

Air King[®]

Ventilation Products

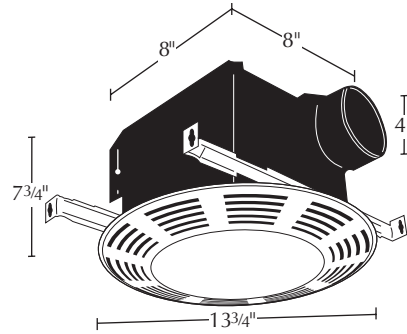
SPECIFICATIONS

AK863FL

EXHAUST FAN WITH LIGHT

100 CFM/3.5 SONES @ 0.10" WG. -HVI CERTIFIED
120 Volts, 1.9 amps, 60 hz.

- Grill**
 White, round polymeric grill secured in place with torsion springs; easily removed if necessary, dimensions - 13³/₄" dia.
- Light Lens**
 Moonstone glass lens, secured in position using 5 philip's head screws.
- Light Housing**
 Heavy gauge cold rolled steel c/w powder coat finish; locks in place on the housing using a wing nut.
- Blower Wheel**
 One piece polymeric wheel, 5¹/₈" diameter, 2³/₈" wide, with 48 fins.
- Motor**
 Heavy duty, permanently split capacitor, plug-in, 4 pole motor, life time lubrication, suitable for continuous operation. Rated 120 volts, 60 hz., 0.80 amps.
- Fan Housing**
 23 ga. painted steel housing, dimensions 8" x 8" x 7³/₄", double metal thickness mounting tabs.
- Duct Collar**
 Plastic collar for 4" duct connection, comes complete with built in non-metallic back draft damper for quiet operation.
- Lamping Information**
 Main Lighting: 26 watt maximum, type PLC, 2 pin quad bulb
 Night Lighting: 7 watt maximum, type C7, Candelabra base bulb



CUL/HVI

Acceptable for use over tub or shower when installed in a GFCI protected branch circuit.

- Unit Mounting**
 Rated Type IC for ceilings insulated to R-40. Designed to mount in ceilings with at least 8" of clearance. The unit has two mounting options 1. directly to the joist using mounting tabs. 2. centered between joists (with 16" centers) using hanging brackets. The housing will mount through drywall thickness up to 3/4", with a rough-in opening of 12³/₄" diameter.
- Ventilating Area**
 For bathrooms up to 100 sq. ft. for other rooms up to 125 sq. ft.
- Single Pack Shipping Info**
 Box Dim Box Dim: 15" x 15" x 10"
 UPC: 0-8316228611-6
 Shipping Weight: 12 lbs.

PERFORMANCE

	Static Pressure (inches of w.g.)								HVI Sones @ .1 SP	Fan Speed RPM	Power Watts
	0	0.05	0.1	0.125	0.15	0.2	0.25	0.3			
Air Flow - CFM	110	105	100	99	95	90	82	78	3.5	2250	170

PROJECT							ARCHITECT				
LOCATION							ENGINEER				
CONTRACTOR							SUBMITTED BY			DATE	
FAN NUMBER	MODEL NUMBER	CFM	IN W.G.	RPM	WATTS	AMPS	SONES	QTY	OPTIONAL EQUIPMENT & REMARKS		



U.S.: 820 Lincoln Drive
 West Chester, Pennsylvania 19380-4466
 Tel: (610) 692-7400 • 877-304-3785
 Fax: (610) 696-8048

Canada: 110 Glidden Road
 Brampton, Ontario L6T 2J3
 Tel: (905) 456-2033
 Fax: (905) 456-1015