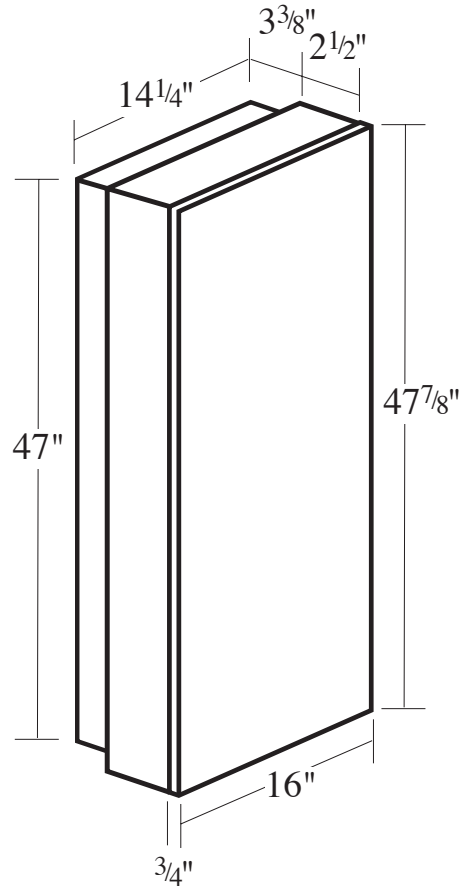


## IRONING CENTER

- Board**  
 Fold away 42" ventilated metal ironing board with silicone treated cover and thick cotton pad. Extends 40 1/2" from wall in the down position.
- Cabinet**  
 Durable metal cabinet with iron storage compartment installs into 16" on center studs.
- Electrical**  
 120 Volt, 60 Hz, 15 amp grounded electrical outlet for plugging iron directly into unit.
- Features**  
 Safety power shut off turns unit off when board is in upright position. 60 minute timed power shut off with power indicator light. 40 watt maximum type R20/30W directional light (bulb not included with unit)
- Door**  
 Included unfinished birch veneer door can be stained or painted.
- Shipping Info**  
 Box Dim: 18 1/4" x 9" x 50 1/4"  
 UPC: 0-8316297000-8  
 Shipping Weight: 53 3/4 lbs.



<b>PROJECT</b>		<b>ARCHITECT</b>	
<b>LOCATION</b>		<b>ENGINEER</b>	
<b>CONTRACTOR</b>		<b>SUBMITTED BY</b>	<b>DATE</b>
<b>MODEL NUMBER</b>	<b>OPTIONAL EQUIPMENT &amp; REMARKS</b>		



U.S.: 820 Lincoln Drive  
 West Chester, Pennsylvania 19380-4466  
 Tel: (610) 692-7400 • 877-304-3785  
 Fax: (610) 696-8048