

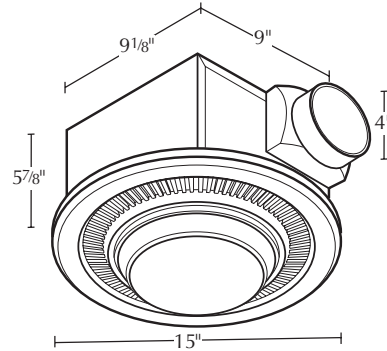
Air King[®]

Ventilation Products

SPECIFICATIONS
DRLC107
 EXHAUST FANS

100 CFM/3.5 SONES @ 0.10" WG. -HVI CERTIFIED
120 Volts, .80 amps, 60 hz.

- **Grill**
Round solid oak grill, 15" diameter grill.
- **Light Lens**
High impact polycarbonate lens, secured in position using integral tabs; easily removed if necessary.
- **Light Housing**
Heavy gauge cold rolled steel c/w baked enamel finish; locks in place on the grill via two integral tabs.
- **Blower Wheel**
One piece polymeric wheel, 5 1/8" diameter, 2 3/8" wide, 48 fins.
- **Motor**
Heavy duty, permanently split capacitor, plug-in, 4 pole motor, life time lubrication, suitable for continuous operation. Rated 120 volts, 60 hz., 0.80 amps.
- **Fan Housing**
23 ga. Galvanized metal housing, dimensions 9 1/8" x 9" x 5 7/8", double metal thickness mounting tabs.
- **Duct Collar**
Plastic collar for 4" duct connection, comes complete with built in non-metallic back draft damper for quiet operation.
- **Lighting**
100 watt maximum, type A19, medium base bulb



CUL/HVI

Acceptable for use over tub or shower when installed in a GFCI protected branch circuit.

- **Unit Mounting**
Rated Type IC for ceilings insulated to R-40. Designed to mount in ceilings with at least 8" of clearance. The unit has two mounting options:
 1. directly to the joist using mounting tabs.
 2. centered between joists (with 16" centers) using hanging brackets. The housing will mount through drywall thickness up to 3/4", with a rough-in opening of 9 3/8" x 9 1/4".
- **Ventilating Area**
For bathrooms up to 90 sq. ft. for other rooms up to 125 sq. ft.
- **Single Pack Shipping Info**
Box Dim: 11 1/2" x 13 1/4" x 9 1/2"
UPC: 0-8316221311-2

PERFORMANCE											
	Static Pressure (inches of w.g.)								HVI Sones @ .1 SP	Fan Speed RPM	Power Watts
	0	0.05	0.1	0.15	0.2	0.25	0.3	0.35			
Air Flow - CFM	110	105	100	99	95	90	82	78	3.5	2250	166

PROJECT					ARCHITECT						
LOCATION					ENGINEER						
CONTRACTOR					SUBMITTED BY					DATE	
FAN NUMBER	MODEL NUMBER	CFM	IN W.G.	RPM	WATTS	AMPS	SONES	QTY	OPTIONAL EQUIPMENT & REMARKS		



U.S.: 820 Lincoln Drive
 West Chester, Pennsylvania 19380-4466
 Tel: (610) 692-7400 • 877-304-3785
 Fax: (610) 696-8048

Canada: 110 Glidden Road
 Brampton, Ontario L6T 2J3
 Tel: (905) 456-2033
 Fax: (905) 456-1015