

MODÈLE

Authorized Service Stations / Centre de Service Autorisé "A" - Fans, Heaters, Humidifiers "D" - Dehumidifiers

ALBERTA					
Calgary (A&D) Fans & Motors Supply 2459-12th St. N.E. Calgary, AB. T2E-6S6	403-245-1332				
(A&D) Humidifier Sales & Service 16 Wellington Place SW Calgary, AB. T3C-3C1 (A&D) Totem Appliance & Refrigeration Ltd.	403-245-1332				
2215 - 27th Avenue N/E Calgary, AB. T2E-7M4	403-248-1828				
Edmonton (A&D) Dorothy's Appliance Centre Inc 6930-104th Street Edmonton, AB. T6H-2L7 (A&D) Tom Moody Co.(Edmonton) Ltd 10565-116th Street Edmonton, AB. T5H-3L8	403-248-1828 780-436-6393 780-428-0265				
BRITISH COLUMBIA					
Burnaby (A) Totem Appliance & Refrigeration 5950 Imperial Street Burnaby, BC. V5J-4M2	604-437-5136				
Chilliwack (A&D) Totem Appliance & Refrigeration 8362 Noble Road Chilliwack, BC. V2P-6R5	604-792-5230				
Fort St. John (A&D) Paragon Refrigeration Ltd 10219-95th Avenue Fort St. John, BC. V1J-1H9	250-785-5771				
Kamloops (A&D) Kamloops Appliance 731 Victoria Street Kamloops, BC. V2C-2B5	250-374-7454				
Kelowna (A) Abtec Appliance Centre Store 1427 Ellis Street Kelowna, BC. V1Y-2A3	250-763-6344				
Koksilah (A&D) Electra Refrigeration & Appliance 5201 Trans Canada Highway Koksilah, BC. V0R-2C0	250-748-2514				
Penticton (A) Abtec Appliance Service Center 661 Main Street Penticton, BC. V2A-5C9	250-493-5079				
Vancouver (A) Alexander McLean & Sons 119-119 West Pender Street Vancouver, BC. V6B-1S5 (A) Do-All Services 2138 Kingsway Vancouver, BC. V5V-3L9	604-685-6816 604-674-6811				
Vernon (A&D) Okanagan Small Appliance Sales & Service 3100-29th Avenue Vernon, BC. V1T-1Z1	250-545-0758				
Victoria (A) A.B.C. Electric 2670 Fifth Street Victoria, BC. V8T-5A8 (A&D) Totem Appliance & Refrigeration #4 - 416 Garbally Road Victoria, BC. V8T-2K1	250-382-7221 250-384-0515				
MANITOBA					
Winnipeg (A&D) Arrow Appliance Service 475 St. Mary's Road Winnipeg, MB. R2M-3K9 (A&D) Factory Outlet Small Appliance 948 St. James Street Winnipeg, MB. R3H-0K3 (A&D) Morris Vacuum & Appliance 207 Fort Street Winnipeg, MB. R3C-1E2	204-233-3385 204-774-1859 204-943-1591				
SASKATCHEWAN					
Prince Albert (A&D) P.A. Electric Service Ltd 129 - 16th Street West Prince Albert, SK. S6V-3V2	306-764-4236				
Regina (A&D) Hometch 866 Victoria Ave East Regina, SK. S4N-0P4	306-352-4030				
Saskatoon (A&D) B & A Appliance Service P.O. Box 1772 Saskatoon, SK. S7M-3S1 (A) Westway Appliance Service Inc 5 - 1622 Ontario Avenue Saskatoon, SK. S7K-1S8	306-653-4744 306-652-1550				
Yorkton (A&D) Bonsal's Appliance Repair Ltd 63 - 7th Avenue South Yorkton, SK. S3N-3V2	306-783-8991				
NEW BRUNSWICK					
Jacksonville (A&D) Valley Refrigeration & Air Conditioning Ltd 33 Kinney Road Jacksonville, NB. E7M-3G1	505-325-2204				
Moncton (A) Co-op Atlantic 114 Price Street Moncton, NB. E1A-3R2 (A) Thornton Appliance 26 Read Street	506-858-6000				
Moncton, NB. E1C-4P4 (A&D) Inventex Inc. 800 Harrisville Blvd. Moncton, NB. E1H-3N4	506-857-3129				
Saint John (A) Daves Electrical 107 Richard Street Saint John, NB. E2J-1C3 (A&D) Richard's Service Central Ltd 218 Waterloo Street Saint John, NB. E2L-3R1 (A) Stirling Electric Ltd 1 Sandy Point Road Saint John, NB. E2K-3R6	506-634-1888 506-652-4410 506-652-1780				
NOVA SCOTIA					
Halifax (A) Bluenose Lighting & Alarm Inc 10 Rufus Avenue Halifax, NS. B3N-2L5	902-443-6600				
Sydney (A&D) Choice Appliance 1430 George Street Sydney, NS. B1P-1P1	902-564-4411				
Windsor Jct (A&D) Hailey's Appliance Repair Ltd 616 Windsor Junction Road Windsor Jct. NS. B2F-1G6	902-861-3672				
PRINCE EDWARD ISLAND					
Alberton (A&D) Ramsay's Appliance Repair P.O. Box 168 Alberton, PEI. C0B-1B0	902-853-2017				
NEWFOUNDLAND					
St. John's (A&D) Appliance Experts 36A Kings Road St. John's, NFLD. A1C-3P1	709-722-6523				
QUEBEC					
Amqui (A&D) Voyer Electrique 1986 Enr 224 Boul St-Benoit Nord. Amqui, PQ. G0J-1B0	418-629-3507				
Brossard (A&D) Centre De Pieces D'Appareils Menager N.D. Inc. 6185 Boul. Taschereau Est Brossard, PQ. J4Z-1A6	514-443-8213				
Chicoutimi (A&D) J. Sirois Electric 2203 Rue Roussel Chicoutimi, PQ. G7G-3W2	418-543-3308				
Cle-Loth (A&D) Services PL. Enr 6483 Principale Ste-Croix P.O. Box 202 Cle-Loth, PQ. G0S-2H0	418-926-3730				
Duparquet (A&D) Gaetan Lacasse Service 1675 RO VII Duparquet, PQ. J0Z-1W0	819-948-2248				
Gatineau (A&D) Cosmo-Tech Service Inc 134 Du Barry St., Gatineau, PQ. J8T 3P1	819-663-4496				
Granby (A&D) Centre De Service Bourgeois 419 Notre Dame Granby, PQ. J2G-3L6	514-372-3121				
Hull (A&D) G/R Pieces D'Appareils Menagers 70 Rue St-Raymond Hull, PQ. J8Y-1S2	819-776-1213				
Laval (A&D) Centre De Pieces D'Appareils 287 De La Cancoerde Laval, PQ. H7G 3E5	450-669-2101				
Longueuil (A&D) R.D. Electric 220 St. Jean Longueuil, PQ. J4H-2X5	514-677-2102				
Montreal (A&D) Inventex Inc 12047 Boul Laurentien Montreal, PQ. H4K-1M8 (A) Laflamme Electrique 1586 Rue Amherst Montreal, PQ. H2L-3L5 (A&D) Centre De Pieces D'Appareils 8000 Boul Pie-ix Montreal, PQ. H1Z-3T3 (A&D) Mr Fix-it Service Centre 4662 Decare Blvd Montreal, PQ. H3X-2H5 (A) Hamelin Electrique Inc 738 East Rue Jarry Montreal, PQ. H2P-1V9	514-334-6790 514-527-9151 514-374-4500 514-484-8332				
Mount-Royal (A&D) Dave's Electrical Service 200 Bates Road Suite 10 Mount-Royal, PQ. H3S-1A3	514-341-0269				
Quebec (A&D) Clement Monfette Service 317 Canardiere Quebec, PQ. G1L-4X2	418-522-5651				
Sherbrooke (A&D) O'Boyle et Duplessis 2618 King Ouest					
Sherbrooke, PQ. J1J-2C2	819-562-2637				
Ste-Foy (A&D) Clément Monfette Service 3291 Chemin Ste-Fox Ste-Foy, PQ. G1X-1F9	418-563-6014				
St. Jerome (A&D) Service Domestique Laurentien 644 Wilfrid Martin St. Jerome, PQ. J2Z-3R6	514-438-4726				
St. Laurent (A&D) Centre De Pieces D'Appareils Menager 314 Rue Benjamin Hudon Ville St. Laurent, PQ. H4N-1J4	514-339-9918				
Theford-Mines (A&D) Lectrol Inc 640 Rue St. Alphonse Ouest Theford-Mines, PQ. G6G-3W8	418-338-4613				
Trois Rivières (A&D) Boutique De La Balayeuse 4130 Boul Des Forges Trois Rivières, PQ. G8Y-1V8	819-374-6890 819-373-4591				
Vanier (A&D) Inventex Inc 1013 Rue Godin Vanier, PQ. G1M-2X5	418-683-1292				
ONTARIO					
Barrie (A) Tony's Power Tool & Vacuum Service 59 Bell Farm Road Barrie, ON. L4M-5G1 (A&D) The Appliance Shack 273 Dunlop Street West Barrie, ON. L4N-1B8	705-726-1142 705-721-1731				
Belleville (A&D) Keith Stein Appliance 161 College Street West Belleville, ON. K8P-2G7 (A&D) Wright Vacuum Sales & Service 46 Frost Road Belleville, ON. K8N-4Z2	613-962-4048 613-966-1249				
Brampton (A&D) Air-King Ltd 110 Gildred Road Brampton, ON. L6T-2J3	905-456-2033				
Brockville (A&D) Electric Appliance Service Centre 5 Park Street Brockville, ON. K6V-2G1	613-342-2532				
Burlington (A) Hartford Electric 2019 Mount Forst Drive Mount Royal Plaza Burlington, ON. L7P-1H4	905-335-5552				
Cambridge (A&D) Freer's Appliance Service & Refrig Inc. 156 Beverly Street Cambridge, ON. N1R-3Z7	519-621-6458				
Carleton Place (A&D) Albert Lackey Sales & Service Inc 1675 RO VII Carleton Place, ON. K7C-1Y4	613-253-5397				
Chatham (A&D) Ron's Small Appliance 208 Queen Street Chatham, ON. N7M-5H1	519-351-8331				
Cornwall (A&D) Currier Repair Service 360 Balmoral Avenue Cornwall, ON. K6H-6K1	613-932-8235				
Ear Falls (A&D) Kennedy Electric 1 Chukukuhi Drive P.O. Box 334 Ear Falls, ON. P0V-1T0	807-222-3245				
Etobicoke Appliance Parts Store 1242 The Queensway Etobicoke, ON. M8Z-6C2	416-255-5050				
Guelph (A&D) Shuh Appliance Service 397 Woodlawn Road West Guelph, ON. N1H-7M1	519-824-4925				
Hamilton (A&D) B.Amann Appliance Service & Parts 692 - 694 King Hamilton, ON. L8M-1A3 (A&D) J & E Small Appliance Sales & Service 407 Whitney Avenue Hamilton, ON. L8S-2H6 (A&D) Chadwick's & Hack's Appliance 828 Fennell Avenue East Hamilton, ON. L8V-1V6	905-527-2008 905-521-2900 905-385-9274				
Huntsville (A&D) J.Schreurs Refrig & Air Conditioning Service P.O. Box 2067 Huntsville, ON. P0A-1K0	705-789-7571				
Keswick (A&D) Northern Appliance 532 The Queensway South Unit 3 Keswick, ON. L4P-2E6	905-476-1314				
Kitchener (A&D) Layton's Small Appliance 56 Francis Street North Kitchener, ON. N2H-5B5	519-745-3514				
London (A&D) Rowlands Appliance 775 Industrial Road London, ON. N5V-3N5	519-451-8220				
Mount Forest (A&D) R.Schmidt Refrigeration					
415 King Street Mount Forest, ON. N0G-2L0	519-323-1621				
Newmarket (A&D) The Appliance Shack 741 Davis Drive Newmarket, ON. L3Y-2R2	905-852-7377				
Niagara Falls (A&D) Crest Hardware 6465 Lundy's Lane Niagara Falls, ON. L2G 1T9	905-357-2940				
North Bay (A&D) Adrien's Appliance Service 1374 Franklin Street North Bay, ON. P1A-2W2	705-474-1755				
Oakville (A&D) Appliance Parts Store 441 Kerr Street Oakville, ON. L6K 3C2	905-645-5050				
Oshawa (A&D) Oshawa Appliance Parts Co Ltd 190 Simcoe Street South Oshawa, ON. L1H-4H1 (A&D) Stef's Appliance Sales & Service 362 French Street Oshawa, ON. L1G 5N7	905-728-7535 905-728-7535				
Ottawa (A&D) Regional Factory Parts & Service 22-J Antares Drive Ottawa, ON. K2E 7Z6	613-820-8606				
Peterborough (A&D) Otomabee TV & Appliance Service 211 Hunter Street West Peterborough, ON. K9H-2L1	705-743-7121				
Richmond Hill (A&D) King Appliance 10220A Yonge Street Richmond Hill, ON. L4C 3B6 (A&D) The Appliance Shack 460 Elgin Mills Road East Unit 34 Richmond Hill, ON.	905-727-5577 905-762-9898				
Rexdale Inventex Inc 181-B Rexdale Blvd Rexdale, ON. M9W-1P7	416-743-3970				
Sarnia (A&D) Keelan's Service Centre 190 Maxwell Street Sarnia, ON. N7T-5C3 (A&D) W.J. Barnes Ltd 116 Talford Street Sarnia, ON. N7T-7J2	519-337-7555 519-332-1770				
Sault-Ste-Marie (A) Greenwood Service Center 72 East Street Sault-Ste-Marie, ON. P6A-3C5	705-254-3801				
St. Catharines (A&D) Garus Home Appliance 124 A Ryker Street St. Catharines, ON. L2S-2B4 (A&D) Sandham Electric 353 St. Paul Street St. Catharines, ON. L2R-3N1	905-682-2066 905-682-9948				
Stratford (A&D) Ellison's Service Centre 192 Wellington Street Stratford, ON. N5A-2L7	519-271-5703				
Sudbury (A&D) Sudbury Appliance Clinic 259 Regent Street South Sudbury, ON. P3C-4C6	705-673-5185				
Thunder Bay (A&D) Mahon Electric Co Ltd 340 Waterloo Street Thunder Bay, ON. P7C-5Y3	807-623-8471				
Timmins (A&D) Gem Electric Motor Service Ltd 151 Wilson Avenue Timmins, ON. P4N-2T2	705-264-0668				
Thornhill (A&D) Yonge Major Appliance 271 Bay Thorn Drive Thornhill, ON. L3T-3V8	905-882-5400				
Toronto (A&D) Petrie TV & Appliance 1667 Weston Road Toronto, ON. M9N 1V3	416-241-2763				
Willowdale (A&D) Sobie's Service Centre 162 Willowdale Avenue Willowdale, ON. M2N-4Y6	416-224-2526				
Windsor (A&D) Demers Appliance Service 4782 Wyandotte Street East Windsor, ON. N8Y-1H7 (A) Richard's Appliance Service 815 Pittette Road Windsor, ON. N8Y-3H7	519-945-6323 519-974-6188				
March 2003					

IMPORTANT INSTRUCTIONS - OPERATING MANUAL



16" WALLMOUNT OSCILLATING FAN MODEL 3016C

This Fan is for residential use only.

It is not intended to be used in commercial, industrial or agricultural settings.



MOUNTING YOUR FAN TO THE WALL

Locate a suitable stud behind the wall. If a stud cannot be found, or if the Fan is to be mounted to a masonry wall, obtain the suitable mounting anchors from a local hardware store. Secure the mounting plate to the wall in the orientation shown above. Store excess cord on the convenient cord wrap located on the back of the Fan body. Slide the assembled Fan onto the mounting plate and plug in.

**READ AND SAVE THESE INSTRUCTIONS
READ CAREFULLY BEFORE ATTEMPTING TO ASSEMBLE,
INSTALL, OPERATE OR MAINTAIN THE PRODUCT DESCRIBED.
PROTECT YOURSELF AND OTHERS BY OBSERVING ALL
SAFETY INFORMATION. FAILURE TO COMPLY WITH
INSTRUCTIONS COULD RESULT IN PERSONAL INJURY AND/OR
PROPERTY DAMAGE!
KEEP INSTRUCTIONS FOR FUTURE REFERENCE.**

SAVE THESE INSTRUCTIONS

⚠ WARNING



GENERAL SAFETY INFORMATION

When using electrical appliances, basic precautions should always be followed to reduce the risk of fire, electrical shock and injury to persons, including the following:

Read all instructions before using this Fan.

1. Make certain the power source conforms to the electrical requirements of the Fan.
2. Make certain that the room is equipped with a working smoke detector.
3. Use this Fan only as described in this manual. Any other use not recommended by the manufacturer may cause fire, electrical shock, or injury to persons.
4. To reduce the risk of personal injury and electric shock, the Fan should not be played with or placed where small children can reach it.
5. Unplug power cord before installing, servicing, or moving the Fan.



⚠ WARNING



DO NOT DEPEND ON THE ON/OFF SWITCH AS THE SOLE MEANS OF DISCONNECTING POWER WHEN SERVICING OR MOVING THE FAN. ALWAYS UNPLUG THE POWER CORD. ALWAYS TURN OFF AND UNPLUG FAN BEFORE LEAVING THE AREA. NEVER LEAVE CHILDREN UNATTENDED WHEN THE FAN IS ON OR PLUGGED IN.

6. This Fan must **NOT** be used in potentially dangerous locations such as flammable, explosive, chemical-laden or wet atmospheres where gasoline, paint or flammable liquids are used or stored.
7. **DO NOT** use Fan in or near a window. Rain may create an electrical hazard.
8. Completely assemble Fan, according to instructions, before connecting to power supply.

⚠ WARNING

This appliance has a polarized plug (one blade is wider than the other). To reduce the risk of electric shock, this plug is intended to fit in a polarized outlet only one way. Match wide blade of plug to wide slot. Fully insert. If the plug does not fit fully in the outlet, reverse the plug. If it still does not fit, contact a qualified electrician. DO NOT attempt to defeat this safety feature.

This plug is a safety feature, to reduce the risk of fire, electric shock and personal injury. DO NOT remove, replace, repair or tamper with the originally supplied plug. If the Fan does not function properly, it may be due to the safety device incorporated in this plug. Return to an authorized service center or call 800-233-0268, Monday - Friday, between 8:00 a.m. and 5:00 p.m. EST. If the plug warning label is missing or damaged, call the toll free number for a replacement label.

9. Where possible, avoid the use of extension cords because the extension cord may overheat and cause a fire. If you must use an extension cord, minimize the risk of overheating by using the shortest cord possible and ensuring that it is UL listed. NEVER use a single extension cord to operate more than one Fan.
10. **NEVER** operate any Fan with a damaged cord or plug or after the Fan malfunctions, has been dropped or damaged in any manner. There are no user serviceable parts. Return Fan to an authorized service facility for examination, electrical or mechanical adjustment or repair.
11. **NEVER** insert or allow fingers or foreign objects to enter any ventilation or exhaust opening as it may cause an electric shock or fire, or damage the Fan. To reduce the risk of fire, **DO NOT** block or tamper with the Fan in any manner while it is in operation.
12. Always place the Fan on a stable, flat, level surface when operating, to avoid the chance of the Fan overturning. Locate the Power Cord so the Fan or other objects are not resting on it. **DO NOT** run Power Cord under carpeting. **DO NOT** cover Power Cord with throw rugs, runners or the like. Arrange Power Cord away from room traffic and where it will not be tripped over.
13. This Fan is not intended for use in wet or damp locations. Never locate a Fan where it may fall into a bathtub or other water container. **NEVER** use Fan where flammable liquids are used or stored.
14. **NEVER** use Fan outdoors.
15. This Fan is not suitable for use in agricultural facilities including areas where livestock, poultry or other animals are confined. Please refer to National Electric Code (NEC) Article 547-7 (2002), or applicable state or local codes or standards relating to electrical requirements for Agricultural Buildings. **THIS FAN DOES NOT MEET THE REQUIREMENTS OF NEC ARTICLE 547-7 (2002).**
16. This Fan is not suitable for use in hazardous locations. Please refer to National Electric Code (NEC) Article 500 or applicable state or local codes or standards relating to electrical requirements for Hazardous locations. **THIS FAN DOES NOT MEET THE REQUIREMENTS OF NEC ARTICLES 500 (2002)**

REDUCE THE RISK OF FIRE OR ELECTRIC SHOCK - DO NOT USE THIS FAN WITH ANY SOLID STATE SPEED CONTROL DEVICES.

SAVE THESE INSTRUCTIONS

MODÈLE 3016C

MAINTENANCE



Pour réduire les risques de choc électrique et d'incendie, veuillez observer les instructions suivantes.



- Toujours débrancher le cordon avant de déplacer, d'effectuer un service ou un nettoyage sur le Ventilateur.
- NE JAMAIS placer le Ventilateur dans l'eau ou près de l'eau.
- Les pièces en plastique se nettoient avec un détergent doux et une éponge humide. Enlever soigneusement le savon à l'eau claire et bien sécher le ventilateur. Poudésassembler, procéder dans l'ordre inverse de l'assemblage.
- NE JAMAIS utiliser d'ALCOOL ou de SOLVANT tel que de l'essence, du benzène, du diluant à peinture, ou autres nettoyeurs forts.



Après avoir nettoyé le Ventilateur tel que recommandé ci-dessus, tous les gardes et couvercles **DOIVENT ÊTRE** replacés avant utilisation. Un manquement à ce faire pourrait résulter en de sérieuses blessures personnelles. (only to be noted where applicable)

SERVICE: Tous les autres services, à l'exception de maintenance générale par l'utilisateur, devraient être effectués par un représentant de service autorisé. Se référer à la page 12 pour l'emplacement de votre centre de maintenance le plus proche.

ENTREPOSAGE: Entreposer le Ventilateur, avec ces instructions, dans son emballage d'origine dans un endroit sec et frais.

LUBRIFICATION: Les roulements de précision sont scellés à l'usine pour la durée de leur vie utile et n'exigent aucune autre lubrification.

GARANTIE LIMITÉE

CE QUI EST COUVERT PAR CETTE GARANTIE : Ce produit est garanti contre les vices de fabrication en main-d'œuvre et/ou en matériaux.

QUELLE EST LA DURÉE DE CETTE GARANTIE : Cette garantie s'étend uniquement à l'acheteur d'origine du produit et dure pour une (1) année de la date d'achat d'origine ou jusqu'à ce que le propriétaire d'origine du produit vende ou transfère le produit, le premier des deux prévalant.

CE QUE AIR KING FERA : Durant la période de garantie, Air King va, à sa seule option, réparer ou remplacer toute pièce ou toutes pièces qui sera (seront) jugée(s) défectueuse(s) ou remplacera le produit complet avec le même modèle ou un modèle comparable.

CE QUE LA GARANTIE NE COUVRE PAS : Cette garantie ne s'applique pas si le produit fut endommagé ou a failli en raison d'un accident, d'une utilisation ou d'une manipulation impropre, dommage lors de l'expédition, abus, mauvais usage, réparations non-autorisées effectuées ou tentées, ou l'usage du produit pour un service commercial ou non-résidentiel. Cette garantie ne couvre pas les frais d'expédition pour le retour de produits à Air King pour réparation ou remplacement. Air King paiera les frais d'expédition encourus par Air King pour vous retourner le produit suivant les réparations ou le remplacement sous garantie.

TOUTE ET TOUTES LES GARANTIES, EXPRESSE OU IMPLICITE (INCLUANT SANS LIMITATION, TOUTE GARANTIE IMPLICITE DE QUALITÉ MARCHANDE), DURE UNE ANNÉE DE LA DATE D'ACHAT D'ORIGINE OU JUSQU'À CE QUE LE PROPRIÉTAIRE D'ORIGINE DU PRODUIT VENDE OU TRANSFÈRE LE PRODUIT, LE PREMIER DES DEUX PRÉVALANT ET EN AUCUN CAS LA RESPONSABILITÉ DE AIR KING SOUS QUELQUE GARANTIE EXPRESSE OU IMPLICITE INCLURE (I) DOMMAGES CONSÉCUTIFS OU INDIRECTS DE TOUTE CAUSE QUELLE QU'ELLE SOIT, OU (II) LE REMPLACEMENT OU LA RÉPARATION DE TOUT FUSIBLE RÉSIDENTIEL, DE TOUT DISJONCTEUR, PRISE DE COURANT OU RÉCEPTACLE. NONOBTANT TOUTE CHOSE CONTRAIRE, EN AUCUN CAS LA RESPONSABILITÉ DE AIR KING SOUS TOUTE GARANTIE EXPRESSE OU IMPLICITE NE DOIT EXCÉDER LE PRIX D'ACHAT DU PRODUIT ET TOUTE RESPONSABILITÉ TELLE DOIT EXPIRER AU MOMENT DE L'EXPIRATION DE LA PÉRIODE DE GARANTIE.

Certains États et provinces ne permettent pas de limitation sur la durée d'une garantie implicite, ou l'exclusion ou la limitation de dommages indirects ou consécutifs, ainsi, ces exclusions ou limitations peuvent ne pas s'appliquer à vous. Cette garantie vous donne certains droits légaux. Vous pouvez aussi avoir d'autres droits qui varient d'un État à l'autre et d'une province à une autre.

Une preuve d'achat est requise avant qu'une réclamation sous garantie soit acceptée.

MODÈLE 3016C

OPÉRATION

1. Retirer soigneusement le Ventilateur de sa boîte et de son emballage plastique. Assembler l'unité selon ces instructions.

AVERTISSEMENT: Les pattes de plastique ou de caoutchouc, comme les pattes de cette unité, peuvent coller sur les surfaces des meubles et/ou sur les planchers de bois franc. L'unité peut laisser un résidu qui pourrait foncer, tacher ou laisser des marques permanentes sur le fini de certaines surfaces de meuble, incluant les surfaces de bois et/ou sur les planchers de bois franc.

2. Brancher le cordon dans une prise à 120 volts.



Assurez-vous que la fiche s'ajuste complètement dans la prise.

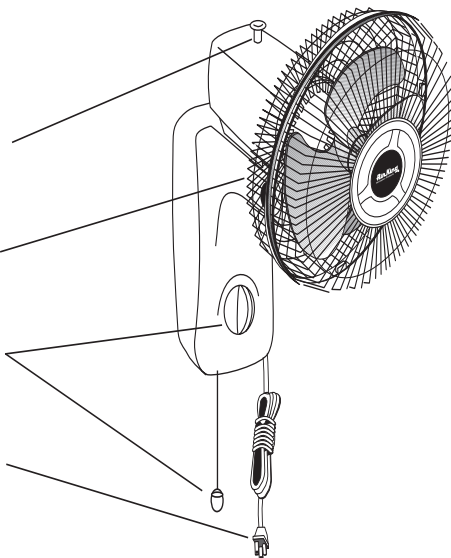


Lorsque les fiches s'ajustent de manière lâche dans les réceptacles, elles peuvent glisser partiellement ou complètement du réceptacle avec simplement un léger mouvement du cordon. Les réceptacles dans cette condition peuvent surchauffer et poser un risque sérieux d'incendie; si recouverts d'une draperie ou d'un tissu, le risque d'incendie est alors plus grand.

3. Après avoir éteint le Ventilateur, débrancher l'unité de la prise de courant.

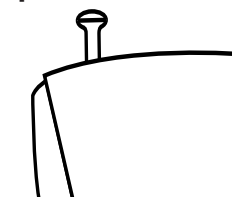
FONCTIONNEMENT

- 1. OSCILLATION :** Tirer **VERS LE HAUT** sur le **BOUTON D'OSCILLATION** situé sur l'arrière du **MOTEUR**. Tourner la **TÊTE DU VENTILATEUR** à gauche, à droite, ou tout droit. Pousser le **BOUTON D'OSCILLATION VERS LE BAS** et le ventilateur oscillera selon l'angle déterminé.
- 2. ANGLE VERTICAL :** Pour régler l'angle vertical, incliner la **TÊTE DU VENTILATEUR** vers le haut et le bas, comme souhaité.
- 3. VITESSE :** La vitesse est commandée soit par la **TIRETTE**, soit par le **BOUTON ROTATIF** situé sur le **CORPS DU VENTILATEUR**.
- 4. CORDON D'ALIMENTATION ÉLECTRIQUE :** Brancher le **CORDON D'ALIMENTATION** sur une prise murale (120 V CA, 60 HZ). Ranger l'excédent de cordon sur l'**ENROULEUR** pratique situé derrière le **CORPS DU VENTILATEUR**.



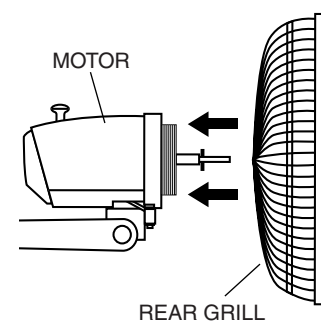
Vers le bas:
oscillation

Vers le haut:
position fixe

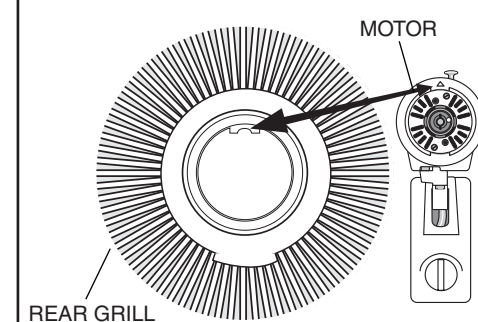


MODEL 3016C

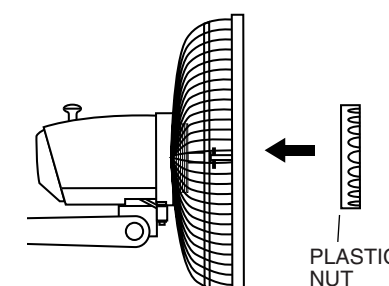
1 Tilt FAN HEAD back. Put REAR GRILL on MOTOR.



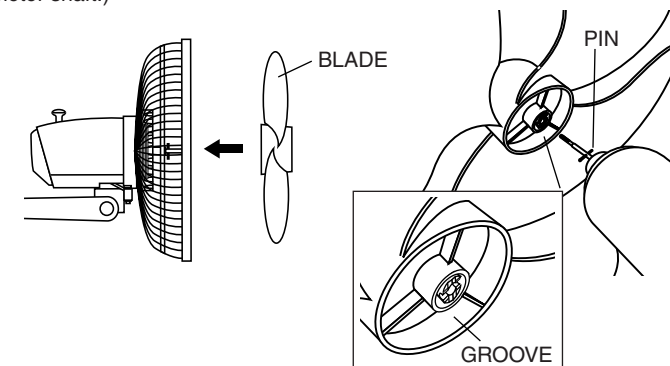
2 Align tab of rear grill with groove on top of front motor cover.



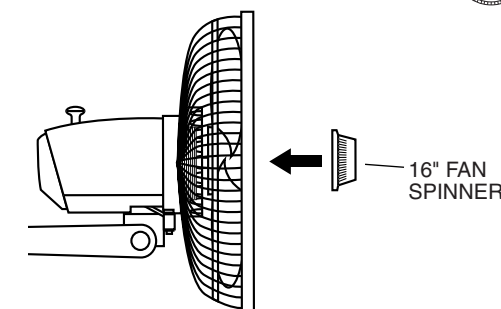
3 Fully seat REAR GRILL and secure with PLASTIC NUT turning **CLOCKWISE**.



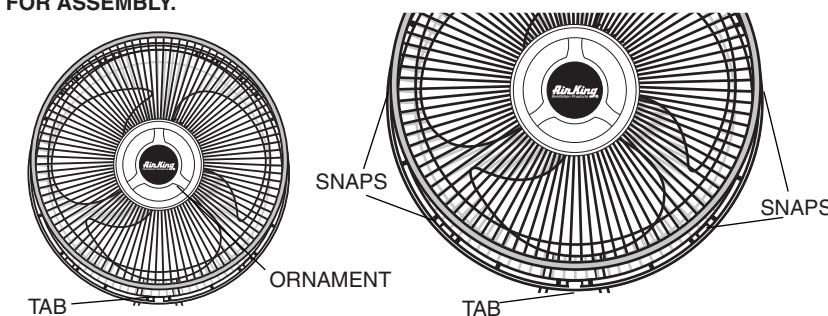
4 Slide BLADE onto MOTOR SHAFT. (Align groove on blade hub with pin on motor shaft.)



5 To secure BLADE, screw SPINNER onto SHAFT **COUNTER CLOCKWISE** until tight on BLADE hub.



6 With Fan Head tilted back and centered, align ORNAMENT of FRONT GRILL so it is horizontal. Insert bottom of FRONT GRILL into REAR GRILL. TAB at the bottom of REAR GRILL should be between two SPOKES of FRONT GRILL. Snap FRONT into REAR beginning at the top and working down both sides. **NO GRILL CLIPS ARE NEEDED FOR ASSEMBLY.**



MODEL 3016C

OPERATION

1. Carefully remove the Fan from the plastic bag and the carton. Assemble unit per these instructions.

CAUTION: Plastic or rubber tabs, like the feet on this unit, may stick to furniture surfaces and/or hardwood floors. The unit may leave a residue that could darken, stain or leave permanent blemishes on the finish of certain furniture surfaces, including wood surfaces, and/or hardwood floors.

2. Plug the cord set into a 120 volt outlet.

⚠ WARNING

Be sure that the plug fits tightly into outlet.

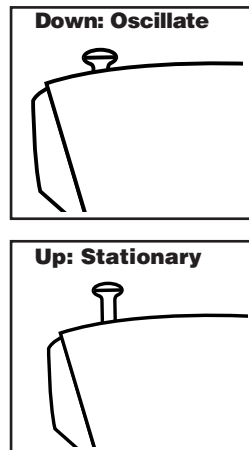
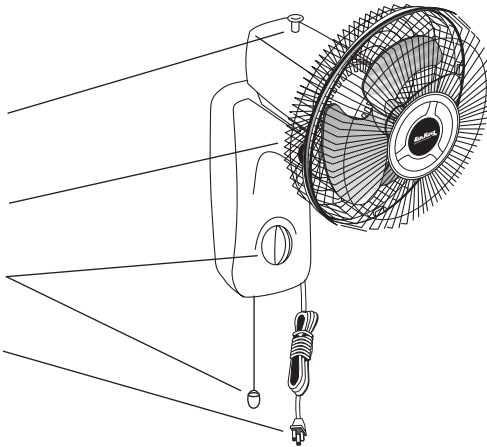


When plugs fit loosely into receptacles, they may slip partially or completely out of the receptacle with only the slight movement of the attached cord. Receptacles in this condition may overheat and pose a serious fire hazard; if covered by a curtain or drape, the fire hazard is even greater.

3. After turning the Fan off, unplug the unit from the electrical outlet.

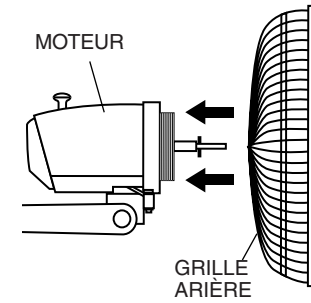
OPERATION

- 1. OSCILLATION:** Pull *UP* on the OSCILLATION KNOB on the rear of the MOTOR. Turn FAN HEAD to left, right, or straight ahead. Push OSCILLATION KNOB *DOWN* and fan will oscillate about the set angle.
- 2. VERTICAL ANGLE:** To adjust vertical angle, tilt FAN HEAD up and down, as desired.
- 3. SPEED:** Speed is controlled by either the PULL CORD or the ROTARY KNOB located on the FAN BODY.
- 4. POWER SUPPLY CORD:** Plug POWER SUPPLY CORD into a wall outlet (120V AC, 60HZ). Store excess CORD on the convenient CORD WRAP located on the back of the FAN BODY.

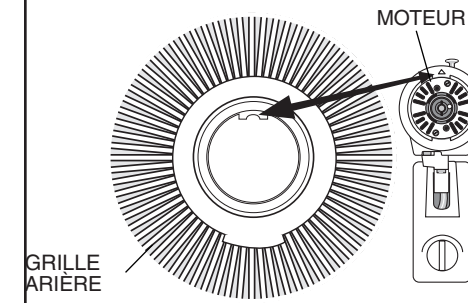


MODÈLE 3016C

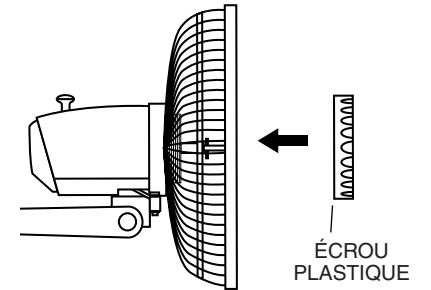
1 Incliner la TÊTE DU VENTILATEUR en arrière. Placer la GRILLE ARRIÈRE sur le MOTEUR.



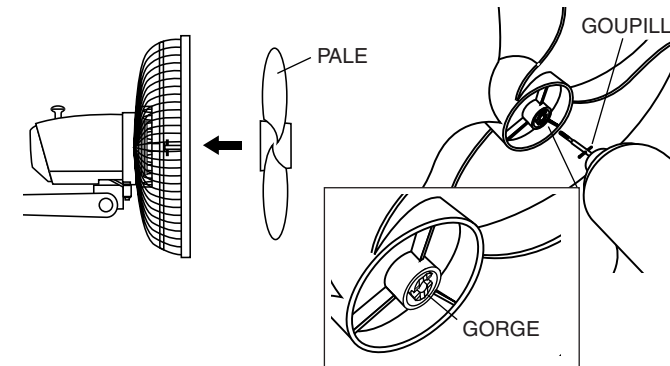
2 Aligner la découpe triangulaire "s" de la GRILLE ARRIÈRE avec le bossage triangulaire situé en haut du couvercle avant du MOTEUR.



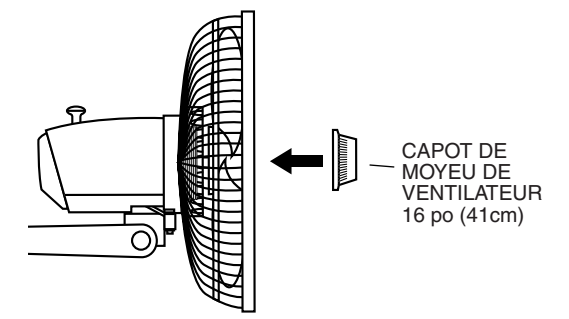
3 Bien caler la GRILLE ARRIÈRE et la fixer avec l'ÉCROU PLASTIQUE en tournant **DANS LE SENS DES AIGUILLES D'UNE**



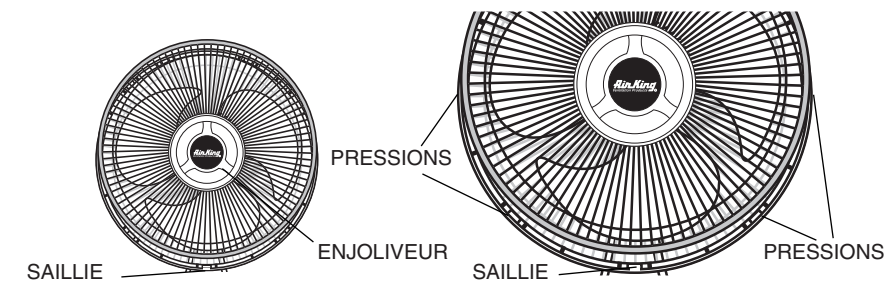
4 Glisser la PALE sur l'ARBRE DU MOTEUR. (Aligner la gorge du moyeu de la pale avec la goupille située sur l'arbre du moteur.)



5 Pour bien fixer la PALE, visser le CAPOT DE MOYEU sur l'ARBRE **DANS LE SENS INVERSE DES AIGUILLES D'UNE MONTRE** jusqu'à ce qu'il soit bien calé sur le moyeu de la PALE.



6 GRILLE AVANT de manière à ce qu'il soit à l'horizontale. Insérer le bas de la GRILLE AVANT dans la GRILLE ARRIÈRE. La SAILLIE au bas de la GRILLE ARRIÈRE doit se trouver entre deux BARRES de la GRILLE AVANT. Encliqueter l'AVANT dans l'ARRIÈRE en commençant par le haut et en descendant des deux côtés. **AUCUN CLIP DE GRILLE N'EST NÉCESSAIRE POUR L'ASSEMBLAGE.**





INFORMATION GÉNÉRALE DE SÉCURITÉ

Lors de l'utilisation d'appareils électriques, des précautions de base doivent toujours être prises pour réduire le risque d'incendie, de choc électrique et de blessure personnelle, incluant ce qui suit :

Lire toutes les instructions avant d'utiliser ce Ventilateur.

1. Assurez-vous que la source d'alimentation est conforme aux exigences électriques du Ventilateur.
2. Assurez-vous que la pièce est équipée d'un détecteur de fumée fonctionnel.
3. Utiliser ce Ventilateur uniquement tel que décrit dans ce manuel. Toute autre utilisation non recommandée par le fabricant peut causer un incendie, un choc électrique, ou des blessures personnelles.
4. Pour réduire le risque de blessure personnelle et de choc électrique, on doit éviter de jouer avec le Ventilateur et de le placer à la portée de jeunes enfants.
5. Débrancher le cordon d'alimentation avant d'installer, de déplacer ou d'effectuer un service sur le Ventilateur.



NE PAS VOUS FIER SEULEMENT DE L'INTERRUPTEUR MARCHE / ARRÊT (ON/OFF) COMME UNIQUE MOYEN DE COUPURE DE L'ALIMENTATION LORS DE DÉPLACEMENT OU DE SERVICE SUR LE VENTILATEUR. TOUJOURS METTRE LE VENTILATEUR À LA POSITION ARRÊT (OFF) ET DÉBRANCHER LE CORDON D'ALIMENTATION AVANT DE QUITTER LE SECTEUR. NE JAMAIS LAISSER LES ENFANTS SANS SURVEILLANCE ALORS QUE LE VENTILATEUR EST EN MARCHÉ OU BRANCHÉ.

6. Ce Ventilateur ne doit PAS être utilisé dans des endroits potentiellement dangereux tels que des atmosphères inflammables, explosifs, chargés en produits chimiques et où de l'essence, de la peinture ou des liquides inflammables sont rangés ou utilisés.
7. NE PAS utiliser le Ventilateur près d'une fenêtre ou dans une fenêtre. La pluie peut causer un risque électrique.
8. Assembler complètement le Ventilateur, conformément aux instructions, avant de brancher à la source d'alimentation. **Cet appareil est muni d'une fiche polarisée (une lame est plus large que l'autre). Pour réduire le risque de choc électrique, cette fiche est conçue pour s'ajuster d'une seule manière à une prise électrique polarisée. 'Apparier la lame large de la fiche à la fente large de la prise. L'insérer complètement. Si la fiche ne s'ajuste pas entièrement à la prise, renverser la fiche. Si elle ne s'ajuste toujours pas, contacter un électricien qualifié. NE PAS tenter de contourner ce dispositif de sécurité.** Cette fiche est un dispositif de sécurité, pour réduire le risque d'incendie, de choc électrique ou de blessure personnelle. NE PAS enlever, remplacer, réparer ou altérer la fiche d'origine. Si le Ventilateur ne fonctionne pas correctement, cela peut être attribuable au dispositif de sécurité incorporé dans cette fiche. Retournez-le à un centre de service autorisé ou appeler au 1-800-233-0268, du lundi au vendredi, entre 8:00 heures et 17:00 heures, heure normale de l'Est. Si l'étiquette d'avertissement de sécurité de la fiche est manquante ou endommagée, appeler au numéro sans frais pour une étiquette de remplacement.
9. Là où cela est possible, éviter d'utiliser des cordons d'extension puisque le cordon d'extension peut surchauffer et causer un incendie. Si vous devez utiliser un cordon d'extension, minimiser les risques de surchauffe en utilisant un cordon d'extension le plus court possible et en vous assurant qu'il soit approuvé UL. NE JAMAIS utiliser un seul cordon d'extension pour alimenter plus d'un Ventilateur.
10. NE JAMAIS opérer de Ventilateur avec une fiche ou un cordon endommagé ou après une défectuosité du Ventilateur, après qu'il soit tombé ou qu'il ait été endommagé de quelque manière. Il n'y a aucune pièce sur laquelle un service puisse être effectué par l'utilisateur. Retourner le Ventilateur à un établissement de service autorisé pour examen, pour ajustement ou réparation mécanique ou électrique.
11. NE JAMAIS insérer ou permettre aux doigts ou objets étrangers d'entrer dans toute ouverture de ventilation ou d'évacuation car cela peut causer un incendie ou un choc électrique ou endommager le Ventilateur. Pour réduire le risque d'incendie, NE PAS bloquer ou altérer le Ventilateur d'aucune manière alors qu'il est en opération.
12. Toujours placer le Ventilateur sur une surface stable, plane et à niveau lors de l'opération, pour éviter la possibilité de renversement du Ventilateur. Localiser le Cordon d'alimentation afin que le Ventilateur ou tout autre objet ne repose pas sur celui-ci. NE PAS faire courir le Cordon d'alimentation sous les tapis. NE PAS recouvrir le Cordon d'alimentation avec des carpettes, des tapis d'escalier ou autre semblable. Placer le Cordon d'alimentation éloigné du trafic de la pièce et là où on ne peut passer par-dessus.
13. Ce Ventilateur n'est pas conçu pour utilisation dans des emplacements humides ou mouillés. Ne jamais placer un Ventilateur là où il pourrait tomber dans la baignoire ou dans un autre contenant d'eau. NE JAMAIS utiliser le Ventilateur dans un endroit où des liquides inflammables sont utilisés ou entreposés.
14. NE JAMAIS utiliser le Ventilateur à l'extérieur.
15. Ce Ventilateur n'est pas convenable pour utilisation dans des installations agricoles incluant les endroits où le bétail, la volaille ou d'autres animaux sont confinés. Veuillez vous référer à l'article 547-7 (2002) du Code Electrique National (NEC), ou aux normes ou codes locaux ou d'État pertinents aux exigences électriques pour les bâtiments agricoles. **CE VENTILATEUR NE RENCONTRE PAS LES EXIGENCES DE L'ARTICLE 547-7 (2002) DU CODE ELECTRIQUE NATIONAL (NEC)**
16. Ce Ventilateur n'est pas convenable pour utilisation dans les endroits dangereux. Veuillez vous référer à l'article 500 du Code Electrique National (NEC), ou aux normes ou codes locaux ou d'État pertinents aux exigences électriques pour les endroits dangereux. **CE VENTILATEUR NE RENCONTRE PAS LES EXIGENCES DE L'ARTICLE 500 (2002) DU CODE ELECTRIQUE NATIONAL (NEC)**

RÉDUISEZ LES RISQUES D'INCENDIE OU DE CHOC ÉLECTRIQUE – NE PAS UTILISER CE VENTILATEUR AVEC QUELQUE DISPOSITIF ÉLECTRONIQUE DE CONTRÔLE DE VITESSE.

CONSERVER CES INSTRUCTIONS

MODEL 3016C

MAINTENANCE

⚠ WARNING



⚠ WARNING



- Always unplug the cord before moving, servicing or cleaning.
- NEVER place the Fan in or near water.
- Plastic parts should be cleaned with mild soap and a damp sponge. Thoroughly remove soap film with clean water and dry Fan completely. To disassemble, reverse order of assembly.
- NEVER use ALCOHOL or SOLVENTS such as gasoline, benzene, paint thinner, or other harsh cleaners.

After cleaning the Fan as recommended above, all guards and covers MUST BE replaced before use. Failure to do so could result in serious personal injury.

SERVICING: All other servicing, with the exception of general user-maintenance, should be performed by an authorized service representative. Refer to page 6 for the location of your nearest service center.

STORAGE: Store the Fan with these instructions, in the original carton in a cool, dry place.

LUBRICATION: Precision bearings are sealed at the factory for life and will not require any further lubrication.

LIMITED WARRANTY

WHAT THIS WARRANTY COVERS: This product is warranted against defects in workmanship and/or materials.

HOW LONG THIS WARRANTY LASTS: This warranty extends only to the original purchaser of the product and lasts for one 1 year from the date of original purchase or until the original purchaser of the product sells or transfers the product, whichever first occurs.

WHAT AIR KING WILL DO: During the warranty period, Air King will, at its sole option, repair or replace any part or parts that prove to be defective or replace the whole product with the same or comparable model.

WHAT THIS WARRANTY DOES NOT COVER: This warranty does not apply if the product was damaged or failed because of accident, improper handling or operation, shipping damage, abuse, misuse, unauthorized repairs made or attempted, or the use of the product for commercial or nonresidential service. This warranty does not cover shipping costs for the return of products to Air King for repair or replacement. Air King will pay return shipping charges from Air King following warranty repairs or replacement

ANY AND ALL WARRANTIES, EXPRESSED OR IMPLIED (INCLUDING, WITHOUT LIMITATION, ANY IMPLIED WARRANTY OF MERCHANTABILITY), LAST ONE YEAR FROM THE DATE OF ORIGINAL PURCHASE OR UNTIL THE ORIGINAL PURCHASER OF THE PRODUCT SELLS OR TRANSFERS THE PRODUCT, WHICHEVER FIRST OCCURS AND IN NO EVENT SHALL AIR KING'S LIABILITY UNDER ANY EXPRESS OR IMPLIED WARRANTY INCLUDE (I) INCIDENTAL OR CONSEQUENTIAL DAMAGES FROM ANY CAUSE WHATSOEVER, OR (II) REPLACEMENT OR REPAIR OF ANY HOUSE FUSES, CIRCUIT BREAKERS OR RECEPTACLES. NOTWITHSTANDING ANYTHING TO THE CONTRARY, IN NO EVENT SHALL AIR KING'S LIABILITY UNDER ANY EXPRESS OR IMPLIED WARRANTY EXCEED THE PURCHASE PRICE OF THE PRODUCT AND ANY SUCH LIABILITY SHALL TERMINATE UPON THE EXPIRATION OF THE WARRANTY PERIOD.

Some states and provinces do not allow limitations on how long an implied warranty lasts, or the exclusion or limitation of incidental or consequential damages, so these exclusions or limitations may not apply to you. This warranty gives you specific legal rights. You may also have other rights which vary from state to state and province to province.

Proof of purchase is required before a warranty claim will be accepted.

