



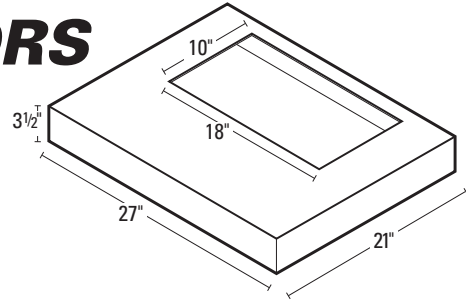
SPECIFICATIONS  
**LINERS**  
 RANGE HOODS

**Power Unit Insert Liners**

• **Dimensions**

- HL30RS:** Overall bottom projection - 27"  
 Overall top projection - 21"  
 Height - 3 1/2"
- HL28RS:** Overall width - 28.5"  
 Overall depth - 21"  
 Height - 3 1/2"
- HL362RS:** Overall width - 33"  
 Overall depth - 21"  
 Height - 3 1/2"

**HL30RS**



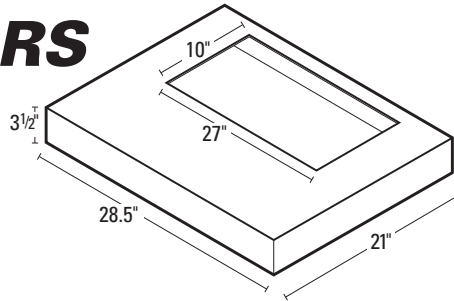
• **Body**

24 Gauge Stainless Steel

• **Power Unit Opening**

- HL30RS:** 18"W x 10"D
- HL28RS:** 27"W x 10"D
- HL362RS:** 30"W x 10"D

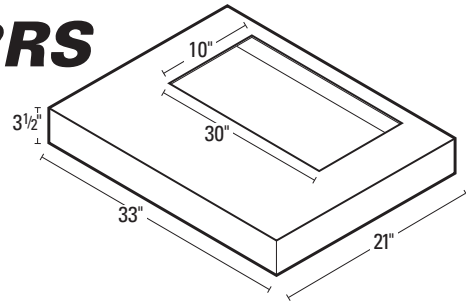
**HL28RS**



• **Usage**

- HL30RS:** SEV24S, SEV24AB
- HL28RS:** SEV28S, ESSEV28, SEV28AB
- HL362RS:** SEV30S, ESSEV30

**HL362RS**



<b>PROJECT</b>							<b>ARCHITECT</b>			
<b>LOCATION</b>							<b>ENGINEER</b>			
<b>CONTRACTOR</b>							<b>SUBMITTED BY</b>			<b>DATE</b>
<b>FAN NUMBER</b>	<b>MODEL NUMBER</b>	<b>CFM</b>	<b>IN W.C.</b>	<b>RPM</b>	<b>WATTS</b>	<b>AMPS</b>	<b>SONES</b>	<b>QTY</b>	<b>OPTIONAL EQUIPMENT &amp; REMARKS</b>	

**U.S.:** West Chester, PA 19380  
 Phone: (877) 304-3785  
 Fax: (610) 696-8048  
 Email: sales@airkinglimited.com

**Canada:** Brampton, Ontario L6T 2J3  
 Phone: (905) 456-2033  
 Fax: (905) 456-1015  
 Email: casales@airkinglimited.com