



SPECIFICATIONS  
**PROFESSIONAL  
 LINERS**  
 INSERT LINERS

**Professional Series Insert Liners**

• **Dimensions**

**HL36PIN:** Overall width - 34.5"  
 Overall depth -24"  
 Height - 3.92"

**HL42PIN:** Overall width - 40.5"  
 Overall depth -24"  
 Height - 3.92"

**HL48PIN:** Overall width - 46.5"  
 Overall depth -24"  
 Height - 3.92"

**HL54PIN:** Overall width - 52.5"  
 Overall depth -24"  
 Height - 3.92"

**HL60PIN:** Overall width - 58.5"  
 Overall depth -24"  
 Height - 3.92"

• **Body**

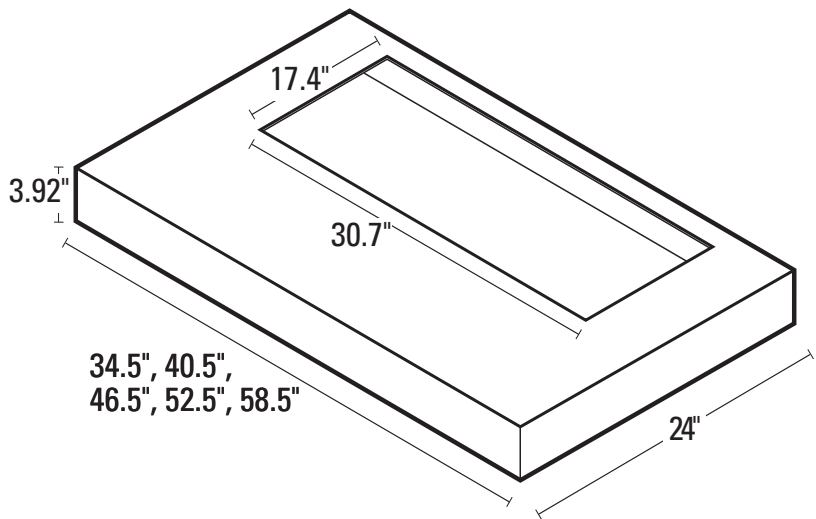
24 Gauge Stainless Steel

• **Power Unit Opening**

30.7"W x 17.4"D

• **Usage**

PIN300, PIN500, PIN600, PIN900, PIN1200



<b>PROJECT</b>							<b>ARCHITECT</b>		
<b>LOCATION</b>							<b>ENGINEER</b>		
<b>CONTRACTOR</b>							<b>SUBMITTED BY</b>		<b>DATE</b>
<b>FAN NUMBER</b>	<b>MODEL NUMBER</b>	<b>CFM</b>	<b>IN W.C.</b>	<b>RPM</b>	<b>WATTS</b>	<b>AMPS</b>	<b>SONES</b>	<b>QTY</b>	<b>OPTIONAL EQUIPMENT &amp; REMARKS</b>

**U.S.:** 820 Lincoln Avenue  
 West Chester, Pennsylvania 19380-4466  
 Tel: (610) 692-7400 • 877-304-3785  
 Fax: (610) 696-8048

**Canada:** 8 Edvac Drive  
 Brampton, Ontario L6S 5P2  
 Tel: (905) 456-2033  
 Fax: (905) 456-1015