

IMPORTANT INSTRUCTIONS - OPERATING MANUAL



20" / 24" / 30" NON-OSCILLATING HEAD ASSEMBLY

MODEL 9120H, 9124H, 9130H, 9170H, 9171H

24" / 30" OSCILLATING HEAD ASSEMBLY

MODEL 9125H, 9135H, 9174H, 9175H

READ AND SAVE THESE INSTRUCTIONS

READ CAREFULLY BEFORE ATTEMPTING TO ASSEMBLE, INSTALL, OPERATE OR MAINTAIN THE PRODUCT DESCRIBED. PROTECT YOURSELF AND OTHERS BY OBSERVING ALL SAFETY INFORMATION. FAILURE TO COMPLY WITH INSTRUCTIONS COULD RESULT IN PERSONAL INJURY AND/OR PROPERTY DAMAGE!
RETAIN INSTRUCTIONS FOR FUTURE REFERENCE.

CAUTION: TO REDUCE THE RISK OF FIRE, ELECTRICAL SHOCK OR PERSONAL INJURY, ONLY USE WITH ONE OF THE FOLLOWING AIR KING MODELS; 9100PB, 9100WC, 9100CM, 9100WB, 9100I.

PRODUCT USAGE

To complete this Air King High Velocity Head Assembly use any of the following Air King products:

Model # 9100PB - Pedestal and Base Kit

Model # 9100WC - Wall Mount Kit

Model # 9100CM - Ceiling Mount Kit

Model # 9100WB - Wheel Kit

Model # 9100I - I-Beam Kit

See Related Product For Assembly Attachment Instructions.

GENERAL SAFETY INFORMATION

1. Read all instructions before using Fan.
2. Make certain that the power source conforms to the electrical requirements of the Fan.
3. Use this Fan only as described in this manual. Any other use not recommended by the manufacturer may cause fire, electrical shock, or injury to persons.
4. To reduce the risk of personal injury and electric shock, the Fan should not be played with or placed where small children can reach it.
5. Unplug power cord before servicing, or moving the Fan.

WARNING: DO NOT DEPEND UPON THE ON-OFF SWITCH AS THE SOLE MEANS OF DISCONNECTING POWER WHEN INSTALLING OR SERVICING THE FAN. ALWAYS UNPLUG THE POWER CORD.

6. This Fan must NOT be used in potentially dangerous locations such as flammable, explosive, chemical-laden or wet atmospheres.
7. DO NOT use Fan in or near a window. Rain may create an electrical hazard.
8. Completely reassemble Fan, according to instructions, before reconnecting to power supply.
9. The power cord is equipped with a three-prong grounded plug that must be inserted into a matching receptacle. Under no circumstances must the grounding prong be cut off the plug. Where a two-prong wall receptacle is encountered, it must be replaced with a properly grounded three-prong receptacle installed in accordance with the National Electrical Code (NEC) and all applicable local codes and ordinances. This work must be done only by a qualified electrician, using copper wire only.

WARNING: USE OF A THREE-PRONG TO TWO-PRONG ADAPTER IS NOT RECOMMENDED. IMPROPER CONNECTION MAY CREATE THE RISK OF ELECTROCUTION. USE OF SUCH ADAPTERS ARE NOT PERMITTED IN CANADA.

10. Where possible, avoid the use of extension cords. If they must be used, minimize the risk of overheating by ensuring that they are UL listed. Never use a single extension cord to operate more than one Fan.
11. Do not operate any Fan with a damaged cord or plug or after the Fan malfunctions, has been dropped or damaged in any manner. Return Fan to authorized service facility for examination, electrical or mechanical adjustment or repair.
12. Do not insert or allow fingers or foreign objects to enter any ventilation or exhaust opening as it may cause an electric shock or fire, or damage the Fan. Do not block or tamper with the Fan in any manner while it is in operation.
13. Always place the Fan on a stable, flat, level surface when operating, to avoid the chance of the Fan overturning. Locate the Power Cord so the Fan or other objects are not resting on it. Do not run Power Cord under carpeting. Do not cover Power Cord with throw rugs, runners, or the like. Arrange Power Cord away from room traffic and where it will not be tripped over.
14. This Fan is not intended for use in wet or damp locations. Never locate a Fan where it may fall into a bathtub or other water container.
15. Do not use Fan outdoors.

WARNING: REDUCE THE RISK OF FIRE OR ELECTRIC SHOCK – DO NOT USE THIS FAN WITH ANY SOLID STATE SPEED CONTROL DEVICES.

CAUTION: BECAUSE OF THE SIZE AND WEIGHT OF THIS FAN, MAKE SURE ALL PARTS ARE COMPLETELY ASSEMBLED ACCORDING TO INSTRUCTIONS. FAILURE TO DO SO COULD RESULT IN FAN COMING APART DURING OPERATION AND/OR PERSONAL INJURY.

SAVE THESE INSTRUCTIONS

OPERATING INSTRUCTIONS

To Operate: Plug cord into a grounded 120V, 60Hz outlet. Select desired operating speed with Pull Cord on the rear of the Motor:

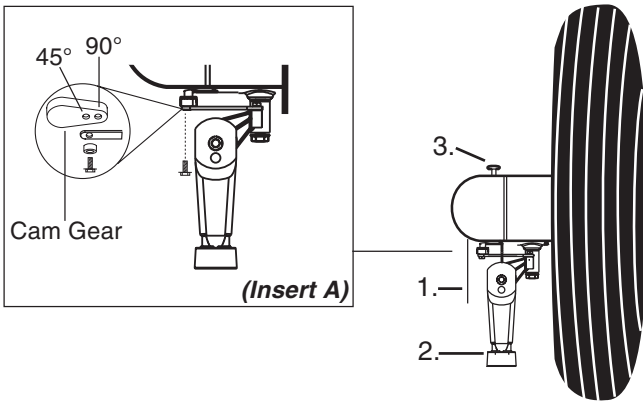
First pull: High Second pull: Medium
Third pull: Low Fourth pull: OFF

NOTE: This Fan is very heavy. Failure to securely hold onto Head Assembly while adjusting Head Angle or Fan Height could result in personal injury.

FOR OSCILLATING MODELS:

Oscillation: Push down oscillation knob on motor housing to make fan head move from side to side.

NOTE: FAN IS SHIPPED WITH 90° OSCILLATION ANGLE, FOR 45° OSCILLATION ANGLE, CONNECT THE OSCILLATION LINK TO THE INNERMOST HOLE IN THE CAM GEAR. **(Insert A)**



CAUTION: TO REDUCE THE RISK OF FIRE, ELECTRICAL SHOCK OR PERSONAL INJURY, ONLY USE WITH ONE OF THE FOLLOWING AIR KING MODELS; 9100PB, 9100WC, 9100CM, 9100WB, 9100I.

MAINTENANCE

WARNING: ALWAYS UNPLUG THE CORD BEFORE MOVING OR SERVICING.

WARNING: DO NOT IMMERSE FAN IN WATER!

CLEANING: Use a soft cloth and mild soap solution such as liquid dish washing detergent. Dry all parts completely before reconnecting to power supply.

CAUTION: Do not use gasoline, benzene, thinner, harsh cleaners, etc. as they will damage the Fan. NEVER use ALCOHOL OR SOLVENTS.

SERVICING: All other servicing, with the exception of general user maintenance, should be performed by an authorized service representative. Call 1-800-233-0268, Monday through Friday, between the hours of 8:00 a.m. and 5:00 p.m. for the location of your nearest service center.

LUBRICATION: Precision bearings are sealed at the factory for life and do not require further lubrication.

STORAGE: Store the Fan, with these instructions, in a clean and dry place.

LIMITED WARRANTY

AIRKING THREE-YEAR LIMITED WARRANTY. Products are warranted by AirKing to the original user against defects in workmanship or materials under normal use for three years on the motor and one year on all other parts, after date of purchase. Any part which is determined by AirKing to be defective in material or workmanship and returned to an authorized service location, as AirKing designates, shipping costs prepaid, will be, as the exclusive remedy, repaired or replaced at AirKing's option. For limited warranty claim procedures, see PROMPT DISPOSITION below. This limited warranty gives purchasers specific legal rights which vary from state to state.

LIMITATION OF LIABILITY. To the extent allowable under applicable law, AirKing's liability for consequential and incidental damages is expressly disclaimed. AirKing's liability in all events is limited to, and shall not exceed, the purchase price.

WARRANTY DISCLAIMER. AirKing has made a diligent effort to illustrate and describe the products in this literature accurately; however, such illustrations and descriptions are for the sole purpose of identification, and do not express or imply a warranty that the products are merchantable, or fit a particular purpose, or that the products will necessarily conform to the illustrations or descriptions.

Except as provided below, no warranty or affirmation of fact, expressed or implied, other than as stated in "LIMITED WARRANTY" above is made or authorized by AirKing.

PRODUCT SUITABILITY. Many states and locations have codes and regulations governing sales, construction, installation, and/or use of products for certain purposes, which may vary from those in neighboring areas. While AirKing attempts to assure that its products comply with such codes, it cannot guarantee compliance, and cannot be responsible for how the product is installed or used. Before purchase and use of a product, please review the product application, and national and local codes and regulations, and be sure that the product, installation, and use will comply with them.

Certain aspects of disclaimers are not applicable to consumer products; e.g., (a) some states do not allow the exclusion or limitation of incidental or consequential damages, so the above limitation or exclusion may not apply to you; (b) also, some states do not allow limitations on how long an implied warranty lasts, consequently the above limitation may not apply to you; and (c) by law, the period of the Limited Warranty, and implied warranties of merchantability or fitness for a particular purpose applicable to consumer products purchased by consumers, may not be excluded or otherwise disclaimed.

PROMPT DISPOSITION. AirKing will make a good faith effort for prompt correction or other adjustment with respect to any product which proves to be defective within limited warranty. For any product believed to be defective within limited warranty, first write or call dealer from whom product was purchased. Dealer will give additional directions.

FOR PARTS:

Check package contents. If parts are missing, or replacement parts required, please call our **PARTS DEPARTMENT TOLL-FREE AT 1-800-233-0268. MONDAY THROUGH FRIDAY, BETWEEN THE HOURS OF 8 AM AND 4 PM EST.**

"PLEASE DO NOT RETURN PRODUCT TO PLACE OF PURCHASE."

Reference the type and style of product (located on the underside of the product) when you call.

FOR TECHNICAL ASSISTANCE and SERVICE CENTER LOCATIONS:

For any questions, comments or the location of your nearest service center,

PLEASE CALL OUR TOLL-FREE "HOTLINE" AT 1-800-233-0268.

MONDAY THROUGH FRIDAY, BETWEEN THE HOURS OF 8 AM AND 5 PM EST.

Please reference product name and model no. when you call.

Appliance Service Dept. • P.O. Box 569 Franklin, TN 37064

PLEASE DO NOT SEND PRODUCT TO THIS LOCATION!