

OPERATING INSTRUCTIONS & PARTS MANUAL

Air King
Ventilation Products®

20" I-BEAM MOUNT FAN 20" (50.8 cm) MODEL 9520

READ AND SAVE THESE INSTRUCTIONS

READ CAREFULLY BEFORE ATTEMPTING TO ASSEMBLE, INSTALL, OPERATE OR MAINTAIN THE PRODUCT DESCRIBED. PROTECT YOURSELF AND OTHERS BY OBSERVING ALL SAFETY INFORMATION. FAILURE TO COMPLY WITH INSTRUCTIONS COULD RESULT IN PERSONAL INJURY AND/OR PROPERTY DAMAGE!
RETAIN INSTRUCTIONS FOR FUTURE REFERENCE.

DESCRIPTION

The Air King® 20" (50.8 cm) I-Beam mount fan features 3-speed pull cord operation and a 3-paddle fan blade. This fan has a permanently lubricated motor with a 9 ft. (2.74 m) 18/3 cord set and is constructed of sturdy, powder coated steel.

SPECIFICATIONS

Motor 120 V, 50/60 Hz
Blade diameter 20" (50.8 cm) Model 9520
Speeds 3
Control Pull Cord
Air flow distribution 360°
Approvals UL/ETL Listed. Close mesh fan guard meets OSHA requirements.

MODEL	9520		
SPEED	HIGH	MED	LOW
CFM	7510	5010	3735
M³/s	3.54	2.36	1.76
RPM	1560	1041	776
Amps	1.78	1.46	1.02
Watts	207	167	115
dB A	62	55	48

GENERAL SAFETY INFORMATION

1. Make certain that the power source conforms to the electrical requirements of the fan.
2. The power cord is equipped with a three-prong grounded plug that must be inserted into a matching receptacle. Under no circumstances should the grounding prong be cut off the plug. Where a two-prong wall receptacle is encountered, it must be replaced with a properly grounded three-prong receptacle installed in accordance with the National Electrical Code (NEC) and all applicable local codes and ordinances. This work must be done only by a qualified electrician, using copper wire only.

WARNING: USE OF A THREE-PRONG TO TWO-PRONG ADAPTER IS NOT RECOMMENDED. IMPROPER CONNECTION MAY CREATE THE RISK OF ELECTRICAL SHOCK. USE OF SUCH ADAPTERS IS NOT PERMITTED IN CANADA.

3. Where possible, avoid the use of extension cords. If they must be used, minimize the risk of overheating by ensuring that they are UL listed and of the proper gauge and length. Never use a single extension cord to operate more than one fan.
4. Do not insert fingers or foreign objects into the fan. Do not block or tamper with the fan in any manner while it is in operation. Do not touch the fan while in operation or just after it has been turned off, as some parts may be hot enough to cause injury.
5. Unplug power cord before installing or servicing the fan.

WARNING: DO NOT DEPEND UPON THE ON-OFF SWITCH AS THE SOLE MEANS OF DISCONNECTING POWER WHEN INSTALLING OR SERVICING THE FAN. ALWAYS UNPLUG THE POWER CORD.

6. This fan is intended for general use ONLY. It must NOT be used in potentially dangerous locations such as flammable, explosive, chemical laden or wet atmospheres.
7. DO NOT mount fan near windows or bay doors. Rain may create an electrical hazard.
8. Completely reassemble fan, according to instructions before reconnecting to power supply.

WARNING: TO REDUCE THE RISK OF FIRE OR ELECTRIC SHOCK, DO NOT USE THIS FAN WITH ANY SOLID STATE SPEED CONTROL DEVICE.

WARNING: THIS PLUG IS A SAFETY FEATURE, TO REDUCE THE RISK OF FIRE, ELECTRIC SHOCK AND PERSONAL INJURY. DO NOT REMOVE, REPLACE, REPAIR OR TAMPER WITH THE ORIGINALLY SUPPLIED PLUG. IF THE FAN DOES NOT FUNCTION PROPERLY, IT MAY BE DUE TO THE SAFETY DEVICE INCORPORATED IN THIS PLUG. RETURN TO AN AUTHORIZED SERVICE CENTER OR CALL 800-233-0268, MONDAY - FRIDAY, BETWEEN 8:00 A.M. AND 5:00 P.M. EST. IF THE PLUG WARNING LABEL IS MISSING OR DAMAGED, CALL THE TOLL FREE NUMBER FOR A REPLACEMENT LABEL.

9. This Fan is not suitable for use in hazardous locations. Please refer to National Electric Code (NEC) Article 500 or applicable state or local codes or standards relating to electrical requirements for Hazardous locations. **THIS FAN DOES NOT MEET THE REQUIREMENTS OF NEC ARTICLE 500 (2002).**

Commercial Style Fan

WARNING: This fan should be used only in a clean, dry environment. Mounting of this product in any way other than specified in the instruction sheet will null and void the manufacturer's warranty.

WARNING: BECAUSE OF SIZE AND WEIGHT OF THIS FAN, MAKE SURE ALL PARTS ARE COMPLETELY ASSEMBLED ACCORDING TO INSTRUCTIONS. FAILURE TO DO SO COULD RESULT IN FAN COMING APART DURING OPERATION AND/OR PERSONAL INJURY.

I-BEAM MOUNT INSTALLATION

1. Locate the L-shaped pipe to the desired location on the I-Beam flange. Install the 5/16 x 2" U-Bolt over the pipe and through the clamping plate holes. The flat part of the clamping plate fits on the I-Beam flange and the end with the slight bend goes against the pipe. Install flat washer, lock washer and nuts. Finger tighten the nuts on the U-Bolt. (**Figure 1**)
2. Slide the clamping plate onto I-Beam flange until U-Bolts contact flange.
3. Adjust L-shaped pipe so forward clamp plate is as close to the label at the bend as possible.
4. Tighten nuts on bolt so pipe does not move.
5. Screw on the adapter mount as far as it will go on to the L-shaped pipe. Tighten set screw in pipe coupling with provided allen key.
6. Align Yoke with grill mounting threads. Loosely attach one Grill Knob and one Rubber Spacer to the Head Assembly. Attach the other Grill Knob and Rubber Spacer to the Head Assembly and FIRMLY tighten. Return to the first Grill Knob and FIRMLY tighten. (**Figure 2**)

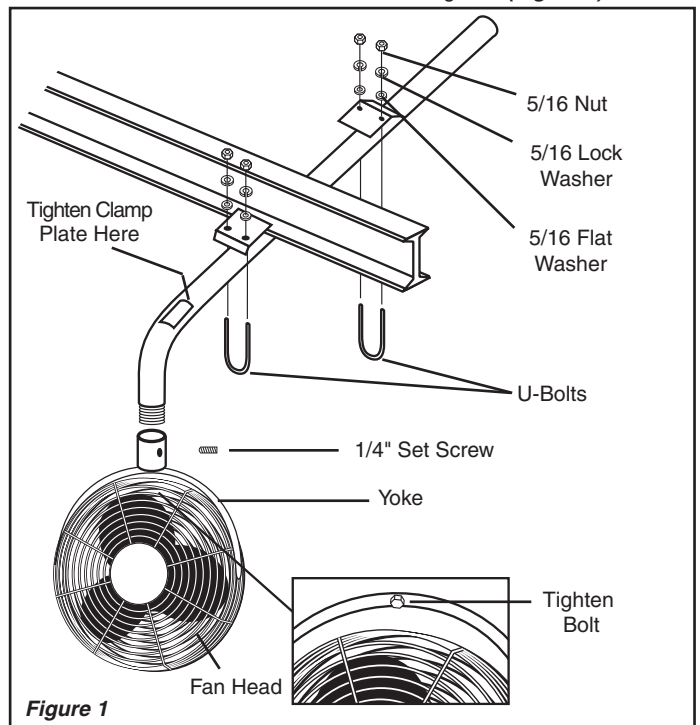


Figure 1

MODEL 9520

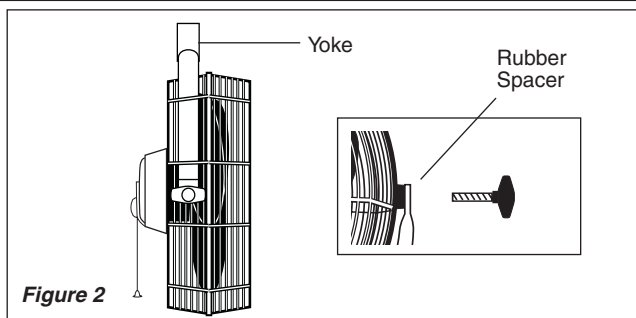


Figure 2

CAUTION: THE SECONDARY SUPPORT CABLE PROVIDED SHOULD BE USED ANYTIME THE CIRCULATOR IS MOUNTED OVERHEAD FOR ADDITIONAL SAFETY.

SECONDARY SUPPORT CABLE

1. Loop one end of Cable around the Large Diameter Wires of both the Front and Rear Circulator Guard. (Figure 4)
2. Attach a Cable Clamp with the "U" on the tail side of the loop leaving a tail approximately 1 to 2 inches. Tighten Clamp Nuts. Make sure no part of the Cable interferes with the Blade. (Figure 4)
3. Wrap the other end of the Cable around a secure building joist, truss, I-Beam or other support near the Fan. Do not attach cable to I-Beam mount pipe. (Figure 3) Take up all excess slack in the Cable.

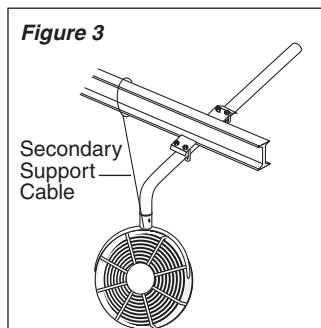


Figure 3

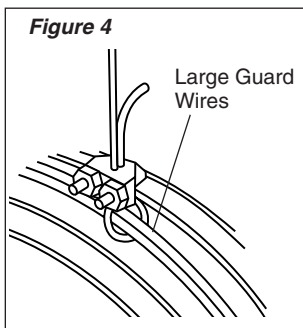


Figure 4

CAUTION: USE ONLY THE MOUNTING HARDWARE WHICH IS RECOMMENDED FOR USE ON THIS FAN.

4. Attach the remaining Cable Clamp as indicated in **Step 2**. The excess tail should be trimmed to extend 1 to 2 inches past the Clamp.
 5. Check the Assembly to assure the Blade is free of all obstructions.
- CAUTION: USE OF THE SECONDARY SUPPORT CABLE DOES NOT GUARANTEE PROTECTION AGAINST INJURY OF PERSONS. MOUNTING OF BOTH THE CIRCULATOR AND CABLE COULD FAIL IF SUBJECT TO ABUSE, NEGLIGENCE OR IMPROPER INSTALLATION.**

OPERATION

1. Plug in cord and select desired operating speed with pull cord.
2. **WARNING:** This fan should be used only in a clean, dry environment. Mounting of this product in any way other than specified in the instruction sheet will null and void the manufacturer's warranty.

MAINTENANCE

WARNING: ALWAYS UNPLUG THE CORD BEFORE SERVICING.

CLEANING: Use a soft cloth and a mild soap solution such as liquid dish washing detergent.

CAUTION: DO NOT USE GASOLINE, BENZINE, THINNER, HARSH CLEANERS, ETC. WHICH WILL DAMAGE THE FAN.

Dry all parts with a soft cloth completely before reconnecting to power supply.

STORAGE: When not in use, keep unit in a clean dry place.

MOTOR IS PERMANENTLY LUBRICATED.

PART BAG

Description	Qty.
5/16 x 2" U-Bolt	2
Clamp Plate	2
5/16-13 Nut	4
5/16 Lock Washer	4
5/16 Flat Washer	4
Rubber Spacer	2
Grill Knob	2
Set Screw 1/4-20	1
Secondary Support Kit	1
Allen Key	1

LIMITED WARRANTY

WHAT THIS WARRANTY COVERS: This product is warranted against defects in workmanship and/or materials.

HOW LONG THIS WARRANTY LASTS: This warranty extends only to the original purchaser of the product and lasts for one (1) year from the date of original purchase or until the original purchaser of the product sells or transfers the product, whichever first occurs.

WHAT AIR KING WILL DO: During the warranty period, Air King will, at its sole option, repair or replace any part or parts that prove to be defective or replace the whole product with the same or comparable model.

WHAT THIS WARRANTY DOES NOT COVER: This warranty does not apply if the product was damaged or failed because of accident, improper handling or operation, shipping damage, abuse, misuse, unauthorized repairs made or attempted. This warranty does not cover shipping costs for the return of products to Air King for repair or replacement. Air King will pay return shipping charges from Air King following warranty repairs or replacement.

ANY AND ALL WARRANTIES, EXPRESSED OR IMPLIED (INCLUDING, WITHOUT LIMITATION, ANY IMPLIED WARRANTY OF MERCHANTABILITY), LAST ONE YEAR FROM THE DATE OF ORIGINAL PURCHASE OR UNTIL THE ORIGINAL PURCHASER OF THE PRODUCT SELLS OR TRANSFERS THE PRODUCT, WHICHEVER FIRST OCCURS AND IN NO EVENT SHALL AIR KING'S LIABILITY UNDER ANY EXPRESS OR IMPLIED WARRANTY INCLUDE (I) INCIDENTAL OR CONSEQUENTIAL DAMAGES FROM ANY CAUSE WHATSOEVER, OR (II) REPLACEMENT OR REPAIR OF ANY HOUSE FUSES, CIRCUIT BREAKERS OR RECEPTACLES. NOTWITHSTANDING ANYTHING TO THE CONTRARY, IN NO EVENT SHALL AIR KING'S LIABILITY UNDER ANY EXPRESS OR IMPLIED WARRANTY EXCEED THE PURCHASE PRICE OF THE PRODUCT AND ANY SUCH LIABILITY SHALL TERMINATE UPON THE EXPIRATION OF THE WARRANTY PERIOD.

Some states and provinces do not allow limitations on how long an implied warranty lasts, or the exclusion or limitation of incidental or consequential damages, so these exclusions or limitations may not apply to you. This warranty gives you specific legal rights. You may also have other rights which vary from state to state and province to province. Proof of purchase is required before a warranty claim will be accepted.

CUSTOMER SERVICE:

Toll-Free (800) 233-0268. Email: producthelp@laskoproducts.com

Our Customer Service team is available to assist you with product questions, service center locations, and replacement parts. They can be reached Monday through Friday, 8am-5pm Eastern. Please have your model number available, as well as the type and style (located on the underside of your product). Please do not return product to place of purchase.

Customer Service Dept., 820 Lincoln Ave., West Chester, PA 19380 (Please do not send product to this location) www.laskoproducts.com

PARTS FOR DISCONTINUED, OBSOLETE AND CERTAIN OTHER PRODUCTS MAY NOT BE AVAILABLE. DUE TO SAFETY REASONS, MANY ELECTRONIC COMPONENTS AND MOST HEATER COMPONENTS ARE NOT AVAILABLE TO CONSUMERS FOR INSTALLATION OR REPLACEMENT.