

IMPORTANT INSTRUCTIONS - OPERATING MANUAL

Models: AK864L



Exhaust Fan with Light

READ AND SAVE THESE INSTRUCTIONS

READ CAREFULLY BEFORE ATTEMPTING TO ASSEMBLE, INSTALL, OPERATE OR MAINTAIN THE PRODUCT DESCRIBED. PROTECT YOURSELF AND OTHERS BY OBSERVING ALL SAFETY INFORMATION. FAILURE TO COMPLY WITH INSTRUCTIONS COULD RESULT IN PERSONAL INJURY AND/OR PROPERTY DAMAGE!

RETAIN INSTRUCTIONS FOR FUTURE REFERENCE.

GENERAL SAFETY INFORMATION

When using electrical appliances, basic precautions should always be followed to reduce the risk of fire, electric shock and injury to person, including the following:

1. Read all instructions before installing or using exhaust fan.
2. Use this unit only in the manner intended by the manufacturer. If you have questions, contact the manufacturer.
3. Before servicing or cleaning the unit, switch power off at service panel and lock the service disconnecting means to prevent power from being switched on accidentally. When the service disconnecting means cannot be locked, securely fasten a prominent warning device, such as a tag, to the service panel.
4. Installation work and electrical wiring must be done by qualified person(s) in accordance with all applicable codes and standards, including fire-related construction.
5. Sufficient air is needed for proper combustion and exhausting of gases through the flue (chimney) of fuel burning equipment to prevent back drafting. Follow the heating equipment manufacturer's guideline and safety standards such as those published by the National Fire Protection Association (NFPA) and the American Society for Heating, Refrigeration, and Air Conditioning Engineers (ASHRAE), and the local code authorities.
6. When cutting or drilling into wall or ceiling, do not damage electrical wiring and other hidden utilities.
7. Ducted fans must always be vented to the outdoors.
8. This unit must be grounded.
9. To avoid motor bearing damage and noisy and/or unbalanced impellers, keep drywall spray, construction dust, etc. off power unit.
10. Acceptable for use over a bathtub or shower when installed in a GFCI protected branch circuit.
11. NEVER place a switch where it can be reached from a tub or shower.
12. Do not install in a ceiling with thermal insulation value greater than R40.

WARNING: TO REDUCE THE RISK OF FIRE, ELECTRIC SHOCK, DO NOT USE THIS FAN WITH ANY SOLID-STATE SPEED CONTROL DEVICE.

WARNING: DO NOT USE IN KITCHENS

CAUTION: FOR GENERAL VENTILATING USE ONLY. DO NOT USE TO EXHAUST HAZARDOUS OR EXPLOSIVE MATERIALS AND VAPORS.

SAVE THESE INSTRUCTIONS

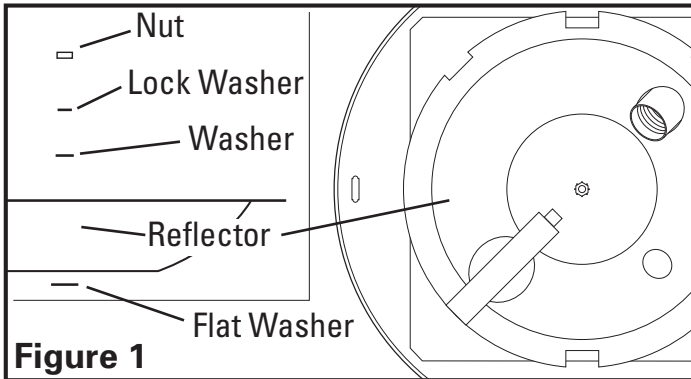
INSTALLATION INSTRUCTIONS

CAUTION: MAKE SURE POWER IS SWITCHED OFF AT SERVICE PANEL BEFORE STARTING INSTALLATION.

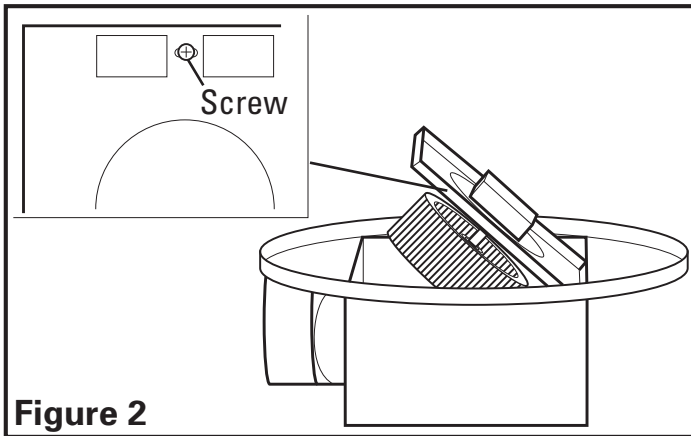
SECTION 1

Preparing the Exhaust Fan

1. Unpack fan from the carton and confirm that all pieces are present. In addition to the exhaust fan you should have:
 - 1 - Grill with Light Lens
 - 1 - Damper Assembly (attached)
 - 4 - Mounting Rails
 - 1 - Instruction/Safety Sheet
2. Remove the fan's light reflector, which is secured in place with one center located screw. Also remove the lock washer, washer and flat washer. Keep all parts in the carton until needed so they do not get damaged or lost (**Figure 1**).

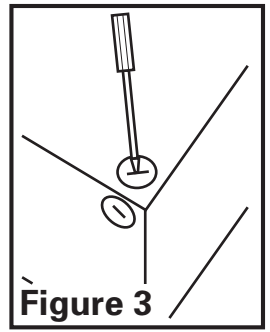


3. Remove the fan's venturi assembly, which is secured in place with one screw through the venturi. Keep the venturi assembly in the carton until needed so it does not get damaged or lost (**Figure 2**).



4. Choose the location for your fan. To ensure the best air and sound performance, it is recommended that the length of ducting and the number of elbows be kept to a minimum, and that insulated hard ducting be used. Larger duct sizes will reduce noise and airflow restrictions. This fan will require at least 6" of clearance in the ceiling or wall, and will mount through drywall up to 3/4" thick. The fan can be mounted directly to the joist using the mounting tabs on the side of the housing or between 16" on center joists using the 4 provided mounting rails.

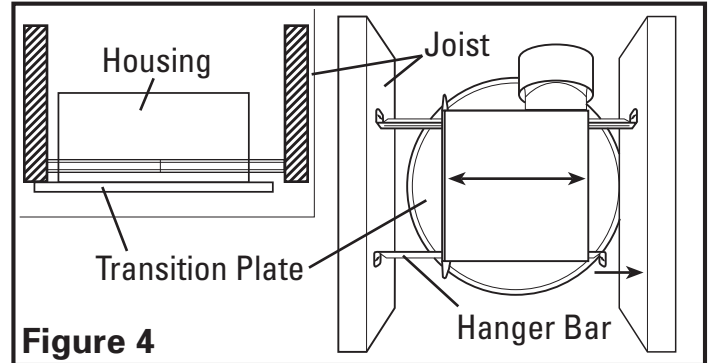
5. Select the most convenient electrical knockout and remove using a straight-blade screw driver (**Figure 3**).



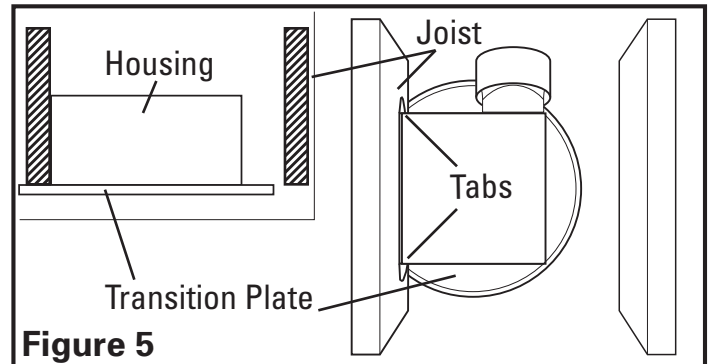
SECTION 2

New Construction

- 1a. **Slide Rail Installation:** Install the slide rails on the housing and position the housing next to the joist with the transition plate flush to the underside of the joist. Secure the ends of the rails with screws or nails (not included) to the joists and slide the housing into its final position (**Figure 4**).



- 1b. **Mounting Tab Installation:** Position the fan so that the tabs rest flat against the joist with the transition plate flush to the underside of the joist. Secure with four screws or nails (not provided) to ensure proper installation (**Figure 5**).



SECTION 3

Existing Construction

- 1a. **Slide Rail Installation:** Set housing in position between the joist and trace an outline onto the ceiling material (**Figure 6**). Set housing aside and cut opening, being careful not to cut or damage any electrical or other hidden utilities. Install the slide rails on the housing and position the housing in the previously cut hole so that it is flush with the finished ceiling. Secure the ends of the rails with screws or nails (not included) to the joists (**Figure 4**).

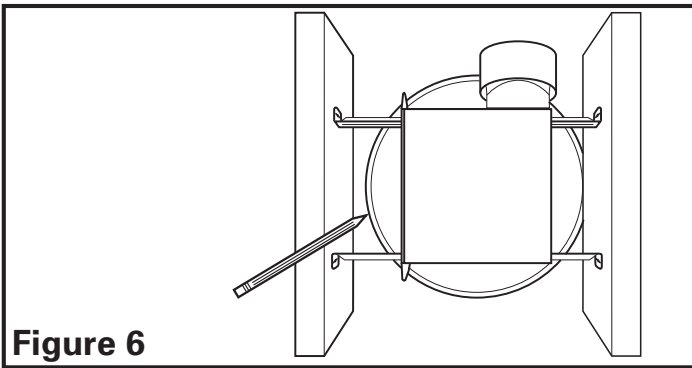


Figure 6

- 1b. **Mounting Tab Installation:** Position housing against the joist and trace an outline of the housing onto the ceiling material (**Figure 7**). Set housing aside and cut opening, being careful not to cut or damage any electrical or other hidden utilities. Place housing next to the joist and insure that it is flush with the finished ceiling. Secure with four screws or nails (not provided) to ensure proper installation (**Figure 5**).

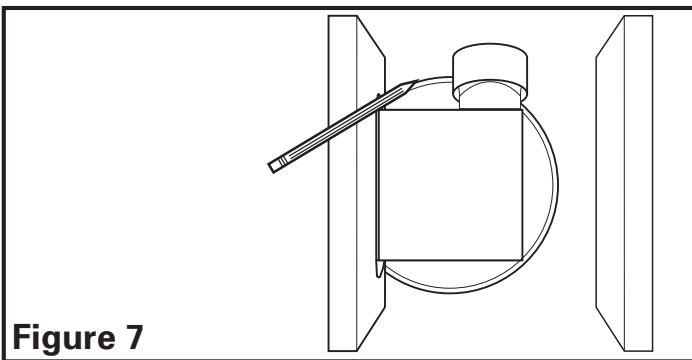


Figure 7

SECTION 4 Ducting

CAUTION: ALL DUCTING MUST COMPLY WITH LOCAL AND NATIONAL BUILDING CODES.

1. Connect the ducting to the fan's duct collar (**Figure 8**). Secure in place using tape or screw clamp. Always duct the fan to the outside through a wall or roof cap.

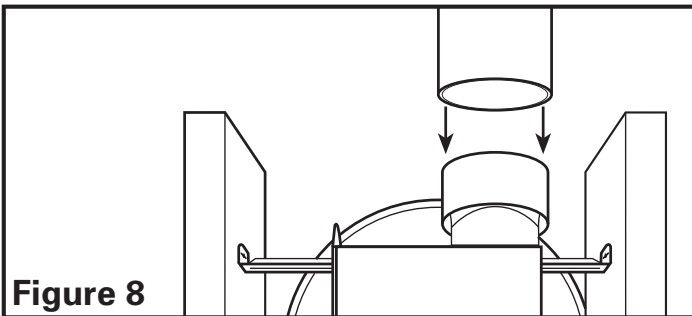


Figure 8

NOTE: If damper detaches from unit, reattach by snapping the collar back onto the unit. It is designed to only fit one way.

SECTION 5 Wiring

CAUTION: MAKE SURE POWER IS SWITCHED OFF AT SERVICE PANEL BEFORE STARTING INSTALLATION.

CAUTION: ALL ELECTRICAL CONNECTIONS MUST BE MADE IN ACCORDANCE WITH LOCAL CODES, ORDINANCES, OR NATIONAL ELECTRICAL CODE. IF YOU ARE UNFAMILIAR WITH METHODS OF INSTALLING ELECTRICAL WIRING, SECURE THE SERVICES OF A QUALIFIED ELECTRICIAN.

1. **Wiring Fan/Light Independently:** Run wiring from an approved wall switch carrying the appropriate rating. One neutral (white), one ground (green or bare copper), and two hot (black lead connected to the switch). Secure the electrical wires to the housing with an approved electrical connector. Make sure you leave enough wiring in the box to make the connection to the fan's receptacle.
 - 1a. From where you have access to inside the fan's junction box, connect the one white wire from the house to both the white wire from the fan's light receptacle and the white wire from the fan's exhaust receptacle. Connect the first black wire from the wall switch to the black wire from the fan's light receptacle. Connect the second black wire from the house to the fan's exhaust receptacle. Connect the ground wire from the house to the green wire from the fan's grounding screw (**Figure 9**). Use approved methods for all connections.

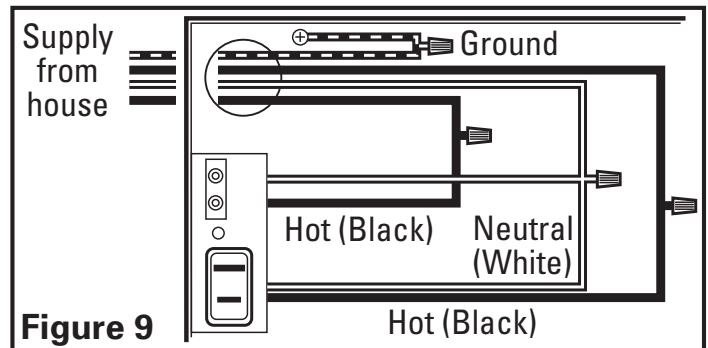


Figure 9

2. **Wiring Fan/Light together:** Run wiring from an approved wall switch carrying the appropriate rating. One neutral (white), one ground (green or bare copper), and one hot (black lead connected to the switch). Secure the electrical wires to the housing with an approved electrical connector. Make sure you leave enough wiring in the box to make the connection to the fan's receptacle.
 - 2a. From where you have access to inside the fan's junction box, connect the one white wire from the house to both the white wire from the fan's light receptacle and the white wire from the fan's exhaust receptacle. Connect the black wire from the wall switch to both the black wire from the fan's light receptacle and the black wire from the fan's exhaust receptacle. Connect the ground wire from the house to the green wire from the fan's grounding screw (**Figure 10**). Use approved methods for all connections.

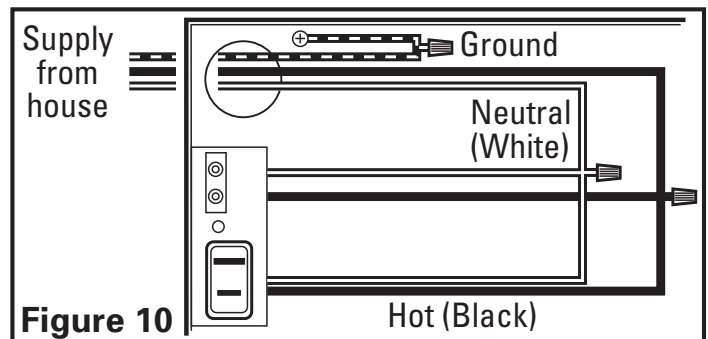


Figure 10

SECTION 6

Completing the Installation

1. Reinstall the fan's venturi by holding it at approximately a 45 degree angle, hook the two tabs on the venturi into the slots on the housing and secure in place by tightening the venturi screw. Rotate the blower wheel by hand to ensure it spins freely. Now plug the fan motor into the receptacle (**Figure 11**).

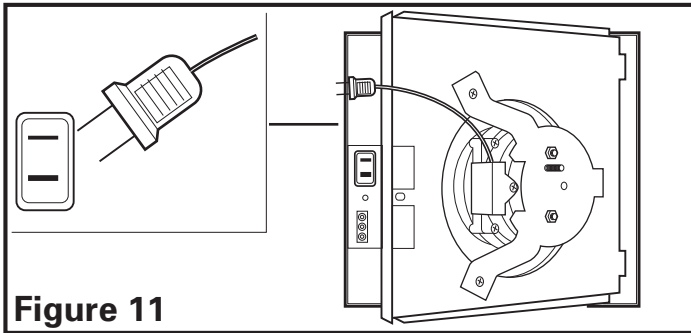


Figure 11

2. Plug cord from lamp holders into the appropriate receptacle (**Figure 12**).

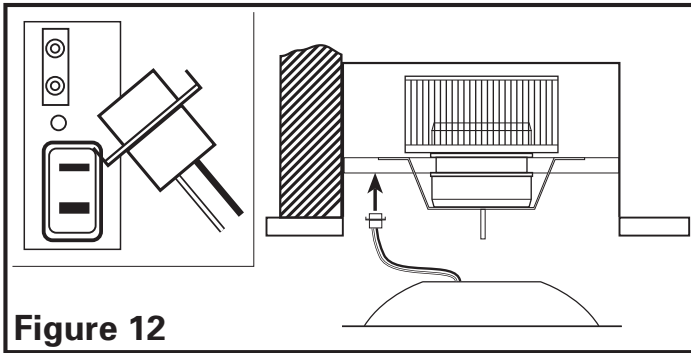


Figure 12

3. Reinstall the light reflector by securing in place on the mounting bolt with the flat washer then the reflector, two lock washers and reflector nut. Tighten nut fully (**Figure 13**).

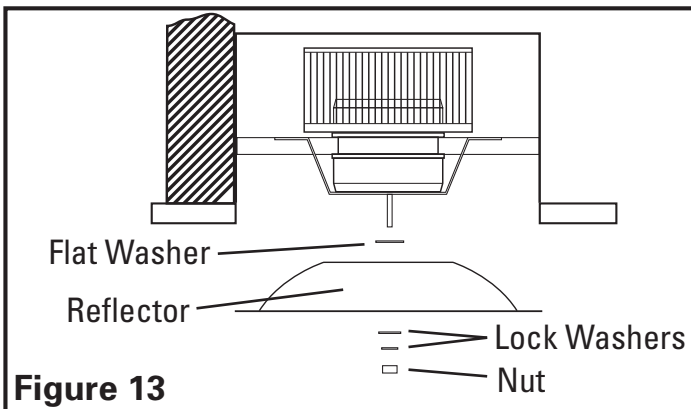


Figure 13

CAUTION: FAILURE TO SECURE THE REFLECTOR BOLT MAY RESULT IN A RATTLING OR HUMMING NOISE.

4. Install a 100 watt maximum, type A19 medium base incandescent bulb (not included).

CAUTION: WHEN INSTALLING GRILL, BE CAREFUL NOT TO PINCH FINGERS BETWEEN GRILL AND CEILING.

5. Install the grill by squeezing the two ends of the springs together and installing them up into the slots on the fan's housing. Push the grill up into position (**Figure 14**).

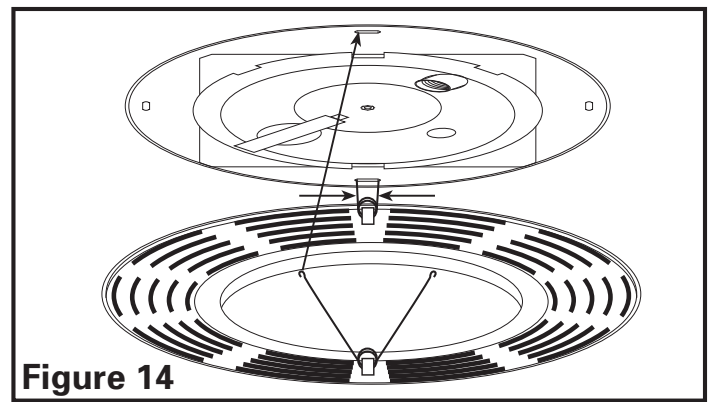


Figure 14

6. Restore power and test your installation.

SECTION 7

Use and Care

CAUTION: MAKE SURE POWER IS SWITCHED OFF AT SERVICE PANEL BEFORE SERVICING THE UNIT.

1. **Cleaning the Grill:** Remove grill and use a mild detergent, such as dishwashing liquid, and dry with a soft cloth. NEVER USE ANY ABRASIVE PADS OR SCOURING POWDERS. Completely dry grill before reinstalling. Refer to instructions in **Section 6 Completing the Installation**, to reinstall grill.
2. **Cleaning the Fan Assembly:** Wipe all parts with a dry cloth or gently vacuum the fan. NEVER IMMERSE ELECTRICAL PARTS IN WATER. Refer to instructions in **Section 6 Completing the Installation**, to reinstall venturi.

CAUTION: ALLOW BULB TO COOL BEFORE REPLACING

3. **Changing the Light Bulb:** Disconnect power to the unit. Remove grill by pulling downward on grill and squeezing grill springs together to release from housing (**Figure 15**). Remove light bulb and refer to instructions in **Section 6 Completing the Installation**, to complete the light bulb change and installation of grill.

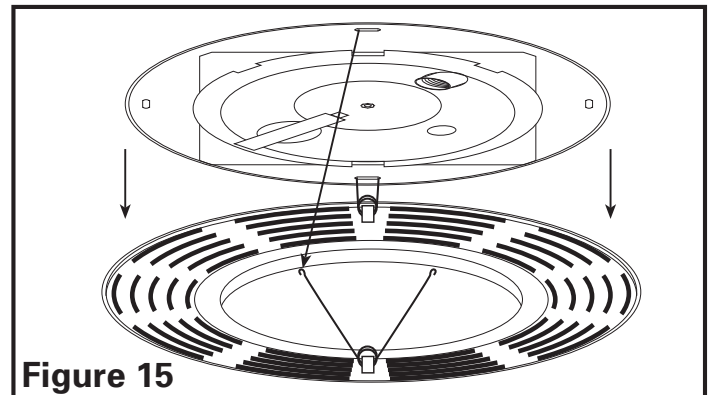


Figure 15

Troubleshooting Guide

Trouble	Probable Cause	Suggested Remedy
1. Fan does not operate when the switch is on.	1a. A fuse may be blown or a circuit tripped. 1b. Connector plug from motor is not plugged in. 1c. Wiring is not connected properly. 1d. Motor has stopped operating.	1a. Replace fuse or reset circuit breaker. 1b. Turn off power to unit. Remove Grill and plug motor into receptacle in housing. Restore power to unit. 1c. Turn off power to unit. Check that all wires are connected. 1d. Replace motor.
2. Fan is operating, but air moves slower than normal.	2. Obstruction in the exhaust ducting.	2. Check for any obstructions in the ducting. The most common are bird nests in the roof cap or wall cap where the fan exhausts to the outside.
3. Fan is operating louder than normal.	3a. Motor is loose. 3b. Fan blade is hitting housing of unit.	3a. Turn off power to unit. Remove grill and check that all screws are fully tightened. Restore power to unit. 3b. Call your dealer for service.

LIMITED WARRANTY

WHAT THIS WARRANTY COVERS: This product is warranted against defects in workmanship and/or materials.

HOW LONG THIS WARRANTY LASTS: This warranty extends only to the original purchaser of the product and lasts for one (1) year from the date of original purchase or until the original purchaser of the product sells or transfers the product, whichever first occurs.

WHAT AIR KING WILL DO: During the warranty period, Air King will, at its sole option, repair or replace any part or parts that prove to be defective or replace the whole product with the same or comparable model.

WHAT THIS WARRANTY DOES NOT COVER: This warranty does not apply if the product was damaged or failed because of accident, improper handling or operation, shipping damage, abuse, misuse, unauthorized repairs made or attempted. This warranty does not cover shipping costs for the return of products to Air King for repair or replacement. Air King will pay return shipping charges from Air King following warranty repairs or replacement.

ANY AND ALL WARRANTIES, EXPRESSED OR IMPLIED (INCLUDING, WITHOUT LIMITATION, ANY IMPLIED WARRANTY OF MERCHANTABILITY), LAST ONE YEAR FROM THE DATE OF ORIGINAL PURCHASE OR UNTIL THE ORIGINAL PURCHASER OF THE PRODUCT SELLS OR TRANSFERS THE PRODUCT, WHICHEVER FIRST OCCURS AND IN NO EVENT SHALL AIR KING'S LIABILITY UNDER ANY EXPRESS OR IMPLIED WARRANTY INCLUDE (I) INCIDENTAL OR CONSEQUENTIAL DAMAGES FROM ANY CAUSE WHATSOEVER, OR (II) REPLACEMENT OR REPAIR OF ANY HOUSE FUSES, CIRCUIT BREAKERS OR RECEPTACLES. NOTWITHSTANDING ANYTHING TO THE CONTRARY, IN NO EVENT SHALL AIR KING'S LIABILITY UNDER ANY EXPRESS OR IMPLIED WARRANTY EXCEED THE PURCHASE PRICE OF THE PRODUCT AND ANY SUCH LIABILITY SHALL TERMINATE UPON THE EXPIRATION OF THE WARRANTY PERIOD.

Some states and provinces do not allow limitations on how long an implied warranty lasts, or the exclusion or limitation of incidental or consequential damages, so these exclusions or limitations may not apply to you. This warranty gives you specific legal rights. You may also have other rights which vary from state to state and province to province. Proof of purchase is required before a warranty claim will be accepted.

CUSTOMER SERVICE:

Toll-Free (800) 465-7300

Our Customer Service team is available to assist you with product questions, service center locations, and replacement parts. They can be reached Monday through Friday, 8am-4pm Eastern. Please have your model number available, as well as the type and style (located on the label inside of your product).

Please do not return product to place of purchase.

www.airkinglimited.com

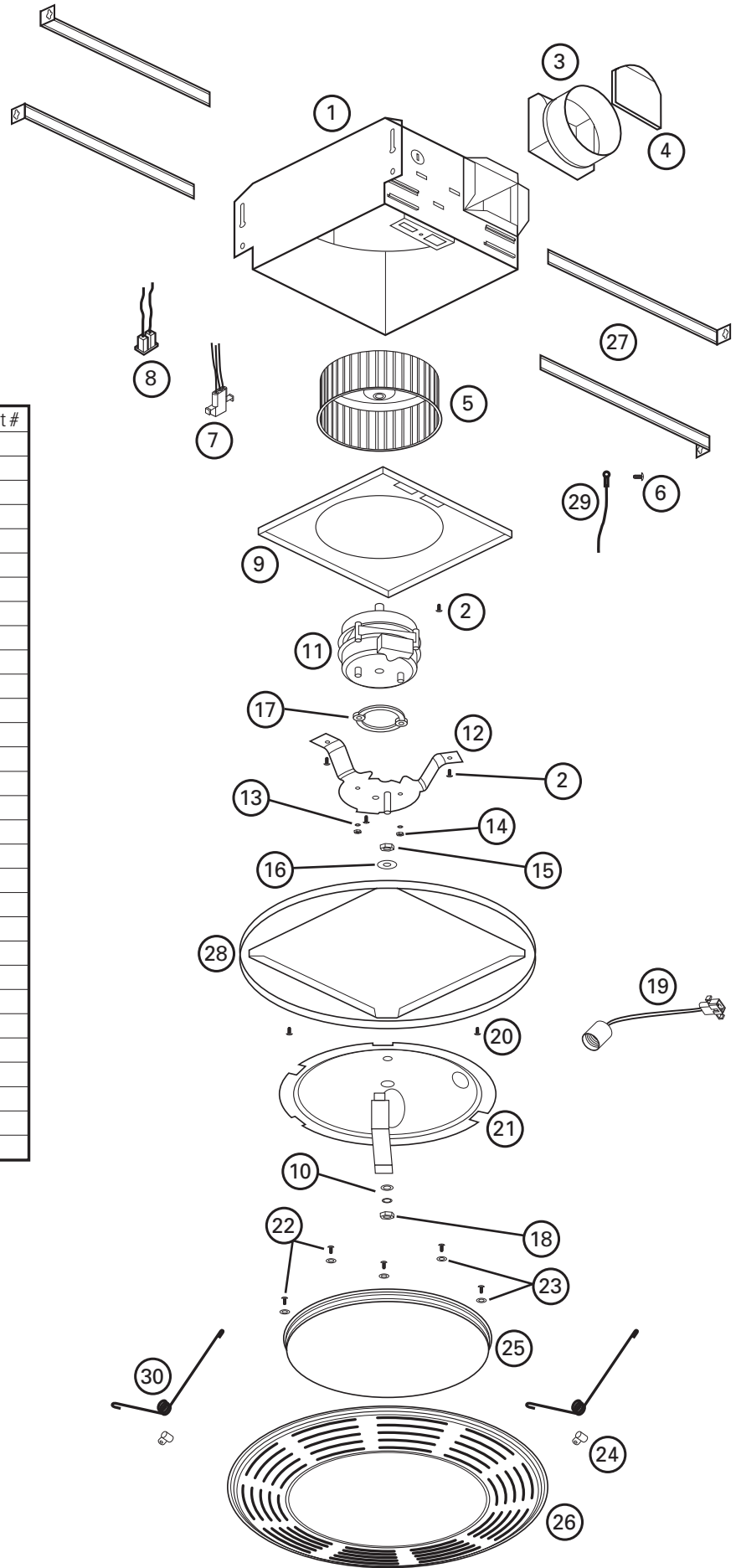
PARTS FOR DISCONTINUED, OBSOLETE AND CERTAIN OTHER PRODUCTS MAY NOT BE AVAILABLE. DUE TO SAFETY REASONS, MANY ELECTRONIC COMPONENTS AND MOST HEATER COMPONENTS ARE NOT AVAILABLE TO CONSUMERS FOR INSTALLATION OR REPLACEMENT.

Installer: _____ Installation Date: _____

Place of Purchase: _____ Model Number: _____

REPLACEMENT PARTS DIAGRAM

#	Qty.	Description	Replacement Part #
1	1	Fan Housing	5S3202001
2	5	#8 Screw	5S1999004
3	1	Collar	5S3202003
4	1	Damper	5S3202004
5	1	Blower Wheel	5S3202005
6	1	#10 Ground Screw	5S1999002
7	1	Polarized Nylon Receptacle 2P	5S3202039
8	1	Polarized Receptacle	5S1999001
9	1	Motor Plate	5S3202006
10	2	Lock Washer	5S3202007
11	1	Motor	5S2299005
12	1	Motor Bracket	5S3202008
13	2	Lock Washer	5S3202009
14	2	Motor Nut	5S3202020
15	1	Nut	5S3202021
16	1	Washer	5S3202022
17	1	Rubber Washer	5S3202023
18	1	Reflector Nut	5S3202024
19	1	Lamp Holder Assembly	5S3202043
20	2	Screw	5S3202026
21	1	Reflector	5S3202027
22	6	Lens Screw	5S3202028
23	6	Lens Washer	5S3202029
24	2	Clip - Springs	5S3202030
25	1	Glass Lens	5S3202031
26	1	Grill	5S3202032
27	4	Mounting Rail	5S1299002
28	1	Round Transition Plate	5S3202034
29	1	14 ga Ground Wire	5S1999003
30	2	Grill Spring	5S3202033



INSTRUCTIONS IMPORTANTES — MANUEL D'OPÉRATION

Modèle: AK864L



Ventilateur combiné, comprend
lumière et ventilation

LIRE ET CONSERVER CES INSTRUCTIONS

LIRE SOIGNEUSEMENT AVANT DE TENTER D'ASSEMBLER, INSTALLER, OPÉRER OU DE RÉPARER LE PRODUIT DÉRIVÉ. PROTÉGEZ VOUS-MÊME ET LES AUTRES EN OBSERVANT TOUTE L'INFORMATION DE SÉCURITÉ. FAILLIR SE CONFORMER AUX INSTRUCTIONS PEUT RÉSULTER EN BLESSURE PERSONNELLE GRAVE ET/OU EN DOMMAGE À LA PROPRIÉTÉ.

CONSERVER CES INSTRUCTIONS POUR RÉFÉRENCES FUTURES.

INSTRUCTIONS GÉNÉRALES DE SÉCURITÉ

Lors de l'utilisation d'appareils électriques, des précautions de base doivent toujours être suivies pour réduire les risques d'incendie, de choc électrique et de blessures corporelles, incluant ce qui suit:

1. Bien lire toutes les instructions avant d'installer ou d'utiliser le ventilateur d'extraction.
 2. Utiliser cette unité seulement de la manière pour laquelle le fabricant l'a conçue. Si vous aviez des questions, veuillez contacter le fabricant.
 3. Avant d'effectuer un service ou de nettoyer l'unité, couper l'alimentation électrique dans le panneau de distribution et verrouiller le dispositif de déconnexion afin d'éviter que l'alimentation ne revienne accidentellement. Lorsque le dispositif ne peut être verrouillé, fixer solidement un avis d'avertissement, tel qu'une étiquette, au panneau de distribution.
 4. Le travail d'installation et le câblage électrique doivent être effectués par une(des) personne(s) qualifié(e)s en conformité avec tous les codes et normes applicables, incluant la construction relative aux incendies.
 5. De l'air en quantité suffisante est requis pour la bonne combustion et l'extraction de gaz par le conduit (cheminée) provenant d'équipement de brûlage au combustible pour prévenir un refoulement. Suivre les directives du fabricant de l'équipement de chauffage et les normes de sécurité telles que celles publiées par la National Fire Protection Association (NFPA) et de la American Society for Heating, Refrigeration, and Air Conditioning Engineers (ASHRAE), et de celles des autorités locales du code.
 6. Lors de coupe ou de perçage des murs et plafonds, ne pas endommager le filage électrique et autres utilités cachées.
 7. Les ventilateurs avec conduits doivent toujours être vécus vers l'extérieur.
 8. Cette unité doit être mise à la terre.
 9. Pour éviter des dommages aux roulements des moteurs et/ou des hélices bruyantes ou déséquilibrées, empêcher la poussière de cloison sèche, poussière de construction, etc., d'atteindre l'unité de puissance.
- AVERTISSEMENT: POUR RÉDUIRE LES RISQUES D'INCENDIE OU DE CHOC ÉLECTRIQUE, NE PAS UTILISER CE VENTILATEUR AVEC UN RÉGULATEUR DE VITESSE ÉLECTRONIQUE.**
10. Acceptable pour utilisation au-dessus d'une baignoire ou d'une douche lorsque installé dans un circuit protégé par un disjoncteur de fuite de terre.
 11. **NE JAMAIS** placer un interrupteur à un endroit qui puisse être atteint de la baignoire ou de la douche.
 12. N'installez pas sur des plafonds thermiquement isolés une valeur plus grande que R40.

AVERTISSEMENT: NE PAS UTILISER DANS LES CUISINES

AVERTISSEMENT: POUR USAGE DE VENTILATION GÉNÉRALE EXCLUSIVEMENT. NE PAS UTILISER POUR VACUER DU MATÉRIEL ET DES VAPEURS DANGEREUSES OU EXPLOSIVES.

CONSERVER CES INSTRUCTIONS

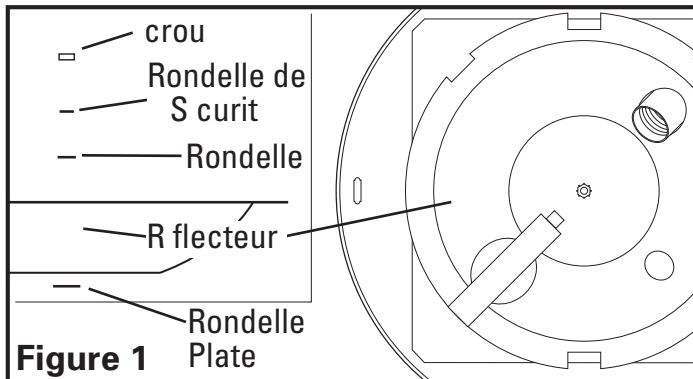
INSTRUCTIONS D INSTALLATION

AVERTISSEMENT: VOUS ASSURER QUE L'ALIMENTATION EST COUPÉE AU PANNEAU DE SERVICE AVANT DE COMMENCER L'INSTALLATION.

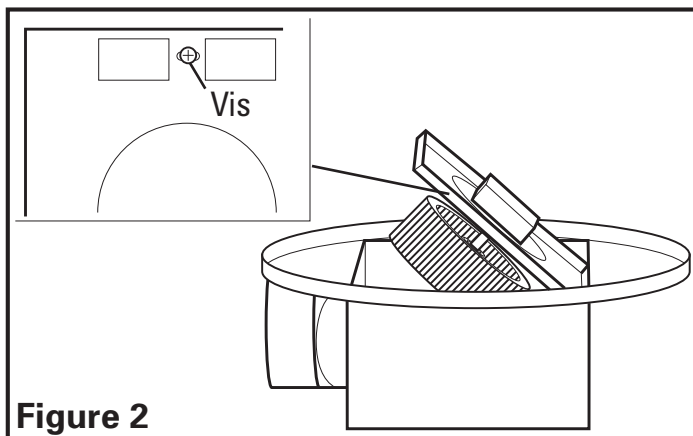
SECTION 1

Préparation du Ventilateur d'aspiration

- Sortir le ventilateur de sa boîte et confirmer que toutes les pièces sont présentes. En plus du ventilateur d'aspiration vous devriez avoir:
 - 1 - Grille avec les Lentilles de éclairage
 - 1 - Ensemble de clapet (attaché)
 - 4 - Traverses de Montage
 - 1 - Feuillet d'instructions / scurit
- Enlever le réflecteur de lumière du ventilateur, lequel est fixé en place avec une vis localisée au centre. Aussi enlever la rondelle de scurit et la rondelle plate. Conserver toutes ces pièces dans la boîte jusqu'au besoin pour assurer de ne pas les perdre ou les endommager. (Figure 1).



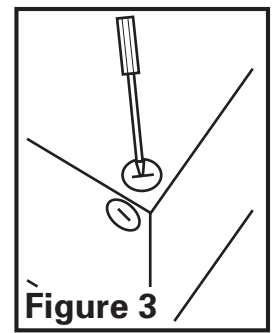
- Enlever l'assemblage du venturi du ventilateur, lequel est fixé en place avec une vis au travers du venturi. Conserver l'assemblage du venturi dans la boîte jusqu'au besoin pour assurer de ne pas le perdre ou l'endommager. (Figure 2).



- Choisir un emplacement pour votre ventilateur. Pour assurer la meilleure performance de l'air et sonore, il est recommandé que la longueur des conduits et que le nombre de coudes soit gardé au minimum, et que des conduits rigides isolés soient utilisés. Des plus grands formats de conduits réduiront le bruit et les restrictions au débit d'air. Ce ventilateur nécessite au moins 15,2cm (6po) de dégagement du mur ou du plafond et peut s'installer au travers de cloisons sèches d'épaisseur de 1,9cm (3/4po). Le ventilateur peut être monté directement

sur la solive à l'aide des onglets de montage ou entre les 40,6cm (16po) au centre des solives en utilisant les 4 traverses de montage fournies.

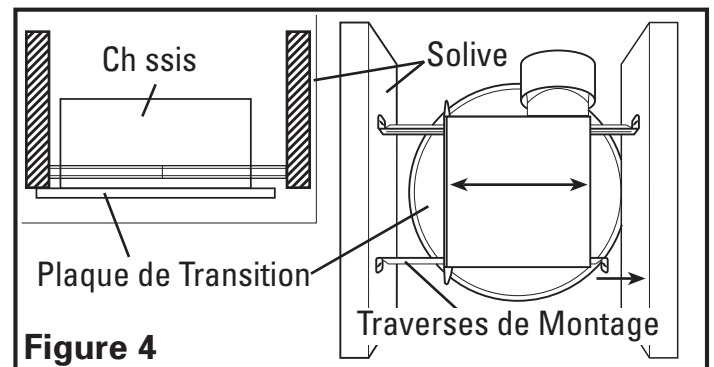
- Sectionner l'alvôle d'origine la mieux appropriée et l'enlever à l'aide d'un tournevis lame plate (Figure 3).



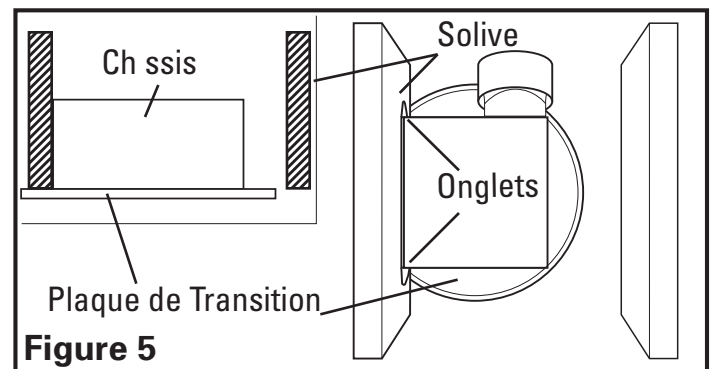
SECTION 2

Nouvelle construction

- 1a. Installation du guide de montage:** installer les guides sur les chassis et positionner le chassis près de la solive avec la plaque de transition effleurant avec le côté inférieur de la solive. Fixer les extrémités des guides avec des vis ou des clous (non-compris) aux solives et glisser le chassis à sa position finale (Figure 4).



- 1b. Installation des onglets de montage:** positionner le ventilateur pour que les onglets reposent plat contre la solive avec la plaque de transition effleurant avec le côté inférieur de la solive. Fixer en place à l'aide de quatre vis ou clous (non-compris) pour assurer une bonne installation (Figure 5).



SECTION 3

Construction Existante

- 1a. Installation des Traverses de Montage:** placer le chassis en position entre les solives et tracer un contour sur le matériau du plafond (Figure 6). Mettre le chassis de côté et découper l'ouverture, en prenant soin de ne pas couper ou endommager des câbles électriques dissimulés ou autres utilités. Installer les traverses sur le chassis et positionner le chassis dans le trou percé précédemment afin qu'il soit effleurant avec le plafond fini. Fixer les extrémités des traverses aux solives (Figure 4).

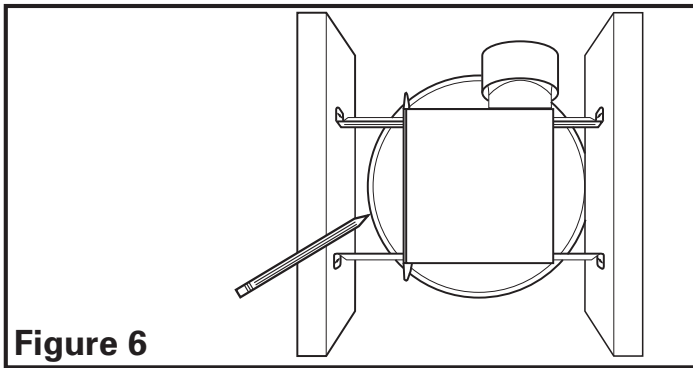


Figure 6

- 1b. **Installation des Onglets de montage:** positionner le ch ssis contre la solive et tracer un contour du ch ssis sur le mat riau du plafond (**Figure 7**). Mettre le ch ssis de ct et d couper l ouverture, en prenant soin de ne pas couper de c ble lectrique dissimul ou autre utilit . Placer le ch ssis pr s de la solive et vous assurer qu il soit effleurement avec le plafond fini. Fixer avec quatre (4) clous (non-compris) pour assurer une installation ad quate (**Figure 5**).

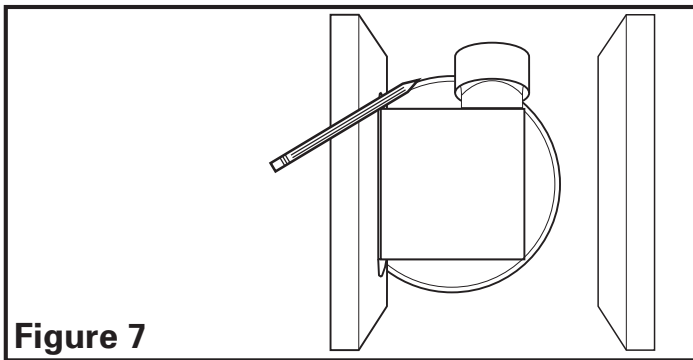


Figure 7

SECTION 4

Conduits

AVERTISSEMENT: TOUS LES CONDUITS DOIVENT TRE CONFORMES AUX CODES DU B TIMENT LOCAUX ET NATIONAUX.

1. Raccorder le conduit au collet de conduit du ventilateur (**Figure 8**). Fixer en place l aide de ruban ou de serre-joint. Toujours vacuer le ventilateur vers l ext rieur au travers de chapeau mural ou de toit.

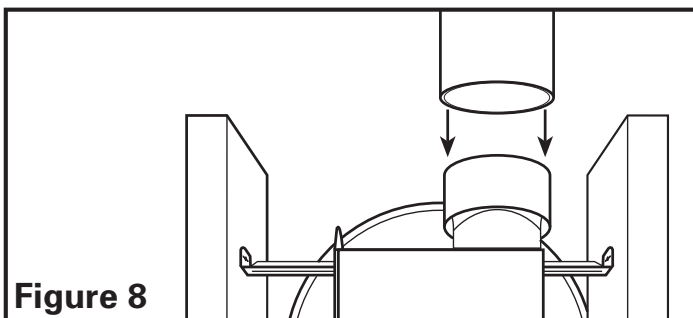


Figure 8

REMARQUE: Si le clapet se d tache de l unit , le rattacher en cliquant le collet sur l unit . Il est con u pour ne s assembler que d une seule mani re.

SECTION 5

C blage

AVERTISSEMENT: VOUS ASSURER QUE LALIMENTATION EST COUP E AU PANNEAU DE SERVICE AVANT DE COMMENCER LINSTALLATION.

AVERTISSEMENT: TOUTES LES CONNEXIONS DOIVENT TRE FAITES EN CONFORMIT AVEC LES CODES LECTRIQUES LOCAUX OU NATIONAUX. SI VOUS N TES PAS FAMILIER AVEC LES M THODES D INSTALLATION DE C BLAGE LECTRIQUE, RECOUREZ AUX SERVICES D UN LECTRICIEN QUALIFI .

1. **C blage du ventilateur/de la lumi re sur des circuits ind pendants:** courir le c blage partir d un commutateur mural approuv et de capacit appropri e. Un fil de neutre (blanc), un fil de mise la terre (vert ou cuivre nu), et deux fils vivants (le fil noir raccord l interrupteur). Fixer les c bles lectriques au ch ssis l aide de connecteur lectrique approuv . Vous assurer que vous laissez suffisamment de c ble dans la bo te pour permettre le raccordement au r ceptacle du ventilateur.
 - 1a. Par l o vous avez acc s l int rieur de la bo te de jonction du ventilateur, raccorder un fil Blanc de la maison aux deux fils Blancs du r ceptacle de la lumi re du ventilateur et le fil Blanc du r ceptacle du ventilateur d vacuation. Raccorder le premier fil Noir provenant du commutateur mural au fil Noir du r ceptacle de la lumi re. Raccorder le second fil Noir provenant de la maison vers le r ceptacle du ventilateur d vacuation. Raccorder le fil de mise la terre de la maison au fil Vert de la vis de mise la terre du ventilateur (**Figure 9**). Utiliser des m thodes de raccordement approuv es pour toutes les connexions.

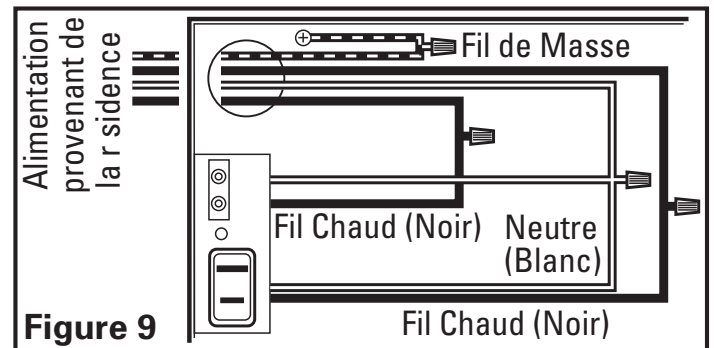


Figure 9

2. **C blage du ventilateur/de la lumi re sur le m me circuit:** courir le c blage d un commutateur mural approuv et de capacit appropri e. Un neutre (blanc), un de mise la terre (vert ou cuivre nu), et un vivant (fil noir raccord l interrupteur mural). Fixer les c bles lectriques au ch ssis avec un connecteur lectrique approuv . Vous assurer de laisser suffisamment de c ble dans la bo te pour faire le raccordement au r ceptacle du ventilateur.
 - 2a. Par l o vous avez acc s l int rieur de la bo te de jonction du ventilateur, raccorder un fil Blanc provenant de la maison aux deux fils Blancs du r ceptacle de la lumi re et le fil Blanc du r ceptacle du ventilateur d vacuation. Raccorder le fil Noir provenant du commutateur mural aux deux fils Noir du r ceptacle de la lumi re et au fil Noir du r ceptacle du ventilateur d vacuation. Raccorder le fil de mise la terre de la maison au fil Vert de la vis de mise la terre du ventilateur (**Figure 10**). Utiliser des m thodes de raccordement approuv es pour toutes les connexions.

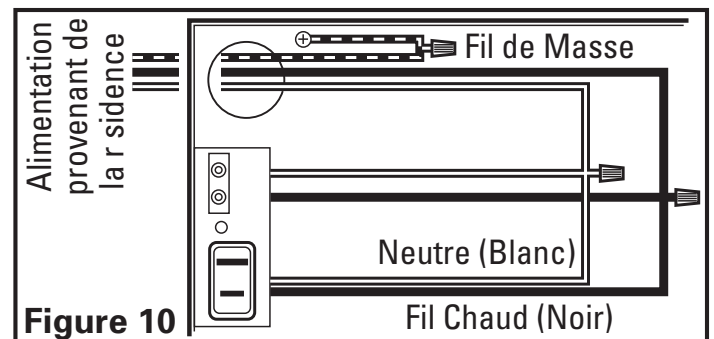


Figure 10

SECTION 6

Compl tion de l installation

1. R installer le venturi du ventilateur en le tenant un angle d environ 45 degr s, accrocher les deux onglets sur le venturi dans les fentes sur le cabinet et fixer en place en serrant les vis du venturi. Faire tourner la roue de la soufflante la main pour s assurer qu elle tourne librement. Maintenant, connecter le moteur du ventilateur dans le r ceptacle (**Figure 11**).

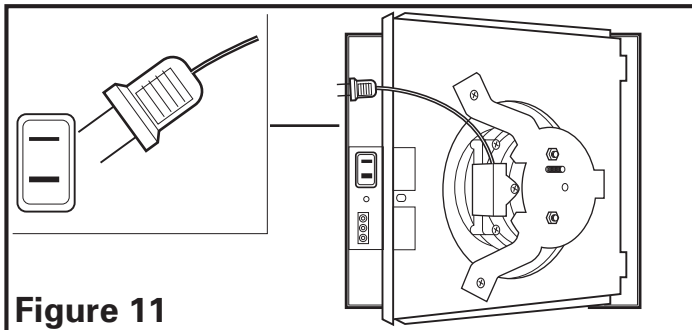


Figure 11

2. Connecter le cordon des socles de lampe dans le r ceptacle appropri (**Figure 12**).

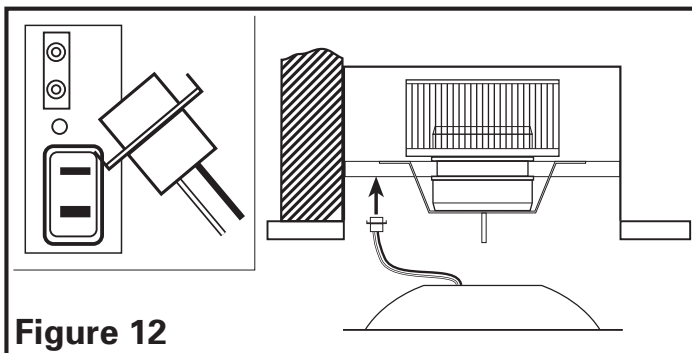


Figure 12

3. R installer le r flecteur de lumi re en le fixant en place sur les boulons de montage avec les rondelles, puis le r flecteur, les deux rondelles de s curit et le boulon du r flecteur. Serrer enti rement le boulon (**Figure 13**).

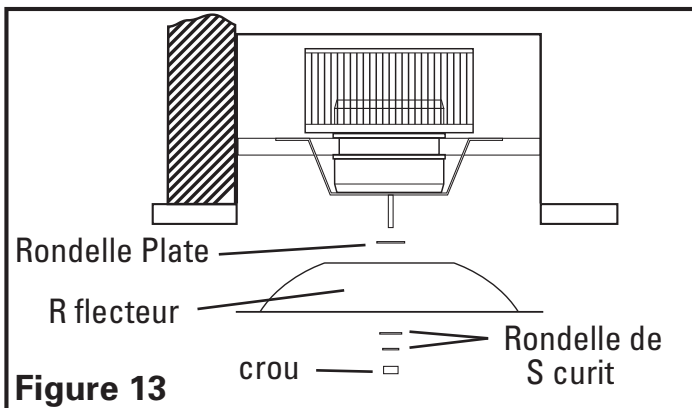


Figure 13

AVERTISSEMENT: UN MANQUEMENT , BIEN SERRER LE BOULON DU R FLECTEUR PEUT R SULTER EN UN BRUIT DE CR CELLEMENT ET DE RONRONNENT.

4. Installer une ampoule incandescente culot moyen de type A19 (non-comprise).

AVERTISSEMENT: LORSQUE VOUS INSTALLEREZ LA GRILLE, PRENEZ SOIN DE NE PAS COINCER VOS DOIGTS ENTRE LA GRILLE ET LE PLAFOND.

5. Installer la grille en pressant ensemble les deux extr mit s des ressorts et en les installant dans les fentes du ch ssis du ventilateur. Pousser la grille en position (**Figure 14**).

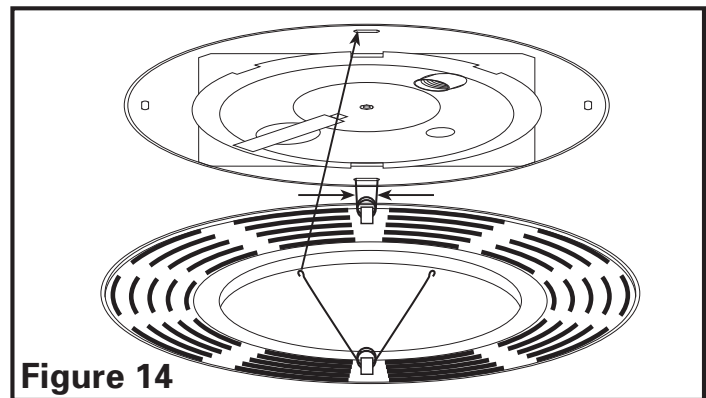


Figure 14

6. Restaurer l alimentation et tester votre installation.

SECTION 7

Utilisation et entretien

AVERTISSEMENT: VOUS ASSURER QUE L ALIMENTATION EST COUP E AU PANNEAU DE SERVICE AVANT DE COMMENCER L INSTALLATION.

1. **Nettoyage de la grille:** Retirer la grille et utiliser un d tergent doux, tel que du liquide pour la vaisselle, puis s cher l aide d un chiffon doux. **NE JAMAIS UTILISER D ABRASIF OU DE POUDRE , R CURER.** S cher compl tement la grille avant de la r installer. Pour r installer la grille, vous r f rer la **Section 6 - Compl tion de l installation.**
2. **Nettoyage de l assemblage du ventilateur:** nettoyer toutes les pi ces avec un chiffon sec ou passer d licatement l aspirateur dans le ventilateur. **NE JAMAIS IMMERGER DES PI CECES LECTRIQUES DANS LEAU.** R f rez-vous la **Section 6 Terminer l installation**, pour r installer la venturi.

AVERTISSEMENT: PERMETTRE , LAMPOULE DE SE REFROIDIR AVANT DE LA REPLACER

3. **Remplacement de l ampoule:** D brancher l alimentation de l unit . Enlever la grille en la tirant vers le bas et en pressant ensemble les ressorts de la grille pour d gager le b ti (**Figure 15**). Enlever l ampoule et vous r f rer aux instructions de la **Section 6 Compl ter l installation**, pour compl ter le changement d ampoule et pour l installation de la grille.

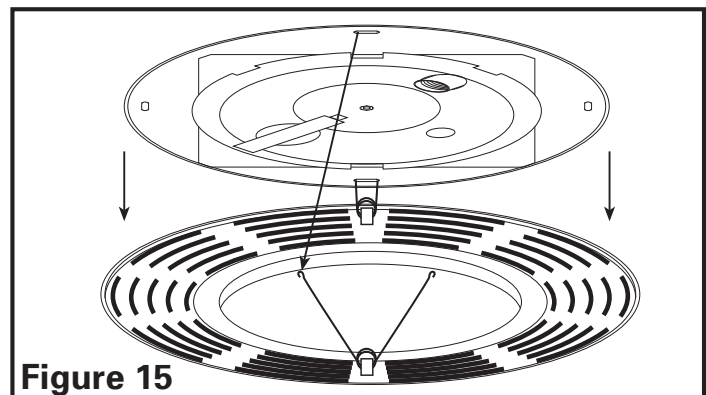


Figure 15

Guide de dépannage

Trouble	Cause Possible	Solution Suggérée
1. Le ventilateur ne fonctionne pas lorsque l'interrupteur est à la position en marche.	1a. Un fusible peut être grillé ou un disjoncteur peut être déclenché. 1b. La fiche de raccord du moteur n'est pas connectée. 1c. Le câblage n'est pas raccordé correctement. 1d. Le moteur est terminée.	1a. Remplacer le fusible ou réinitialiser le disjoncteur. 1b. Couper l'alimentation à l'unité. Retirer la grille et brancher le moteur dans le réceptacle dans le cabinet. Remettre l'alimentation sur l'unité. 1c. Couper l'alimentation de l'unité. Vérifier que tous les fils sont raccordés. 1d. Remplacez le moteur.
2. Le ventilateur fonctionne, mais l'air circule plus lentement que la normale.	2. Obstruction dans les conduits de ventilation.	2. Vérifier pour toute obstruction dans les conduits. Les plus courantes sont des nids d'oiseau dans le chapeau de toit ou mural. Nettoyer le ventilateur si l'air s'écoule vers l'extérieur.
3. Le ventilateur fonctionne de manière plus bruyante que la normale.	3a. Le moteur est lâche. 3b. La languette du ventilateur frotte contre le cabinet de l'unité.	3a. Couper l'alimentation à l'unité. Retirer la grille et vérifier que toutes les vis sont complètement serrées. Remettre l'alimentation sur l'unité. 3b. Appeler votre marchand pour un service.

GARANTIE LIMITÉE

QUE COUVRE CETTE GARANTIE : Ce produit est garanti contre tout vice de fabrication ou de matière.

COMBIEN DE TEMPS CETTE GARANTIE DURE : Cette garantie se rapporte seulement à l'acheteur original du produit et dure pendant une (1) année de la date de l'achat original ou jusqu'à ce que l'acheteur original du produit vend ou transfère le produit, celui qui se produit en premier.

QUE FERA AIR KING : Au cours de la période de garantie, Air King, à son choix, réparera ou remplacera n'importe quelle partie ou pièces qui s'avèrent défectueuses ou remplacera le produit entier par le même modèle ou un modèle comparable.

CE QUE CETTE GARANTIE NE COUVRE PAS : Cette garantie ne s'applique pas si le produit était endommagé ou arrêté de fonctionner en raison d'un accident, d'une mauvaise manipulation ou opération, de dommages d'expédition, d'abus, de mauvaise utilisation, de réparation faite ou tentées non autorisées. Cette garantie ne couvre pas les coûts d'expédition pour le retour des produits Air King pour la réparation ou le remplacement. Air King payera les frais d'expédition de retour de Air King après les réparations ou le remplacement de garantie.

TOUTES LES GARANTIES, EXPRESSES OU TACITES (COMPRENANT, SANS LIMITATION, TOUTE GARANTIE TACITE DE VALEUR MARCHANDE), DURENT UN AN DE LA DATE DE L'ACHAT ORIGINAL OU JUSQU'À CE QUE L'ACHETEUR ORIGINAL DU PRODUIT VEND OU TRANSFÈRE LE PRODUIT, CELUI QUI SE PRODUIT EN PREMIER ET DANS AUCUN CAS AIR KING N'ASSUME AUCUNE RESPONSABILITÉ EXPRESSE OU TACITE POUR (I) DES DOMMAGES ACCIDENTELS OU INDIRECTS DE N'IMPORTE QUELLE CAUSE, OU (II) LE REMPLACEMENT OU LA RÉPARATION DE TOUS FUSIBLES, DISJONCTEURS OU RÉCEPTACLES DE MAISON. MALGRÉ N'IMPORTE QUOI, L'EFFET CONTRAIRE, DANS AUCUN CAS LA RESPONSABILITÉ D'AIR KING, SOUS UNE GARANTIE EXPRESSE OU TACITE, NE PASSERA LE PRIX D'ACHAT DU PRODUIT ET UNE TELLE RESPONSABILITÉ SE TERMINERA AVEC L'EXPIRATION DE LA PÉRIODE DE GARANTIE.

Certains États et provinces ne permettent pas les limitations de la période de garantie, ou l'exclusion ou la restriction des dommages accidentels ou indirects, et, par conséquent, les présentes restrictions ne peuvent pas s'appliquer. La présente garantie vous donne des droits légaux spécifiques et peut-être certains autres droits qui peuvent varier selon la province. La preuve d'achat est exigée avant qu'une réclamation de garantie ne soit acceptée.

SERVICE À LA CLIENTÈLE :

Sans frais (800) 465-7300

Notre équipe de service à la clientèle est disponible pour vous aider avec des questions sur le produit, les adresses des centres de service, et les pièces de rechange.

Vous pouvez la rejoindre, du lundi au vendredi, de 8h:00 à 16h:00 HNE. Veuillez avoir le numéro du modèle disponible, ainsi que le genre et le style (qui se trouvent sur l'étiquette intérieure de votre produit). Veuillez ne pas renvoyer le produit à l'endroit de l'achat.

www.airkinglimited.com

IL SE PEUT QUE LES PIÈCES POUR LES PRODUITS DISCONTINUÉS, OBSOLÈTES ET AUTRES PRODUITS NE SOIENT PAS DISPONIBLES. POUR DES RAISONS DE SÉCURITÉ, BEAUCOUP DE COMPOSANTS ÉLECTRONIQUES ET LA PLUPART DES COMPOSANTS DES CHAUFFAGES NE SONT PAS À LA DISPOSITION DES CONSOMMATEURS POUR L'INSTALLATION OU LE REMPLACEMENT.

Installateur: _____

Date d'installation: _____

Endroit de l'achat: _____

Numéro de modèle: _____

DIAGRAMME DES PIÈCES DE REMPLACEMENT

#	Qt.	Description	# de pi ce de remplacement
1	1	Cabinet du ventilateur	5S3202001
2	5	Vis #8	5S1999004
3	1	Collet	5S3202003
4	1	Clapet	5S3202004
5	1	Roue de la Soufflante	5S3202005
6	1	Vis #10 de mise la terre	5S1999002
7	1	R ceptacle 2P Polaris	5S3202039
8	1	R ceptacle Polaris	5S1999001
9	1	Plaque de Moteur	5S3202006
10	2	Rondelle de S curit	5S3202007
11	1	Moteur	5S2299005
12	1	Support de moteur	5S3202008
13	2	Rondelle de S curit	5S3202009
14	2	crou du moteur	5S3202020
15	1	crou	5S3202021
16	1	Rondelle	5S3202022
17	1	Rondelle de caoutchouc	5S3202023
18	1	crou du r flecteur	5S3202024
19	1	Assemblage du socle de lampe	5S3202043
20	2	Vis	5S3202026
21	1	R flecteur	5S3202027
22	6	Vis de lentilles	5S3202028
23	6	Rondelles de lentilles	5S3202029
24	2	Clip - ressorts	5S3202030
25	1	Lentilles de Verre	5S3202031
26	1	Grille	5S3202032
27	4	Traverses de Montage	5S1299002
28	1	Plaque de transition ronde	5S3202034
29	1	Fil de mise la terre de calibre #14	5S1999003
30	2	Ressorts de la grille	5S3202033

