

IMPORTANT INSTRUCTIONS - OPERATING MANUAL

Model:
AKDT63W, AKDT63I



Timer Control

READ AND SAVE THESE INSTRUCTIONS

READ CAREFULLY BEFORE ATTEMPTING TO ASSEMBLE, INSTALL, OPERATE OR MAINTAIN THE PRODUCT DESCRIBED. PROTECT YOURSELF AND OTHERS BY OBSERVING ALL SAFETY INFORMATION. FAILURE TO COMPLY WITH INSTRUCTIONS COULD RESULT IN PERSONAL INJURY AND/OR PROPERTY DAMAGE!

RETAIN INSTRUCTIONS FOR FUTURE REFERENCE.

GENERAL SAFETY INFORMATION

When using electrical appliances, basic precautions should always be followed to reduce the risk of fire, electric shock and injury to person, including the following:

1. Read all instructions before installing or using switch.
2. Use this unit only in the manner intended by the manufacturer. If you have questions, contact the manufacturer.
3. Installation work and electrical wiring must be done by qualified person(s) in accordance with all applicable codes and standards, including fire-related construction.
4. When cutting or drilling into wall or ceiling, do not damage electrical wiring and other hidden utilities.
5. This unit must be grounded.
6. **NEVER** place a switch where it can be reached from a tub or shower.

SAVE THESE INSTRUCTIONS

INSTALLATION INSTRUCTIONS

CAUTION: INSTALLATION BY A LICENSED ELECTRICIAN IS RECOMMENDED. INSTALLATION AND USE OF THIS EQUIPMENT SHOULD BE IN ACCORDANCE WITH PROVISIONS OF THE NATIONAL ELECTRICAL CODE, APPLICABLE LOCAL CODES AND PERTINENT INDUSTRY STANDARDS.

CAUTION: TURN POWER OFF AT CIRCUIT BREAKER OR FUSE PANEL.

1. Remove cover plate and existing switch from wall box if one is presently installed.
2. Referring to **Diagram I** or **II** below, connect the wires from the fan/light time switch to the wires in the wall box using the wire nuts supplied.
3. Carefully place the wires and switch into wall box and secure with two mounting screws.
4. Using a small screwdriver, set time required by dialing the TIME SET switch found in the upper left corner of plate to desired position (**Diagram A**).
5. Install wall plate. Make sure the switch is set to the OFF position.
6. Turn power on at circuit breaker or fuse panel.

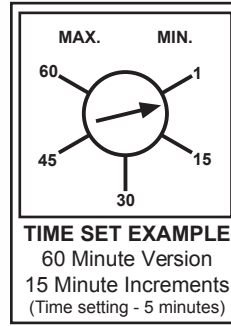
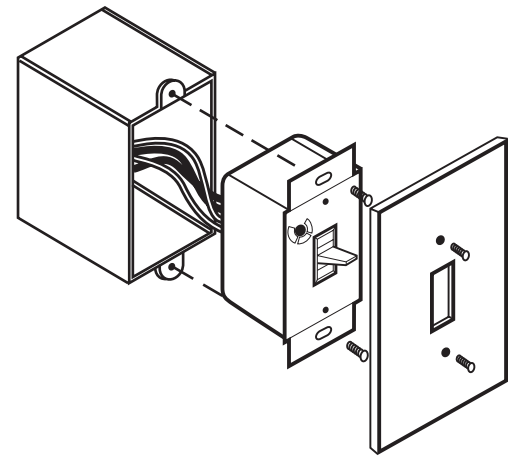
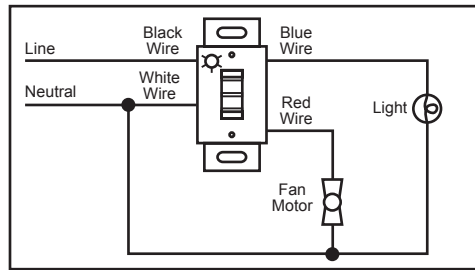


Diagram A

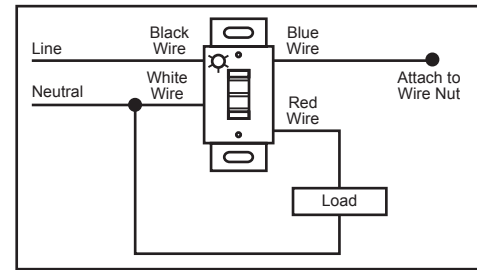


WIRING DIAGRAMS

I. Standard Fan/Light Application

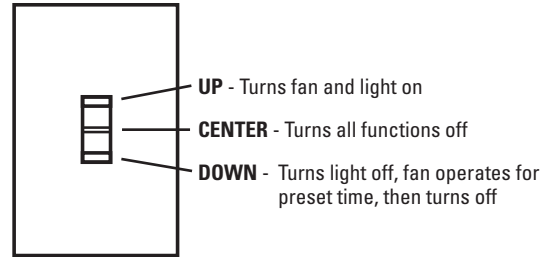


II. Single Timed Load Application



OPERATING INSTRUCTIONS

1. To turn fan and light on for continuous operation, move paddle switch upwards to the ON position.
2. Move paddle switch downwards to the TIME position to turn the light off. The fan will stay on for the timing cycle.
3. To turn the fan and light off, move the paddle switch to the center OFF position.



LIMITED WARRANTY

WHAT THIS WARRANTY COVERS: This product is warranted against defects in workmanship and/or materials.

HOW LONG THIS WARRANTY LASTS: This warranty extends only to the original purchaser of the product and lasts for one (1) year from the date of original purchase or until the original purchaser of the product sells or transfers the product, whichever first occurs.

WHAT AIR KING WILL DO: During the warranty period, Air King will, at its sole option, repair or replace any part or parts that prove to be defective or replace the whole product with the same or comparable model.

WHAT THIS WARRANTY DOES NOT COVER: This warranty does not apply if the product was damaged or failed because of accident, improper handling or operation, shipping damage, abuse, misuse, unauthorized repairs made or attempted. This warranty does not cover shipping costs for the return of products to Air King for repair or replacement. Air King will pay return shipping charges from Air King following warranty repairs or replacement.

ANY AND ALL WARRANTIES, EXPRESSED OR IMPLIED (INCLUDING, WITHOUT LIMITATION, ANY IMPLIED WARRANTY OF MERCHANTABILITY), LAST ONE YEAR FROM THE DATE OF ORIGINAL PURCHASE OR UNTIL THE ORIGINAL PURCHASER OF THE PRODUCT SELLS OR TRANSFERS THE PRODUCT, WHICHEVER FIRST OCCURS AND IN NO EVENT SHALL AIR KING'S LIABILITY UNDER ANY EXPRESS OR IMPLIED WARRANTY INCLUDE (I) INCIDENTAL OR CONSEQUENTIAL DAMAGES FROM ANY CAUSE WHATSOEVER, OR (II) REPLACEMENT OR REPAIR OF ANY HOUSE FUSES, CIRCUIT BREAKERS OR RECEPTACLES. NOTWITHSTANDING ANYTHING TO THE CONTRARY, IN NO EVENT SHALL AIR KING'S LIABILITY UNDER ANY EXPRESS OR IMPLIED WARRANTY EXCEED THE PURCHASE PRICE OF THE PRODUCT AND ANY SUCH LIABILITY SHALL TERMINATE UPON THE EXPIRATION OF THE WARRANTY PERIOD.

Some states and provinces do not allow limitations on how long an implied warranty lasts, or the exclusion or limitation of incidental or consequential damages, so these exclusions or limitations may not apply to you. This warranty gives you specific legal rights. You may also have other rights which vary from state to state and province to province. Proof of purchase is required before a warranty claim will be accepted.

CUSTOMER SERVICE:

Toll-Free (800) 465-7300

Our Customer Service team is available to assist you with product questions, service center locations, and replacement parts. They can be reached Monday through Friday, 8am-4pm Eastern. Please have your model number available, as well as the type and style (located on the label inside of your product).

Please do not return product to place of purchase.

www.airkinglimited.com

PARTS FOR DISCONTINUED, OBSOLETE AND CERTAIN OTHER PRODUCTS MAY NOT BE AVAILABLE. DUE TO SAFETY REASONS, MANY ELECTRONIC COMPONENTS AND MOST HEATER COMPONENTS ARE NOT AVAILABLE TO CONSUMERS FOR INSTALLATION OR REPLACEMENT.