

IMPORTANT INSTRUCTIONS - OPERATING MANUAL

Cantabria™ Series



Range Hood

READ AND SAVE THESE INSTRUCTIONS

READ CAREFULLY BEFORE ATTEMPTING TO ASSEMBLE, INSTALL, OPERATE OR MAINTAIN THE PRODUCT DESCRIBED. PROTECT YOURSELF AND OTHERS BY OBSERVING ALL SAFETY INFORMATION. FAILURE TO COMPLY WITH INSTRUCTIONS COULD RESULT IN PERSONAL INJURY AND/OR PROPERTY DAMAGE!

RETAIN INSTRUCTIONS FOR FUTURE REFERENCE.

GENERAL SAFETY INFORMATION

When using electrical appliances, basic precautions should always be followed to reduce the risk of fire, electric shock and injury to person, including the following:

WARNING: TO REDUCE THE RISK OF FIRE, ELECTRIC SHOCK AND INJURY TO PERSON, OBSERVE THE FOLLOWING:

1. Read all instructions before installing or using range hood.
2. Use this unit only in the manner intended by the manufacturer. If you have questions, contact the manufacturer.
3. Before servicing or cleaning the unit, switch power off at service panel and lock the service disconnecting means to prevent power from being switched on accidentally. When the service disconnecting means cannot be locked, securely fasten a prominent warning device, such as a tag, to the service panel.
4. Installation work and electrical wiring must be done by qualified person(s) in accordance with all applicable codes and standards, including fire-related construction.
5. Sufficient air is needed for proper combustion and exhausting of gases through the flue (chimney) of fuel burning equipment to prevent back drafting. Follow the heating equipment manufacturer's guideline and safety standards such as those published by the National Fire Protection Association (NFPA) and the American Society for Heating, Refrigeration, and Air Conditioning Engineers (ASHRAE), and the local code authorities.

CAUTION: FOR GENERAL VENTILATING USE ONLY. DO NOT USE TO EXHAUST HAZARDOUS OR EXPLOSIVE MATERIALS AND VAPORS.

6. When cutting or drilling into wall or ceiling, do not damage electrical wiring and other hidden utilities.

CAUTION: TO REDUCE THE RISK OF FIRE AND TO PROPERLY EXHAUST AIR, BE SURE TO DUCT AIR OUTSIDE - DO NOT VENT EXHAUST AIR INTO SPACES WITHIN WALLS OR CEILINGS OR INTO ATTICS, CRAWL SPACES, OR GARAGES.

7. This unit must be grounded.
8. To avoid motor bearing damage and noisy and/or unbalanced impellers, keep drywall spray, construction dust, etc. off power unit.

WARNING: TO REDUCE THE RISK OF FIRE, ELECTRIC SHOCK, DO NOT USE THIS FAN WITH ANY SOLID-STATE SPEED CONTROL DEVICE.

WARNING: TO REDUCE THE RISK OF A RANGE TOP GREASE FIRE:

- a) Never leave surface units unattended at high settings. Boilovers cause smoking and greasy spillovers that may ignite. Heat oils slowly on low or medium settings.
- b) Always turn hood ON when cooking at high heat or when flambéing food (ie. Crepes Suzette, Cherries Jubilee, Peppercorn Beef Flambé).
- c) Clean ventilating fans frequently. Grease should not be allowed to accumulate on fan filter.
- d) Use proper pan size. Always use cookware appropriate for the size of the surface element.

WARNING: TO REDUCE THE RISK OF INJURY TO PERSONS IN THE EVENT OF A RANGE TOP GREASE FIRE, OBSERVE THE FOLLOWING:

- a) SMOTHER FLAMES with a close-fitting lid, cookie sheet, or metal tray, then turn off burner. BE CAREFUL TO PREVENT BURNS. If the flames do not go out immediately, EVACUATE AND CALL THE FIRE DEPARTMENT.
- b) NEVER PICK UP A FLAMING PAN - You may be burned.
- c) DO NOT USE WATER, including wet dishcloths or towels - a violent steam explosion will result.
- d) Use an extinguisher ONLY if:
 - I. You know you have a Class ABC extinguisher, and you already know how to operate it.
 - II. The fire is small and contained in the area where it started.
 - III. The fire department is being called.
 - IV. You can fight the fire with your back to an exit.

WARNING: TO REDUCE THE RISK OF FIRE, USE ONLY METAL DUCTWORK.

SAVE THESE INSTRUCTIONS

INSTALLATION INSTRUCTIONS

CAUTION: MAKE SURE POWER IS SWITCHED OFF AT SERVICE PANEL BEFORE STARTING INSTALLATION.

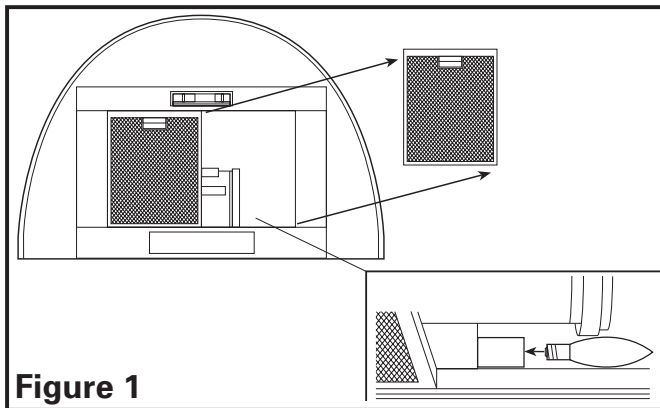
SECTION 1

Preparing the Range Hood

1. Unpack hood from the carton and confirm that all pieces are present. In addition to the range hood you should have:
 - 2 - Chimney Sections
 - 1 - Package containing:
 - 1 - duct collar
 - 2 - chimney brackets
 - 8 - wall anchors
 - 8 - 3.19 mm x 32 mm mounting screws
 - 4 - 3.9 mm x 13 mm mounting screws
 - 2 - 3.5 mm x 9.5 mm chimney screws
 - 2 - Aluminum Grease Filters (shipped installed)
 - 2 - 40 watt candelabra bulbs
 - 1 - Mounting Template
 - 1 - Instruction/Safety Sheet

NOTE: Some hoods may be shipped with a protective plastic adhered to the range hood. It is recommended to leave this in place during installation to protect the hood from scratching. Remove when the installation is complete.

2. Lay the back side of the hood flat on a table. Use a piece of cardboard to avoid damaging the table or the hood.
3. Remove the grease filters on the underside of the range hood and install the two included 40 watt candelabra bulbs. (Figure 1).



SECTION 2

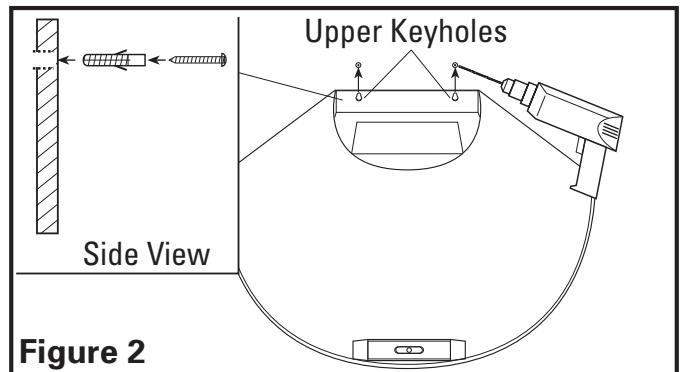
Installing the Range Hood

CAUTION: MAKE SURE POWER IS SWITCHED OFF AT SERVICE PANEL BEFORE STARTING INSTALLATION.

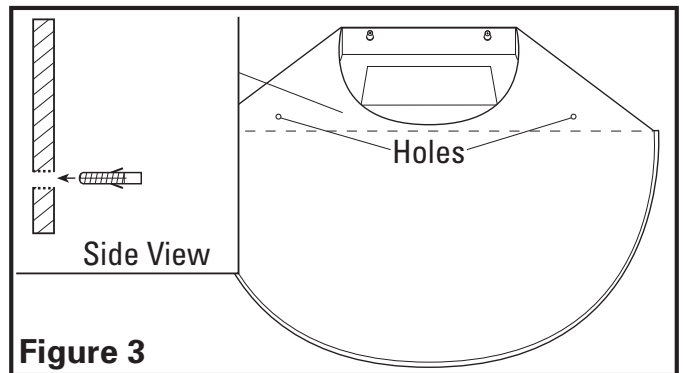
CAUTION: WHEN CUTTING OR DRILLING INTO WALL DO NOT DAMAGE ELECTRICAL WIRING AND OTHER HIDDEN UTILITIES.

1. Refer to the mounting hole drawing provided with the unit. Locate and mark the upper keyhole positions on the wall and

drill holes into wall using a 1/4" drill bit. Press the included wall anchors into the drilled holes (one for each hole). Install two 3.19 x 32 mm screws, leaving a 1/8" gap between the screw head and the wall. Line up the keyholes in the hood with the screws and position in place. Hang the hood over the keyhole anchors and verify that the hood is centered, plum and level (Figure 2).



2. With the hood hanging in place from the top screws, mark the location of the lower holes. Remove the hood and drill the bottom holes using a 1/4" drill bit. Press the included wall anchors into the drilled holes (one for each hole). Hang the hood over the keyhole anchors and verify that the hood is centered, level and the bottom holes line up with the anchors. Install the lower 3.19 x 32 mm screws into the anchors. Tighten all screws completely and reinstall the Grease filters (Figure 3).



SECTION 3

Ducting

CAUTION: ALL DUCTING MUST COMPLY WITH LOCAL AND NATIONAL BUILDING CODES.

WARNING: TO REDUCE THE RISK OF FIRE, USE ONLY METAL DUCTWORK.

NOTE: If the range hood will be run ductless, Air King Model BCCF-01 charcoal filters MUST be installed. Refer to the *Finishing the Installation* section for further instructions.

1. Install the included duct collar to the hood with two of the provided 3.9 x 13 mm screws (Figure 4).

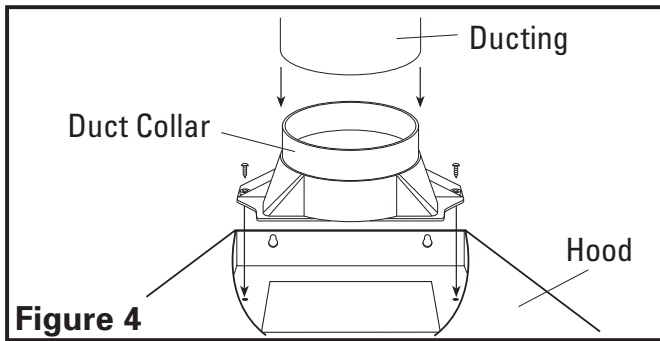


Figure 4

2. Connect the ducting to the duct collar and secure in place using tape to seal all joints (**Figure 4**).

NOTE: The duct connector is 5.8" in diameter (for 6" round ducting) and the center is located 3-3/16" inches from the back wall.

CAUTION: ALWAYS DUCT THE FAN TO THE OUTSIDE THROUGH A WALL OR ROOF CAP.

SECTION 4 Wiring

CAUTION: ALL ELECTRICAL CONNECTIONS MUST BE MADE IN ACCORDANCE WITH LOCAL CODES, ORDINANCES, OR NATIONAL ELECTRICAL CODE. IF YOU ARE UNFAMILIAR WITH METHODS OF INSTALLING ELECTRICAL WIRING, SECURE THE SERVICES OF A QUALIFIED ELECTRICIAN.

1. Attach wire compartment to the hood with two of the provided 3.9 x 13 mm screws. Remove wire compartment cover and connect the brown wire (on some models this wire will be white) from the range hood to the white wire from the supply, and the blue wire (on some models this wire will be black) from the range hood to the black wire of the supply. Connect the ground wires from the home (green or bare) and the hood (green/yellow) to the grounding screw in the wire compartment. Use approved methods for all connections (**Figure 5**).

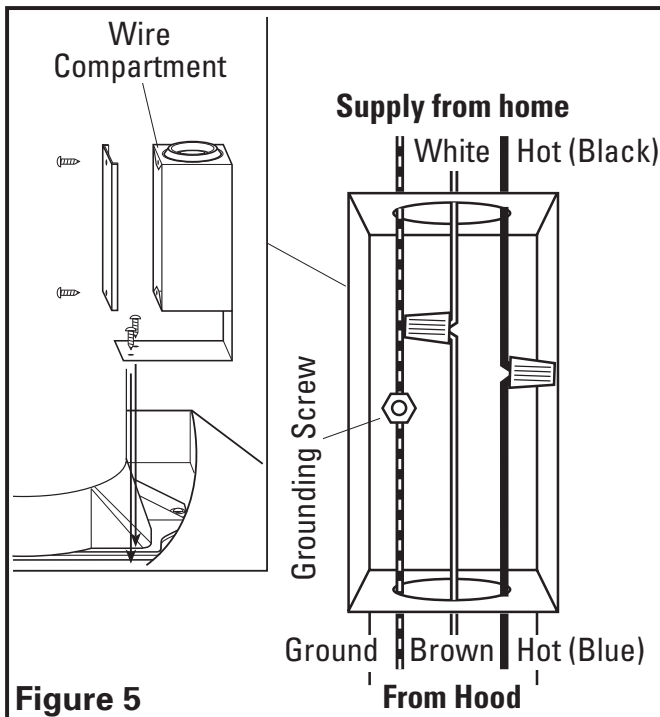


Figure 5

3. Replace the wire compartment cover and tighten screws. Make sure all wiring is securely contained within the wire compartment.

SECTION 5 Attaching the Chimney

1. Mark the location for the vertical chimney bracket:
If using the optional top chimney section: 13-3/8"
If not using top chimney section: 13-3/8"
2. Drill holes into wall using a 1/4" drill bit. Install included wall anchors into holes and secure bracket into place with two provided 3.19 x 32 mm screws (**Figure 6**).

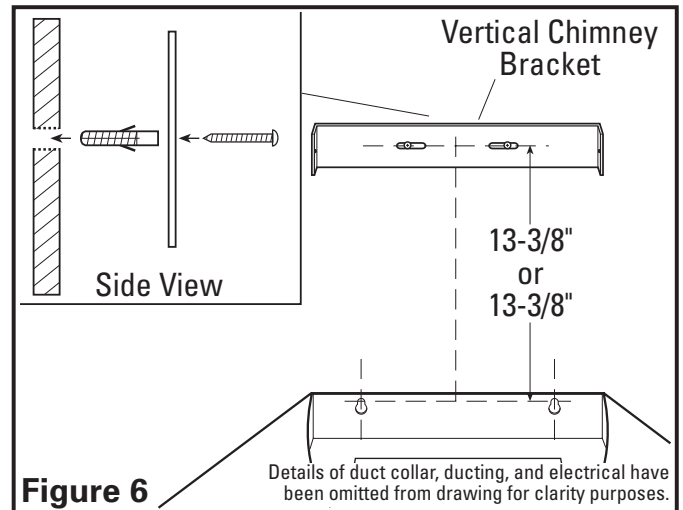


Figure 6

2. Press in appropriate tabs on bottom chimney section (section with vent holes). If using the optional top chimney, press in tabs in middle of the chimney (Position A), otherwise press in tabs at top of the chimney (Position B) (**Figure 7**).

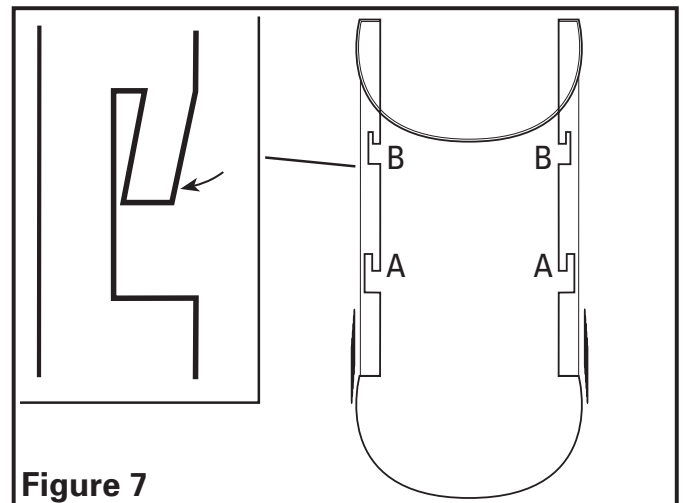


Figure 7

NOTE: If the optional top chimney section (included) will be installed, slide the top section inside of the bottom section at this point.

3. Slide chimney in place so top tabs of the chimney are secured in place on the indents of the vertical chimney bracket and the base of the chimney fits into the hood (**Figure 8**).

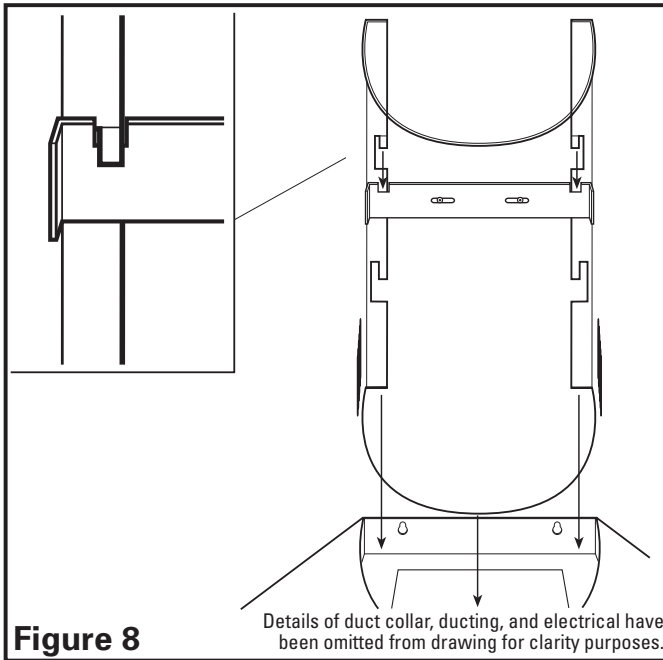


Figure 8

- To install the optional top section, mark the location of the included horizontal mounting bracket using the bracket as a template. Make sure the bracket is level and in line with the bottom section. The height will be dependent on your installation requirements. Make sure the slots in the side of the chimney will match the holes in the mounting bracket. Drill holes into wall using a 1/4" drill bit. Install included wall anchors into holes and secure bracket into place with two provided 3.19 x 32 mm screws (**Figure 9**).

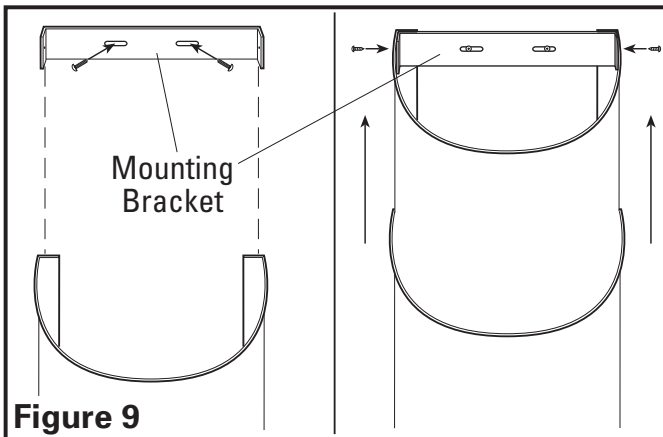


Figure 9

- Raise top chimney in place over horizontal mounting bracket and secure in place with the two included 3.5 x 9.5 mm screws (**Figure 9**).

SECTION 6 Finishing the Installation

- Install the appropriate filters.

Charcoal Filters: If the range hood will be run ductless install model BCCF-01 charcoal filters on both sides of the motor. This is done by lining up the keyhole slots of the filter with the mounting post on the motor and pressing the filter into place. Turn filter slightly, so that it locks into place (**Figure 10**).

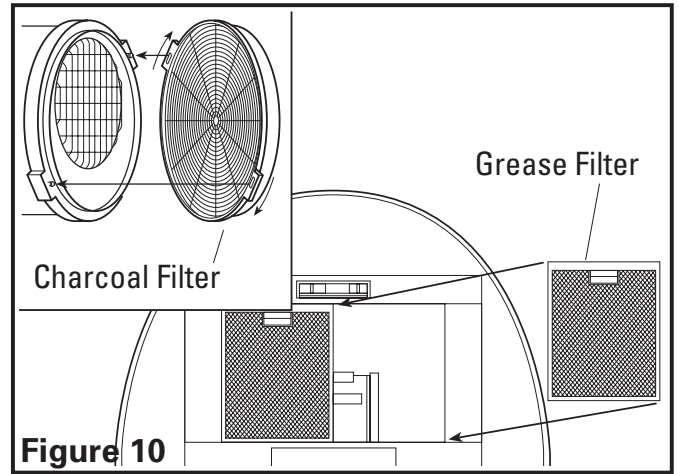


Figure 10

Grease Filters: Reinstall all grease filters by sliding tab at rear of filter into slot in hood. While holding in handle of filter, lift filter into place and release handle. The filter should snap securely into place (**Figure 10**).

NOTE: If your model is equipped with a filter screw, slide tab at rear of filter into slot in hood and secure filters in place by tightening screw located at front of filter. **DO NOT OVERTIGHTEN.**

- Remove any protective plastic adhered to the range hood.
- Turn switches to the OFF (●) position and restore power. Test that the light and the fan are operating properly.
- If there is any vibration noise, check for the source and try to tighten fasteners or adjust the tape to make a tighter connection or seal.

SECTION 7 Operation

Controls

Your Range Hood is equipped with two sliding switches with one controlling the lighting and the other controlling the exhaust fan. The light control has two positions, ON (☀) and OFF (●). The fan is a four position control, HIGH (III), MEDIUM (II), LOW (I), and OFF (●) (**Figure 11**).

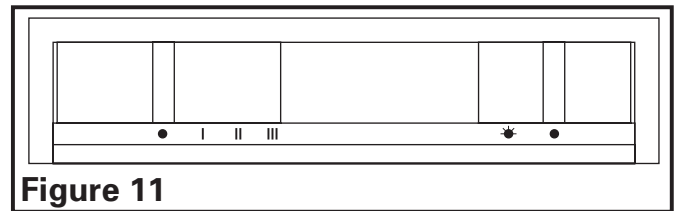


Figure 11

SECTION 8 Maintenance

CAUTION: MAKE SURE POWER IS SWITCHED OFF AT SERVICE PANEL BEFORE SERVICING THE UNIT.

Filters

Grease Filter - Included with your range hood are aluminum grease filters that should be washed at least once a month.

The filters are dishwasher safe and should be washed in a mild soap or detergent. Refer to *Step 3 of Section 1 Preparing the Range Hood*, to remove filters. If the grease filters become damaged, replace with Air King Model BCGF-01 Grease Filter.

Charcoal Odor Filter - If you have installed the optional charcoal odor filters, they cannot be washed and must be discarded and replaced when they become noticeably dirty, have stopped filtering the odors, or at least once per year. Replace with Air King Model BCCF-01 Odor Filters.

Cleaning

CAUTION: DO NOT USE GASOLINE, BENZINE, THINNER, HARSH CLEANSERS, ETC., AS THEY MAY DAMAGE THE RANGE HOOD.

1. Clean your range hood with a mild detergent, such as dishwashing liquid, and dry with a soft cloth. **NEVER USE ANY ABRASIVE PADS OR SCOURING POWDERS.** Completely dry before restoring power. **NEVER IMMERSE ELECTRICAL PARTS IN WATER.**
2. The fan assembly can be vacuumed when build up (dirt, lint, etc.) accumulates over time. The fan is permanently lubricated and does not require oiling.

Troubleshooting Guide

Trouble	Probable Cause	Suggested Remedy
1. Hood does not operate when the switch is on.	1a. A fuse may be blown or a circuit tripped. 1b. Wiring is not connected properly.	1a. Replace fuse or reset circuit breaker. 1b. Turn off power to unit. Check that all wires are connected.
2. Hood is operating, but air moves slower than normal.	2. Obstruction in the exhaust ducting.	2. Check for any obstructions in the ducting including filter.
3. Hood is making a rattling noise.	3a. Filters are loose. 3b. Duct connection is loose.	3a. Turn off power to unit. Check that all filter screws are fully tightened. 3b. Turn off power to unit. Check that duct connection is tight.

LIMITED WARRANTY

All products manufactured by Air King Limited are warranted for one year from the date of purchase against defects in workmanship and/or material. In addition, all ventilating/exhaust fans, heaters, combination fan lights and/or heaters, and range hoods are guaranteed for five years from the date of purchase against defects in workmanship and/or material.

This warranty does not cover any labor or shipping costs or the cost of replacement components as part of routine maintenance such as: range hood grease filters, charcoal filters or combination charcoal/grease filters; replacement light bulbs in range hoods or bathroom fan/light/bulb heater combinations. As well, any damage or failure caused by abuse, misuse, abnormal usage, faulty installation, or improper maintenance will not be covered by this warranty.

In order to make a claim on this warranty, you must be the original consumer of the product. You will be required to present to Air King the original bill of sale showing: date of purchase, place of purchase and model purchased. Failure to meet these requirements will void your warranty.

Air King will not be held responsible for any bodily injury or damages to personal property or real estate whether caused directly or indirectly by the product. Some states and provinces do not allow the exclusion or limitation of incidental or consequential damages and some states do not allow limitations on how long an implied warranty lasts, so these exclusions or limitations may not apply to you. This warranty gives you specific legal rights and you may have other rights which vary from state to state and province to province.

FOR PARTS OR TECHNICAL ASSISTANCE

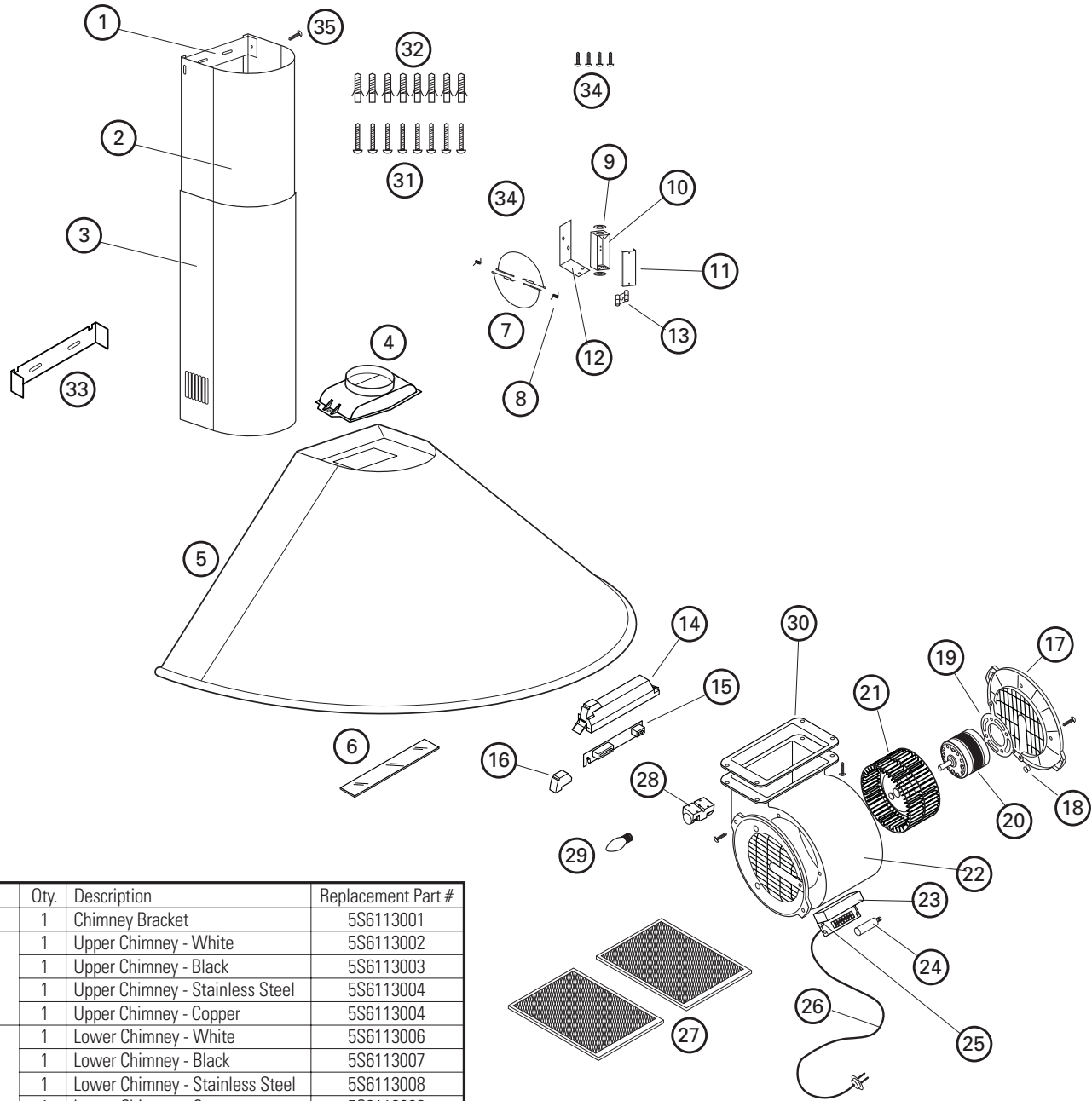
Please call: 1-800-465-7300, **MONDAY THROUGH FRIDAY, BETWEEN THE HOURS OF 8 AM AND 4:00 PM EST.**
PLEASE DO NOT RETURN PRODUCT TO PLACE OF PURCHASE.

Reference the type and style of product (located on label inside of the product) when you call.
For more information please visit our website: www.airkinglimited.com

Installer: _____ Installation Date: _____

Place of Purchase: _____ Model Number: _____

REPLACEMENT PARTS DIAGRAM



#	Qty.	Description	Replacement Part #
1	1	Chimney Bracket	5S6113001
2	1	Upper Chimney - White	5S6113002
	1	Upper Chimney - Black	5S6113003
	1	Upper Chimney - Stainless Steel	5S6113004
	1	Upper Chimney - Copper	5S6113004
3	1	Lower Chimney - White	5S6113006
	1	Lower Chimney - Black	5S6113007
	1	Lower Chimney - Stainless Steel	5S6113008
	1	Lower Chimney - Copper	5S6113008
4	1	Collar	5S6113014
5	1	Body	5S6113017
6	1	Light Lens	5S6113024
7	1	Damper	5S6113082
8	2	Damper Springs	5S6113083
9	2	Washer	5S6113009
10	1	Wire Compartment	5S6113010
11	1	Wire Compartment Cover	5S6113011
12	1	Wire Compartment Barcket	5S6113012
13	1	Wire Clamp	5S6113013
14	1	Control Panel Compartment	5S6113085
15	1	Motor Switch	5S6113086
16	1	Light Switch	5S6113087
17	1	Motor Grill	5S6113088
18	1	Shock Absorber	5S6113089
19	1	Motor Mounting Bracket	5S6113090
20	1	Motor	5S6113091

#	Qty.	Description	Replacement Part #
21	1	Fan Blade	5S6113071
22	1	Motor Housing	5S6113092
23	1	Motor Connection Box	5S6113093
24	1	Capacitor	5S6113094
25	1	Terminal Strip	5S6113095
26	1	Wire	5S6113096
27	2	Filter	5S6113028
28	2	Lamp Holder	5S6113097
29	2	Bulb	5S6113027
30	1	Gasket	5S6113098
31	8	Mounting Screws	5S6113099
32	8	Mounting Anchors	5S6113100
33	1	Chimney Mounting Bracket	5S6113005
34	4	Mounting Screw	5S6113101
35	2	Chimney Screws	5S6113102

