

IMPORTANT INSTRUCTIONS - OPERATING MANUAL

MD624



Motorized Damper



READ AND SAVE THESE INSTRUCTIONS
READ CAREFULLY BEFORE ATTEMPTING TO ASSEMBLE, INSTALL, OPERATE OR MAINTAIN THE PRODUCT DESCRIBED. PROTECT YOURSELF AND OTHERS BY OBSERVING ALL SAFETY INFORMATION. FAILURE TO COMPLY WITH INSTRUCTIONS COULD RESULT IN PERSONAL INJURY AND/OR PROPERTY DAMAGE!



RETAIN INSTRUCTIONS FOR FUTURE REFERENCE.

GENERAL SAFETY INFORMATION



When using electrical appliances, basic precautions should always be followed to reduce the risk of fire, electric shock and injury to person, including the following:



WARNING: TO REDUCE THE RISK OF FIRE, ELECTRIC SHOCK AND INJURY TO PERSON, OBSERVE THE FOLLOWING:

- a) Use this unit only in the manner intended by the manufacturer. If you have questions, contact the manufacturer.
- b) Before servicing or cleaning the unit, switch power off at service panel and lock the service disconnecting means to prevent power from being switched on accidentally. When the service disconnecting means cannot be locked, securely fasten a prominent warning device, such as a tag, to the service panel.



CAUTION: FOR GENERAL VENTILATING USE ONLY. DO NOT USE TO EXHAUST HAZARDOUS OR EXPLOSIVE MATERIALS AND VAPORS.

- d) This unit must be grounded.
- e) To avoid motor bearing damage and noisy and/or unbalanced impellers, keep drywall spray, construction dust, etc. off power unit.
- f) Read all instructions before installing or using exhaust fan.
- g) For residential installations only.
- h) Must use suitable weather hood with insect screen to protect air intake.



WARNING: TO REDUCE THE RISK OF FIRE, ELECTRIC SHOCK AND INJURY TO PERSON, OBSERVE THE FOLLOWING:

- a) Installation work and electrical wiring must be done by qualified person(s) in accordance with all applicable codes and standards, including fire-related construction.
- b) Sufficient air is needed for proper combustion and exhausting of gases through the flue (chimney) of fuel burning equipment to prevent back drafting. Follow the heating equipment manufacturer's guideline and safety standards such as those published by the National Fire Protection Association (NFPA) and the American Society for Heating, Refrigeration, and Air Conditioning Engineers (ASHRAE), and the local code authorities.
- c) When cutting or drilling into wall or ceiling, do not damage electrical wiring and other hidden utilities.



WARNING: TO REDUCE THE RISK OF FIRE, ELECTRIC SHOCK, DO NOT USE THIS FAN WITH ANY SOLID-STATE SPEED CONTROL DEVICE.

- a) Must be connected to a GFCI (ground fault circuit interrupter) protected branch circuit.



WARNING: DO NOT USE IN KITCHENS.



WARNING: THE DUCTING FROM THIS FAN HAS A STRONG EFFECT ON THE AIR FLOW, NOISE AND ENERGY USE OF THE FAN. USE THE SHORTEST, STRAIGHTEST DUCT ROUTING POSSIBLE FOR BEST PERFORMANCE, AND AVOID INSTALLING THE FAN WITH SMALLER DUCTS THAN RECOMMENDED. INSULATION AROUND THE DUCTS CAN REDUCE ENERGY LOSS AND INHIBIT MOLD GROWTH.

Installing Contractor: _____

Installation Date: _____

Model Number: MD624

SAVE THESE INSTRUCTIONS

INSTALLATION INSTRUCTIONS



CAUTION: MAKE SURE POWER IS SWITCHED OFF AT SERVICE PANEL BEFORE STARTING INSTALLATION.



CAUTION: MAKE SURE THE MAIN UNIT IS INSTALLED ACCORDING TO ALL INSTRUCTIONS INCLUDED WITH THE UNIT.



WARNING: THIS UNIT IS TO BE USED ONLY WITH QFRESH BY AIR KING MODELS CAPABLE OF ACCEPTING THE 24V TRANSFORMER.

SECTION 1

Preparing the Fan

1. Unpack unit from the carton and confirm that all pieces are present. In addition to the motorized damper you should have:
 - 1 - 24V transformer
 - 1 - Instruction/Safety Sheet

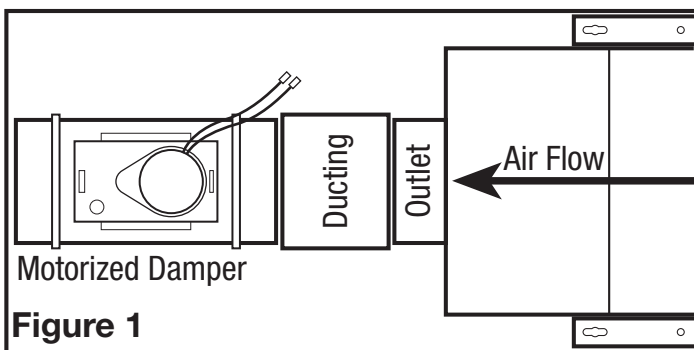
NOTE: FOR INSTALLATION TO QFRESH BY AIR KING QFAM MODELS, A QMDB RECEPTACLE WILL BE REQUIRED (AVAILABLE SEPARATELY). FOLLOW ALL INSTRUCTION INCLUDED WITH THE QMDB BEFORE STARTING THE MOTORIZED DAMPER INSTALLATION.

NOTE: The MD624 includes a cable tie and plastic bushing inside the box. These parts are not utilized with this installation. The bushing included with the QMDB should be utilized instead.

SECTION 2

Installation

1. Install the motorized damper to the outlet (discharge) side of the unit using 6" rigid ducting and seal with appropriately rated tape. Use screws or suitable clamps to secure in place. If any additional ducting will be installed to the outlet side of the motorized damper (as with an inline installation) repeat the same procedure as above (Figure 1).

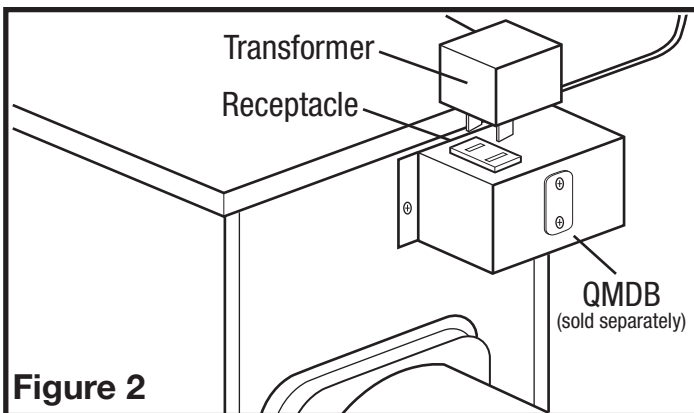


CAUTION: MAKE SURE POWER IS SWITCHED OFF AT SERVICE PANEL BEFORE STARTING INSTALLATION.



CAUTION: ALL ELECTRICAL CONNECTIONS MUST BE MADE IN ACCORDANCE WITH LOCAL CODES, ORDINANCES, OR NATIONAL ELECTRICAL CODE. IF YOU ARE UNFAMILIAR WITH METHODS OF INSTALLING ELECTRICAL WIRING, SECURE THE SERVICES OF A QUALIFIED ELECTRICIAN.

2. Plug the 24VAC transformer into the receptacle on the QMDB (Figure 2).

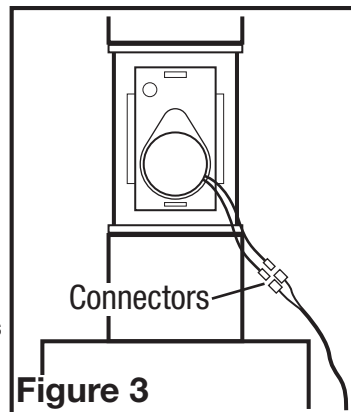


3. Run the lead wires from the transformer to the motorize damper. Make the electrical connections to the motorized damper by connecting the wires from the damper to the pre installed ends (Figure 3).
4. Restore power and test your installation.

SECTION 3

Operation

1. The receptacle will be energized anytime the fan is running. This will in turn open the motorized damper. When the unit stops running, the damper will close.



CALIFORNIA RESIDENTS ONLY:



WARNING: THIS PRODUCT CAN EXPOSE YOU TO A CHEMICAL [OR CHEMICALS] KNOWN TO THE STATE OF CALIFORNIA TO CAUSE CANCER.



WARNING: THIS PRODUCT CAN EXPOSE YOU TO A CHEMICAL [OR CHEMICALS] KNOWN TO THE STATE OF CALIFORNIA TO CAUSE REPRODUCTIVE TOXICITY.