

# IMPORTANT INSTRUCTIONS - OPERATING MANUAL

Models: P1030M, P1036M, P1830M,  
P1836M, P1848M



Outdoor Kitchen Professional  
Range Hood Series

## READ AND SAVE THESE INSTRUCTIONS

READ CAREFULLY BEFORE ATTEMPTING TO ASSEMBLE, INSTALL, OPERATE OR MAINTAIN THE PRODUCT DESCRIBED. PROTECT YOURSELF AND OTHERS BY OBSERVING ALL SAFETY INFORMATION. FAILURE TO COMPLY WITH INSTRUCTIONS COULD RESULT IN PERSONAL INJURY AND/OR PROPERTY DAMAGE!

RETAIN INSTRUCTIONS FOR FUTURE REFERENCE.

## GENERAL SAFETY INFORMATION

When using electrical appliances, basic precautions should always be followed to reduce the risk of fire, electric shock and injury to person, including the following:

**WARNING: TO REDUCE THE RISK OF FIRE, ELECTRIC SHOCK AND INJURY TO PERSON, OBSERVE THE FOLLOWING:**

- Use this unit only in the manner intended by the manufacturer. If you have questions, contact the manufacturer.
- Before servicing or cleaning the unit, switch power off at service panel and lock the service disconnecting means to prevent power from being switched on accidentally. When the service disconnecting means cannot be locked, securely fasten a prominent warning device, such as a tag, to the service panel.

**WARNING: TO REDUCE THE RISK OF FIRE, ELECTRIC SHOCK AND INJURY TO PERSON, OBSERVE THE FOLLOWING:**

- Installation work and electrical wiring must be done by qualified person(s) in accordance with all applicable codes and standards, including fire-related construction.
- Sufficient air is needed for proper combustion and exhausting of gases through the flue (chimney) of fuel burning equipment to prevent back drafting. Follow the heating equipment manufacturer's guideline and safety standards such as those published by the National Fire Protection Association (NFPA) and the American Society for Heating, Refrigeration, and Air Conditioning Engineers (ASHRAE), and the local code authorities.
- When cutting or drilling into wall or ceiling, do not damage electrical wiring and other hidden utilities.

**CAUTION: TO REDUCE THE RISK OF FIRE AND TO PROPERLY EXHAUST AIR, BE SURE TO DUCT AIR OUTSIDE - DO NOT VENT EXHAUST AIR INTO SPACES WITHIN WALLS OR CEILINGS OR INTO ATTICS, CRAWL SPACES, OR GARAGES.**

- Ducted fans must always be vented to the outdoors.
- This unit must be grounded.
- To avoid motor bearing damage and noisy and/or unbalanced impellers, keep drywall spray, construction dust, etc. off power unit.
- Read all instructions before installing or using exhaust fan.

**WARNING: TO REDUCE THE RISK OF FIRE, ELECTRIC SHOCK, DO NOT USE THIS FAN WITH ANY SOLID-STATE SPEED CONTROL DEVICE.**

**WARNING: TO REDUCE THE RISK OF A RANGE TOP GREASE FIRE:**

- Never leave surface units unattended at high settings. Boilovers cause smoking and greasy spillovers that may ignite. Heat oils slowly on low or medium settings.
- Always turn hood ON when cooking at high heat or when flambéing food (ie. Crepes Suzette, Cherries Jubilee, Peppercorn Beef Flambé).
- Clean ventilating fans frequently. Grease should not be allowed to accumulate on fan filter.
- Use proper pan size. Always use cookware appropriate for the size of the surface element.

**WARNING: TO REDUCE THE RISK OF INJURY TO PERSONS IN THE EVENT OF A RANGE TOP GREASE FIRE, OBSERVE THE FOLLOWING:**

- SMOTHER FLAMES with a close-fitting lid, cookie sheet, or metal tray, then turn off burner. BE CAREFUL TO PREVENT BURNS. If the flames do not go out immediately, EVACUATE AND CALL THE FIRE DEPARTMENT.
- NEVER PICK UP A FLAMING PAN - You may be burned.
- DO NOT USE WATER, including wet dishcloths or towels - a violent steam explosion will result.
- Use an extinguisher ONLY if:
  - You know you have a Class ABC extinguisher, and you already know how to operate it.
  - The fire is small and contained in the area where it started.
  - The fire department is being called.
  - You can fight the fire with your back to an exit.

**WARNING: TO REDUCE THE RISK OF FIRE, USE ONLY METAL DUCTWORK.**

## SAVE THESE INSTRUCTIONS

# INSTALLATION INSTRUCTIONS

**CAUTION: MAKE SURE POWER IS SWITCHED OFF AT SERVICE PANEL BEFORE STARTING INSTALLATION.**

**NOTE:** Outdoor Kitchen Professional Range Hoods are approved for use in covered outdoor kitchens only. Proper duct adapters, ducting, chimneys, roof/wall caps, etc. must be utilized as called out in the following instructions. Do not install the hood in an uncovered area directly exposed to the elements.

## SECTION 1

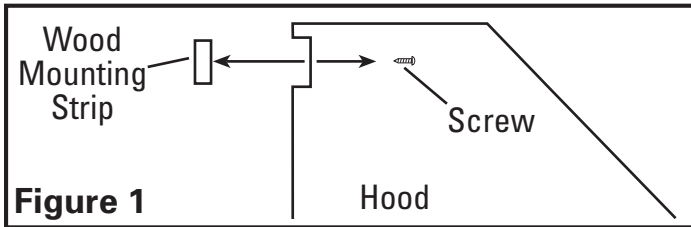
### Preparing the Range Hood

1. Unpack hood from the carton and confirm that all pieces are present. In addition to the range hood you should have:

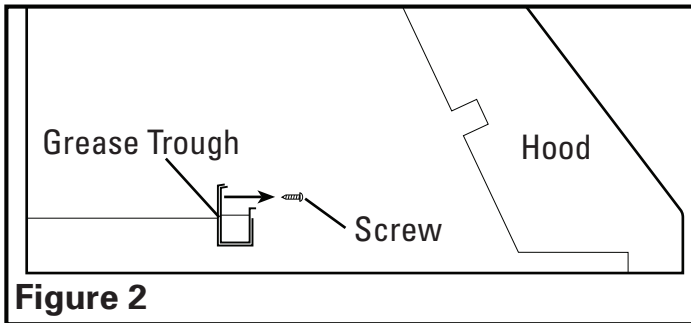
- 1 - Package containing:
  - 3 - 2" wood screws
  - 8 - 3/4" wood screws (36" models: 12 / 42", 48" models: 16)
  - 4 - wall anchors (36" models: 6 / 42", 48" models: 8)
- 30" models: 2 - PHGB3 large baffles, one spacer
- 36" models: 2 - PHGB3 large baffles, one PHGB1 small baffle
- 42" models: 2 - PHGB3 large baffles, one PHGB2 medium baffle
- 48" models: 3 - PHGB3 large baffles, two spacer
- 1 - Grease trough
- 2 - Halogen Lamps (some models include 3)
- 1 - Wood mounting strip
- 1 - Instruction/Safety Sheet

**NOTE:** Some hoods may be shipped with a protective plastic adhered to the range hood. It is recommended to leave this in place during installation to protect the hood from scratching. Remove when the installation is complete.

2. Remove the wood mounting strip attached to the back of the hood and place in a secure place. You will need this strip later (**Figure 1**).



3. Remove the two screws securing the grease trough in place. These have been installed for protection during shipping (**Figure 2**).



**CAUTION: MAKE SURE POWER IS SWITCHED OFF AT SERVICE PANEL BEFORE STARTING INSTALLATION.**

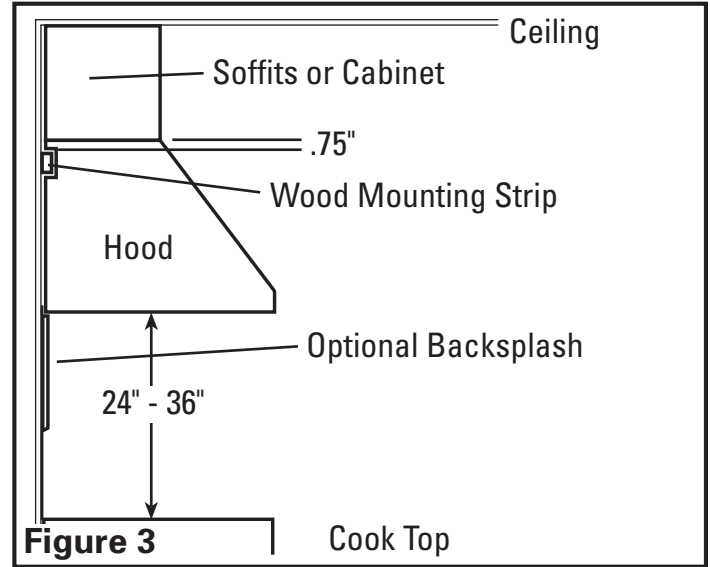
**CAUTION: WHEN CUTTING OR DRILLING INTO WALL DO NOT DAMAGE ELECTRICAL WIRING AND OTHER HIDDEN UTILITIES.**

## SECTION 2

### Measuring the Hood Installation

**NOTE:** Before installing any parts or marking locations, make sure you have decided how your ducting will be installed. You may need to modify the wall structure as described in **Section 5 Wall Mounted Canopy Installation** or **Section 6 Under Cabinet Canopy Installation**.

1. The measurements for the installation will be custom to your specific location and will be dependent upon exact ceiling height, distance mounted from cooking surface, cabinet or soffit heights, along with other factors and will need to be adjusted accordingly. The hood must be mounted a minimum of 24" and a maximum of 36" from the cooking surface (**Figure 3**).

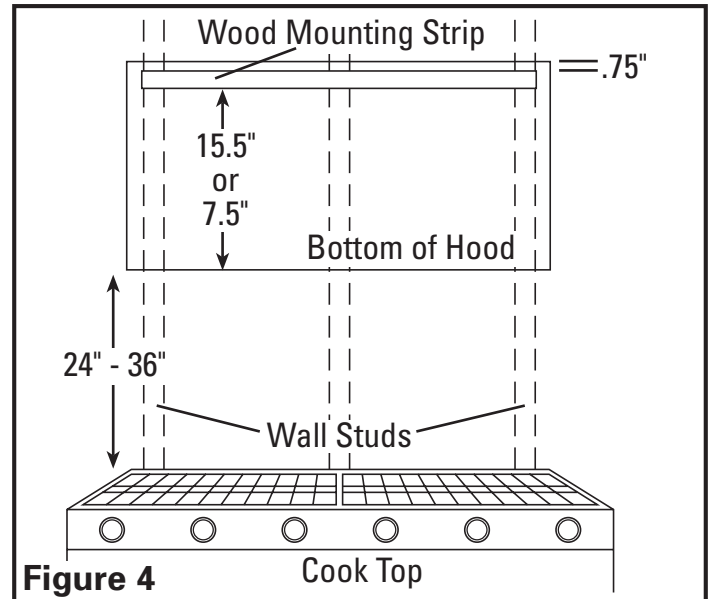


**NOTE:** When determining the height of the canopy from the cooking surface, be sure to take into consideration items such as back splashes with shelves and other accessories that might need more clearance under the canopy.

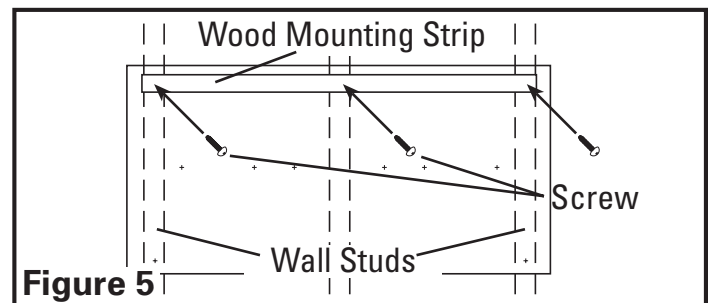
## SECTION 3

### Measuring the Installation

1. Determine where the top of the hood will be located within your installation (**Figure 4**).



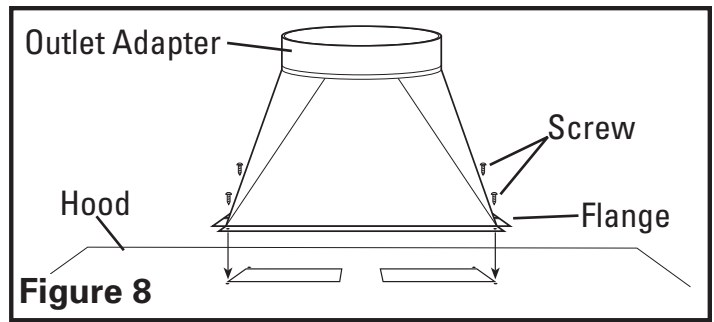
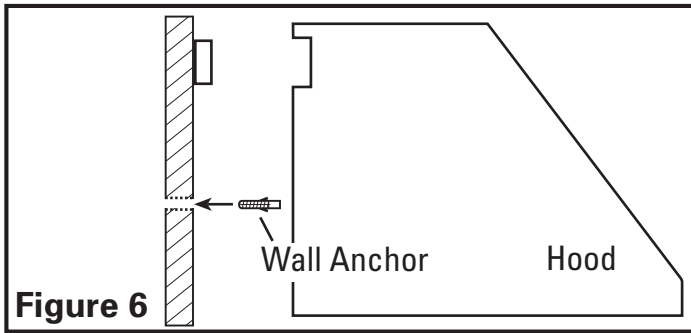
2. Attach the wood strip that was removed in **Section 1 Step 2** in place and confirm it is level. Secure in place using the provided 2" mounting screws making sure the screws are fastening into the wall studs (**Figure 5**).



**CAUTION:** DUE TO THE WEIGHT OF THE HOOD, ENSURE THE WOOD STRIP IS FASTENED TO ALL AVAILABLE WALL STUDS (A MINIMUM OF 2 STUDS FOR 30" HOODS, MORE AS THE WIDTH INCREASES) NOT INTO THE DRYWALL ALONE.

**CAUTION:** SUPPORT THE HOOD UNTIL IT IS FULLY INSTALLED ONTO THE WOOD MOUNTING STRIP.

- Rest the cavity in the back side of the hood on the wood strip and mark drilling locations on the wall for wall anchors on the bottom rear of the hood then remove hood and install wall anchors (Figure 6).



**NOTE:** If the recommended, optional BS Series backsplash is being installed it must be installed before the hood canopy because the hood canopy will cover the backsplash mounting screws. Refer to the instructions included with the backsplash for complete installation instructions.

- Rest the cavity in the back side of the hood on the wood strip and secure hood to wood strip with the included 3/4" screws through the holes in the back of the hood that line up with the wood strip (use 6 screws for 30" and 36" widths and 8 screws for larger widths) Secure the bottom of the hood by installing the screws provided into the wall anchors (Figure 9).

## SECTION 4

### Installing Backsplash

- If an optional BS Series backsplash will be utilized, this must be installed before the hood canopy because the hood canopy will cover the backsplash mounting screws. Refer to the instructions included with the backsplash for installation.

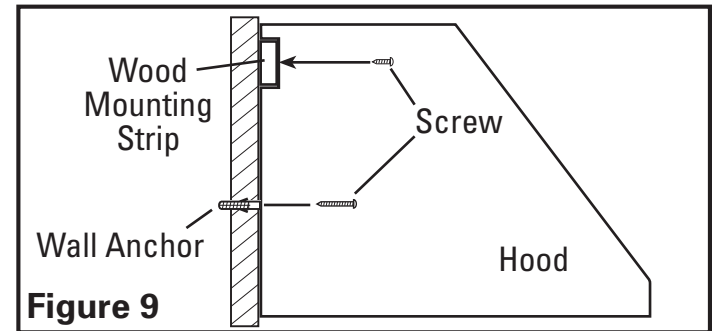
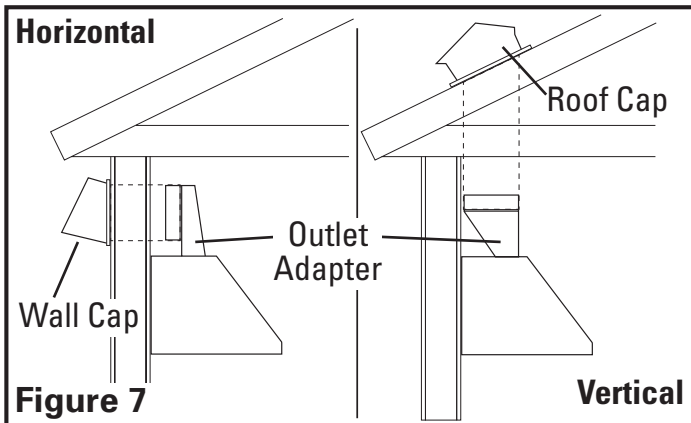
## SECTION 5

### Wall Mounted Canopy Installation

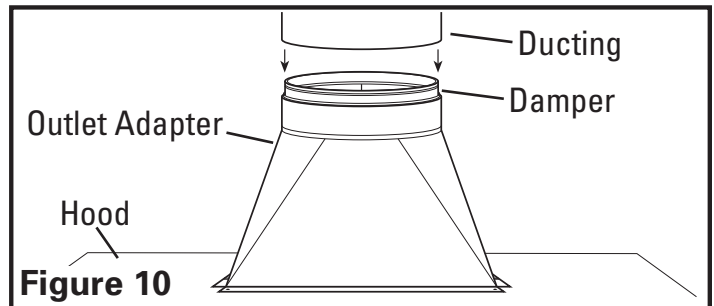
**CAUTION:** ALL DUCTING MUST COMPLY WITH LOCAL AND NATIONAL BUILDING CODES.

**WARNING:** TO REDUCE THE RISK OF FIRE, USE ONLY METAL DUCTWORK.

- Determine the type of ducting you will require (Figure 7).



- Connect the ducting to the outlet adapter and damper. Secure in place using tape to seal all joints (Figure 10).



## SECTION 6

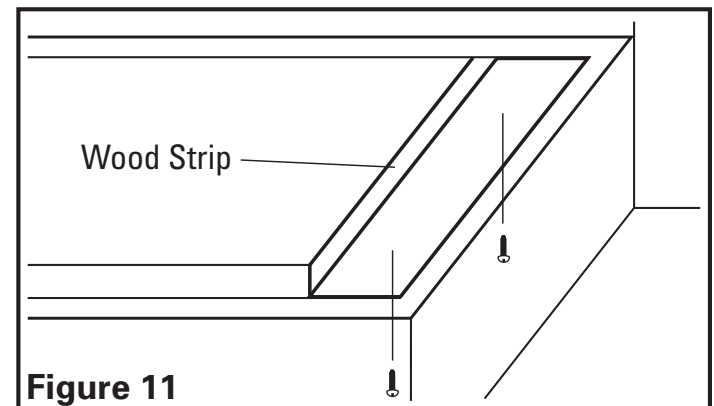
### Under Cabinet Canopy Installation

- If the canopy will be installed under cabinets that have a recessed bottom, it will be necessary to install wood mounting strips (not included) so the canopy will mount properly (Figure 11).

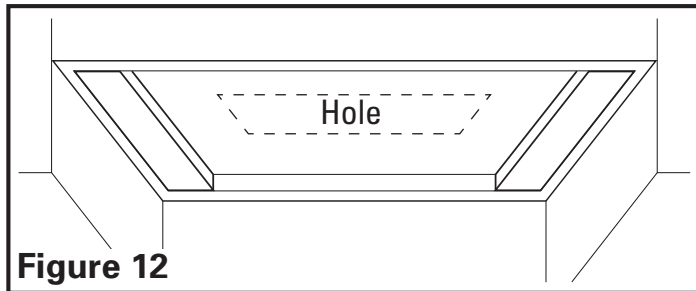
**NOTE:** For models using the B300, B500, or B600 blowers, a minimum of 6" diameter outlet adapter & ducting is required to achieve the proper air flow. The B900 requires a minimum 8" diameter adapter and ducting, while the B1125 requires a minimum 10" diameter adapter and ducting.

**NOTE:** When the duct termination is similar to that shown in Figure 6 (passing through the wall to which the hood is mounted) the installation requires special consideration. Depending upon where the wall studs are located, it may be necessary to cut one or more of the wall studs and install a header and footer to transfer the load to the adjacent studs. Additional studs may need to be framed into the opening to attach dry wall or secure the hood. If this is your situation Air King recommends that you hire a professional and comply with all applicable codes.

- Install the proper sized outlet adapter (available separately) to the hood by matching up the four holes on the flange of the adapter to the four corresponding holes on the hood and secure in place with the provided screws. Ensure an airtight seal around the adapter by securing all connections with ducting tape (Figure 8).

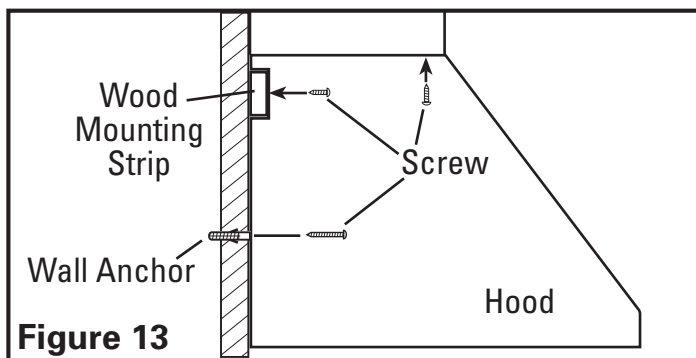


- The thickness of the strips should be the same as the recess of the cabinet and they should be approximately 2" wide.
- Install the strips using appropriate length wood screws (not included). Make sure the strips line up to the holes in the top of the canopy.
- Mark the location where the outlet adapter (available separately) will be located on the cabinets and cut a hole approximately 1" larger on all sides than the outlet adapter (**Figure 12**).



**NOTE:** If the recommended, optional BS Series backsplash is being installed it must be installed before the hood canopy because the hood canopy will cover the backsplash mounting screws. Refer to the instructions included with the backsplash for complete installation instructions.

- Rest the cavity in the back side of the hood on the wood strip and secure hood to wood strip with the included 3/4" screws through the holes in the back of the hood that line up with the wood strip (use 6 screws for 30" and 36" widths and 8 screws for larger widths) Secure the bottom of the hood by installing the screws provided into the wall anchors (**Figure 13**).

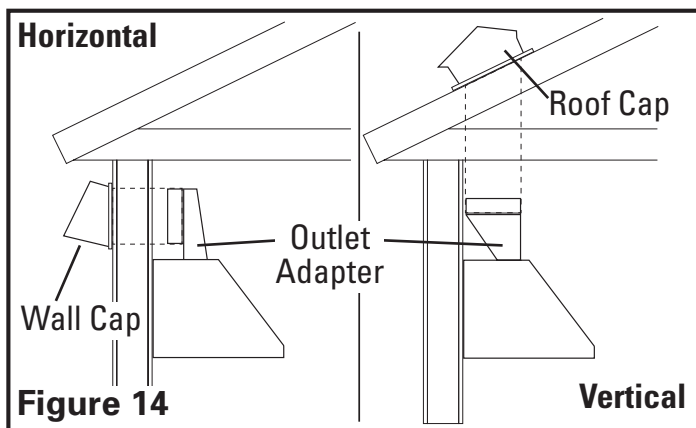


- From inside the hood canopy, secure hood to the underside of the cabinet by using four wood screws (not included) through the keyhole slots of the hood (**Figure 13**).

**CAUTION:** ALL DUCTING MUST COMPLY WITH LOCAL AND NATIONAL BUILDING CODES.

**WARNING:** TO REDUCE THE RISK OF FIRE, USE ONLY METAL DUCTWORK.

- Determine the type of ducting you will require (**Figure 14**).

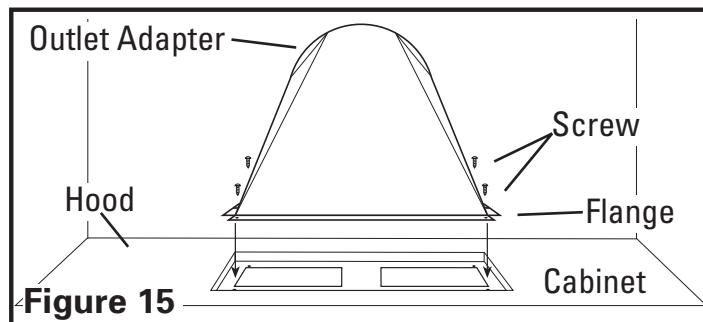


**NOTE:** For models using the B300, B500, or B600 blowers, a minimum of 6" diameter outlet adapter & ducting is required to achieve the proper air flow. The B900 requires a minimum 8" diameter adapter and ducting, while the B1125 requires a minimum 10" diameter adapter and ducting.

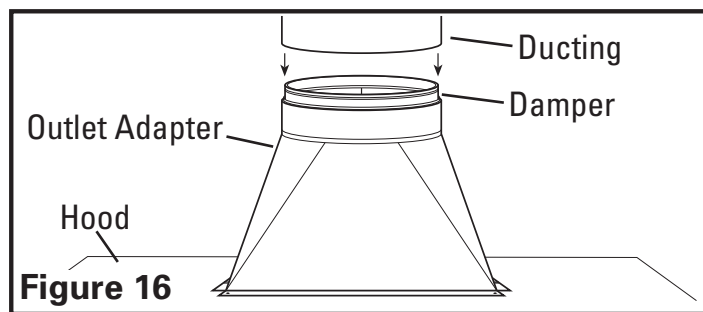
**NOTE:** When determining the outlet adapter to be used, make sure to consider the clearance within the cabinet space. Typically a horizontal Outlet Adapter will need to be used if you will be venting out to a wall cap.

**NOTE:** When the duct termination is similar to that shown in **Figure 14** (passing through the wall to which the hood is mounted) the installation requires special consideration. Depending upon where the wall studs are located, it may be necessary to cut one or more of the wall studs and install a header and footer to transfer the load to the adjacent studs. Additional studs may need to be framed into the opening to attach dry wall or secure the hood. If this is your situation Air King recommends that you hire a professional and comply with all applicable codes.

- Install the proper sized outlet adapter (available separately) to the hood by sliding it down into the hole cut earlier and matching up the four holes on the flange of the adapter to the four corresponding holes on the hood and secure in place with the provided screws. Ensure an airtight seal around the adapter by securing all connections with ducting tape (**Figure 15**).



- Connect the ducting to the outlet adapter and damper. Secure in place using tape to seal all joints (**Figure 16**).

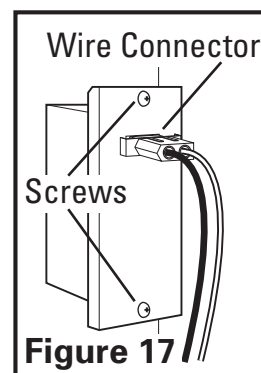


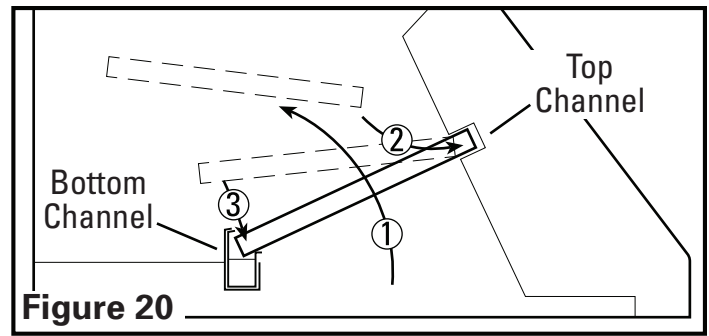
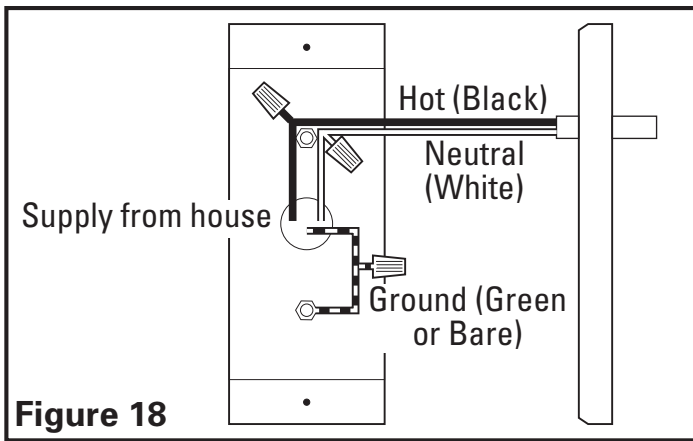
## SECTION 7

### Wiring

**CAUTION:** ALL ELECTRICAL CONNECTIONS MUST BE MADE IN ACCORDANCE WITH LOCAL CODES, ORDINANCES, OR NATIONAL ELECTRICAL CODE. IF YOU ARE UNFAMILIAR WITH METHODS OF INSTALLING ELECTRICAL WIRING, SECURE THE SERVICES OF A QUALIFIED ELECTRICIAN.

- Remove the two wire compartment cover screws to gain access into the wire compartment (**Figure 17**). Connect the white wire from the range hood to the white wire from the supply, and the black wire from the range hood to the black wire of the supply. Connect the ground wire from the home (green or bare) to the ground wire (green) from the hood. Use approved methods for all connections (**Figure 18**).
- Replace the wire compartment cover and tighten screws. Make sure all wiring is securely contained within the wire compartment. If the quick connect wire connector was removed from the receptacle, replace. The connector will only fit one way into the receptacle (**Figure 17**).





## SECTION 8

### Installing the Blower

1. Refer to the instructions included with the blower for installation.

## SECTION 9

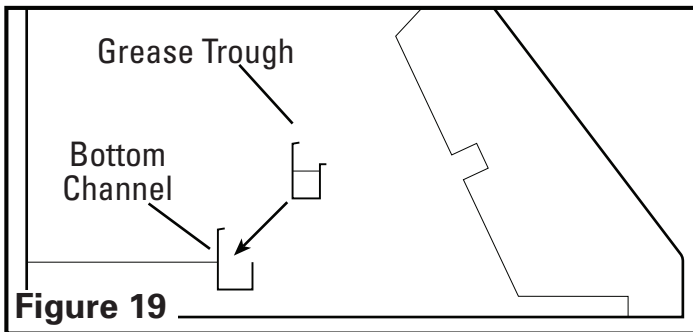
### Installing the Optional Soffits

1. Refer to the instructions included with the specific soffit(s) you have chosen for installation.

## SECTION 10

### Finishing the Installation

1. Install the proper lighting for your specific unit:
  - Halogen Lamps:** Use PAR16 medium base 45W maximum lamps (available separately). Install by inserting lamp into socket and turning clockwise until lamp is firmly seated. DO NOT over tighten.
  - Heat Lamps:** Use type R40, medium base IR 250W max lamps only (available separately). Install by inserting lamp into socket and turning clockwise until lamp is firmly seated. DO NOT over tighten.
2. If the included removable grease trough is not already installed within the hood, insert into the rear inside channel of the hood. Make sure the taller side of the trough is facing towards the back of the hood (**Figure 19**).



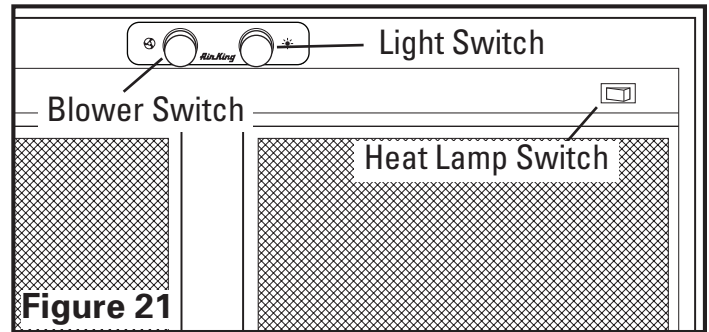
3. Install the baffle filters along with any spacer bars that are required by inserting the top of the filter into the top channel of the hood, then slide the bottom of the filter into the bottom channel. The filters have a top and a bottom. The bottom of the filter will have small drain holes. These holes must be facing down towards the grease trough to be effective. In models with spacers, it is easiest to install the spacer(s) first and the grease filters last (**Figure 20**).

## SECTION 11

### Operation

#### Controls

Your Range Hood is equipped with two rotary switches with one controlling the lighting and the other controlling the exhaust fan blower. The light switch has three positions, High, Low, and Off. The fan switch has four positions, Off, High, Medium, and Low (**Figure 21**).



**NOTE:** On installation where a One (1) speed blower is utilized, all blower control speeds operate at the same speed. On installation where a Two (2) speed blower is utilized, the Medium and High speeds operate at the same speed.

**Heat Lamp Controls:** For models equipped with heat lamps, two On/Off rocker switch are located on the front underside of the hood for independent control of the heat lamps (**Figure 21**).

## SECTION 12

### Maintenance

**CAUTION: MAKE SURE POWER IS SWITCHED OFF AT SERVICE PANEL BEFORE SERVICING THE UNIT.**

#### Grease Filters

Included with your range hood are grease filters along with a grease trough that should be washed at least once a month. The grease filters are dishwasher safe and should be washed in a mild soap or detergent. Reverse the instruction in **SECTION 10 Finishing the Installation**, to remove the grease filters and trough. If the grease filters become damaged, replace with Air King Model PHGB1, PHGB2, or PHGB3 Grease Baffles.

**CAUTION: ALLOW BULB TO COOL BEFORE REPLACING.**

#### Changing the Lamps

Unscrew the lamp by turning in a counter-clockwise direction and remove from the socket. Replace with a PAR16 medium base 45W maximum Halogen lamp. Installation is the reverse of removal.

#### Cleaning

**CAUTION: DO NOT USE GASOLINE, BENZINE, THINNER, HARSH CLEANSERS, ETC., AS THEY MAY DAMAGE THE RANGE HOOD.**

1. Clean your range hood with a mild detergent, such as dishwashing liquid, and dry with a soft cloth. **NEVER USE ANY ABRASIVE PADS OR SCOURING POWDERS.** Completely dry before restoring power. **NEVER IMMERSE ELECTRICAL PARTS IN WATER.**
2. The blower assembly can be vacuumed when build up (dirt, lint, etc.) accumulates over time. The blower is permanently lubricated and does not require oiling.

# Troubleshooting Guide

Trouble	Probable Cause	Suggested Remedy
1. Hood does not operate when the switch is on.	1a. A fuse may be blown or a circuit tripped. 1b. Wiring is not connected properly.	1a. Replace fuse or reset circuit breaker. 1b. Turn off power to unit. Check that all wires are connected.
2. Hood is operating, but air moves slower than normal.	2. Obstruction in the exhaust ducting.	2. Check for any obstructions in the ducting including filter.
3. Hood is making a rattling noise.	3a. Filters are loose. 3b. Duct connection is loose. 3c. Damper is stuck.	3a. Turn off power to unit. Check that all filter screws are fully tightened. 3b. Turn off power to unit. Check that duct connection is tight. 3c. Turn off power to unit. Check that the damper is opening freely.

## LIMITED WARRANTY

**WHAT THIS WARRANTY COVERS:** This product is warranted against defects in workmanship and/or materials.

**HOW LONG THIS WARRANTY LASTS:** This warranty extends only to the original purchaser of the product and lasts for one (1) year from the date of original purchase or until the original purchaser of the product sells or transfers the product, whichever first occurs.

**WHAT AIR KING WILL DO:** During the warranty period, Air King will, at its sole option, repair or replace any part or parts that prove to be defective or replace the whole product with the same or comparable model.

**WHAT THIS WARRANTY DOES NOT COVER:** This warranty does not apply if the product was damaged or failed because of accident, improper handling or operation, shipping damage, abuse, misuse, unauthorized repairs made or attempted. This warranty does not cover shipping costs for the return of products to Air King for repair or replacement. Air King will pay return shipping charges from Air King following warranty repairs or replacement.

**ANY AND ALL WARRANTIES, EXPRESSED OR IMPLIED (INCLUDING, WITHOUT LIMITATION, ANY IMPLIED WARRANTY OF MERCHANTABILITY), LAST ONE YEAR FROM THE DATE OF ORIGINAL PURCHASE OR UNTIL THE ORIGINAL PURCHASER OF THE PRODUCT SELLS OR TRANSFERS THE PRODUCT, WHICHEVER FIRST OCCURS AND IN NO EVENT SHALL AIR KING'S LIABILITY UNDER ANY EXPRESS OR IMPLIED WARRANTY INCLUDE (I) INCIDENTAL OR CONSEQUENTIAL DAMAGES FROM ANY CAUSE WHATSOEVER, OR (II) REPLACEMENT OR REPAIR OF ANY HOUSE FUSES, CIRCUIT BREAKERS OR RECEPTACLES. NOTWITHSTANDING ANYTHING TO THE CONTRARY, IN NO EVENT SHALL AIR KING'S LIABILITY UNDER ANY EXPRESS OR IMPLIED WARRANTY EXCEED THE PURCHASE PRICE OF THE PRODUCT AND ANY SUCH LIABILITY SHALL TERMINATE UPON THE EXPIRATION OF THE WARRANTY PERIOD.**

Some states and provinces do not allow limitations on how long an implied warranty lasts, or the exclusion or limitation of incidental or consequential damages, so these exclusions or limitations may not apply to you. This warranty gives you specific legal rights. You may also have other rights which vary from state to state and province to province. Proof of purchase is required before a warranty claim will be accepted.

## CUSTOMER SERVICE:

**Toll-Free (800) 465-7300**

Our Customer Service team is available to assist you with product questions, service center locations, and replacement parts. They can be reached Monday through Friday, 8am-4pm Eastern. Please have your model number available, as well as the type and style (located on the label inside of your product).

Please do not return product to place of purchase.

[www.airkinglimited.com](http://www.airkinglimited.com)

**PARTS FOR DISCONTINUED, OBSOLETE AND CERTAIN OTHER PRODUCTS MAY NOT BE AVAILABLE. DUE TO SAFETY REASONS, MANY ELECTRONIC COMPONENTS AND MOST HEATER COMPONENTS ARE NOT AVAILABLE TO CONSUMERS FOR INSTALLATION OR REPLACEMENT.**

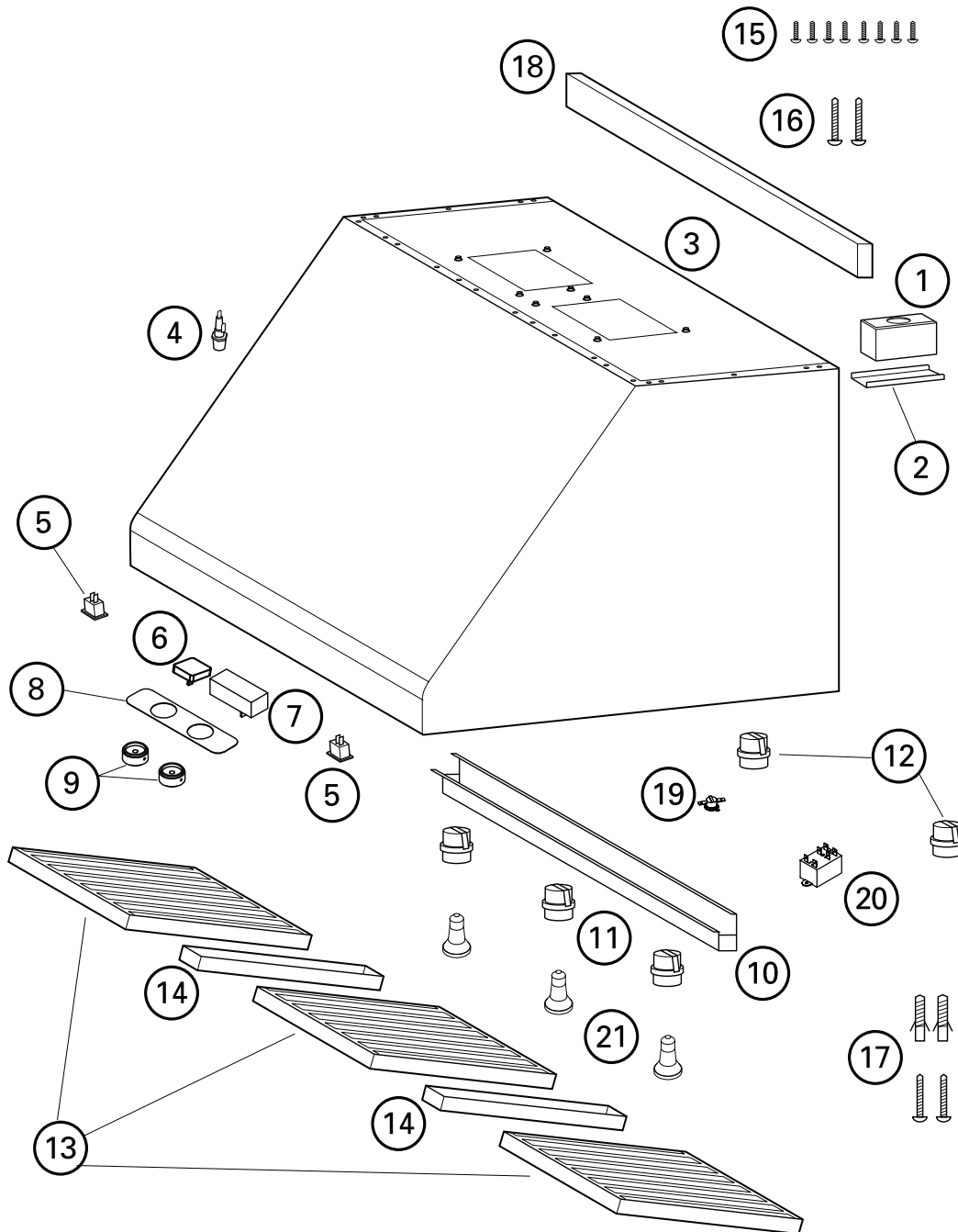
Installer: \_\_\_\_\_

Installation Date: \_\_\_\_\_

Place of Purchase: \_\_\_\_\_

Model Number: \_\_\_\_\_

# REPLACEMENT PARTS DIAGRAM



#	Qty.	Description	Replacement Part #
1	1	Wire Box	5S1136064
2	1	Wire Box Cover	5S1136065
3	1	Canopy	5S1136067
4	1	Fuse	5S1136068
5	2*	Heat Lamp Switch	5S1136069
6	1	Rotary Fan Switch	5S1136070
7	1	Rotary Light Switch	5S1141013
8	1	Switch Plate	5S1142010
9	2	Knob	5S1142011
10	1	Grease Trough - 30"	5S1136074
		Grease Trough - 36"	5S1136089
		Grease Trough - 42"	5S1136090
		Grease Trough - 48"	5S1136091
11	**	Halogen Lamp Holder	5S1136075

#	Qty.	Description	Replacement Part #
12	1*	Heat Lamp Holder	5S1136076
13	**	Baffle Filter - PHGB1	5S1136077
		Baffle Filter - PHGB2	5S1136078
		Baffle Filter - PHGB3	5S1136079
14	**	Filter Spacer - 30" Series	5S1136080
		Filter Spacer - 48" Series	5S1136081
15	**	3/4" Screw	5S1136086
16	**	2" Wood Screw	5S1136087
17	**	#8 Screw w/Wall Anchor	5S1136088
18	1	Wood Mounting Strip	5S1136084
19	1	Thermostat	5S1141012
20	1	Relay	5S1239008
21	**	45w PAR16 Bulb	5S1136099

\* Models with Heat Lamps Only

\*\* Quantity will vary depending on specific model

# NOTES

# INSTRUCTIONS IMPORTANTES – MODE D'EMPLOI

Modèles: P1030M, P1036M, P1830M,  
P1836M, P1848M



Série de hottes de cuisinières  
extérieures professionnelles

## LIRE ET CONSERVER CES INSTRUCTIONS

LIRE SOIGNEUSEMENT AVANT DE TENTER D'ASSEMBLER, INSTALLER, OPÉRER OU DE RÉPARER LE PRODUIT DÉCRIT. PROTÉGEZ VOUS-MÊME ET LES AUTRES EN OBSERVANT TOUTE L'INFORMATION DE SÉCURITÉ. FAILLIR À SE CONFORMER AUX INSTRUCTIONS PEUT RÉSULTER EN BLESSURE PERSONNELLE GRAVE ET/OU EN DOMMAGE À LA PROPRIÉTÉ.

**CONSERVER CES INSTRUCTIONS POUR RÉFÉRENCES FUTURES.**

## INSTRUCTIONS GÉNÉRALES DE SÉCURITÉ

Lors de l'utilisation d'appareils électriques, des précautions de base doivent toujours être suivies pour réduire les risques d'incendie, de choc électrique et de blessures corporelles, incluant ce qui suit:

**AVERTISSEMENT: POUR RÉDUIRE LES RISQUES D'INCENDIE, DE CHOC ÉLECTRIQUE OU DE BLESSURES PERSONNELLES OBSERVER CE QUI SUIT:**

- Utiliser cette unité seulement de la manière pour laquelle le fabricant l'a conçu. Si vous aviez des questions, veuillez contacter le fabricant.
- Avant d'effectuer un service ou de nettoyer l'unité, couper l'alimentation électrique dans le panneau de distribution et verrouiller le dispositif de déconnexion afin d'éviter que l'alimentation ne revienne accidentellement. Lorsque le dispositif ne peut être verrouillé, fixer solidement un avis d'avertissement, tel qu'une étiquette, au panneau de distribution.

**AVERTISSEMENT: POUR RÉDUIRE LES RISQUES D'INCENDIE, DE CHOC ÉLECTRIQUE OU DE BLESSURES PERSONNELLES OBSERVER CE QUI SUIT:**

- Le travail d'installation et le câblage électrique doivent être effectués par une(des) personne(s) qualifiée(s) en conformité avec tous les codes et normes applicables, incluant la construction relative aux incendies.
- De l'air en quantité suffisante est requis pour la bonne combustion et l'évacuation de gaz par le conduit (cheminée) provenant d'équipement de brûlage au combustible pour prévenir un refoulement. Suivre les directives du fabricant de l'équipement de chauffage et les normes de sécurité telles que celles publiées par la National Fire Protection Association (NFPA) et de la American Society for Heating, Refrigeration, and Air Conditioning Engineers (ASHRAE), et de celles des autorités locales du code.
- When cutting or drilling into wall or ceiling, do not damage electrical wiring and other hidden utilities.

**AVERTISSEMENT: POUR RÉDUIRE LES RISQUES D'INCENDIE ET POUR ÉVACUER L'AIR ADÉQUATEMENT, ASSUREZ-VOUS D'ÉVACUER L'AIR VERS L'EXTÉRIEUR – NE PAS ÉVACUER L'AIR DANS DES ESPACES DANS LES MURS, LES PLAFONDS OU LES GRENIERS, LES GALERIES TECHNIQUES OU LES GARAGES.**

- Les ventilateurs avec conduits doivent toujours être évacués vers l'extérieur.
- Cette unité doit être mise à la terre.
- Pour éviter des dommages aux roulements des moteurs et/ou des hélices bruyantes ou déséquilibrées, empêcher la poussière de cloison sèche, poussière de construction, etc., d'atteindre l'unité de puissance.
- Lire toutes les instructions avant d'installer ou d'utiliser la hotte de cuisine.

**AVERTISSEMENT: POUR RÉDUIRE LES RISQUES D'INCENDIE OU DE CHOC ÉLECTRIQUE, NE PAS UTILISER CE VENTILATEUR AVEC UN RÉGULATEUR DE VITESSE ÉLECTRONIQUE.**

**AVERTISSEMENT: POUR RÉDUIRE LES RISQUES D'INCENDIE DE GRAISSE SUR LE DESSUS DE LA CUISINIÈRE:**

- Ne jamais laisser les unités de surface à des degrés élevés sans surveillance. Les débordements par bouillonnement produisent de la fumée et des débordements graisseux qui peuvent s'enflammer. Chauffer les huiles lentement à des degrés faibles ou modérés.
- Toujours mettre la hotte EN MARCHE lors de cuisson à haute température ou lors de flambage de nourriture (par ex., des Crêpes Suzette, de Cerises Jubilées, steak flambé, etc.)
- Nettoyer les ventilateurs d'évacuation fréquemment. Aucune accumulation de graisse ne devrait être tolérée sur les filtres du ventilateur.
- Utiliser des poêlons de taille appropriée. Toujours utiliser les batteries de cuisine appropriées pour la taille de l'élément de surface.

**AVERTISSEMENT: POUR RÉDUIRE LES RISQUES DE BLESSURES PERSONNELLES DANS L'ÉVENTUALITÉ D'UN FEU DE GRAISSE SUR LA SURFACE DE CUISSON, SUIVRE LES INDICATIONS SUIVANTES:**

- ÉTOUFFER LES FLAMMES avec un couvercle bien ajusté, une tôle à biscuits, ou un cabaret de métal, puis, mettre le gril hors fonction. PRENEZ SOIN D'ÉVITER LES BRÛLURES. Si les flammes ne s'éteignent pas immédiatement, ÉVACUER ET APPELER LE SERVICE DES INCENDIES.
- NE JAMAIS SAISIR UN POÊLON EN FLAMME – vous pourriez être brûlé.
- NE PAS UTILISER DE L'EAU, incluant les linges à vaisselle ou les serviettes mouillées – il en résulterait une violente explosion de vapeur.
- Utiliser un extincteur SEULEMENT SI:
  - Vous savez que vous avez un extincteur de classe ABC, et que vous savez déjà comment l'opérer.
  - Le feu est petit et contenu dans la zone où il a commencé.
  - On appelle le service des incendies.
  - Vous pouvez combattre l'incendie avec une sortie derrière vous.

**AVERTISSEMENT: POUR RÉDUIRE LES RISQUES D'INCENDIE, UTILISER UNIQUEMENT DES CONDUITS EN MÉTAL.**

## CONSERVER CES INSTRUCTIONS

# INSTRUCTIONS D'INSTALLATION

**AVERTISSEMENT : VOUS ASSURER QUE L'ALIMENTATION EST COUPÉE AU PANNEAU DE SERVICE AVANT DE COMMENCER L'INSTALLATION.**

**REMARQUE :** Les hottes de cuisinières extérieures professionnelles sont approuvées pour l'usage dans les cuisines extérieures couvertes seulement. Vous devez utiliser les adaptateurs de conduits, conduits, cheminées et clapets appropriés selon les instructions suivantes. N'installez pas la hotte dans un endroit découvert directement exposé aux éléments.

## SECTION 1

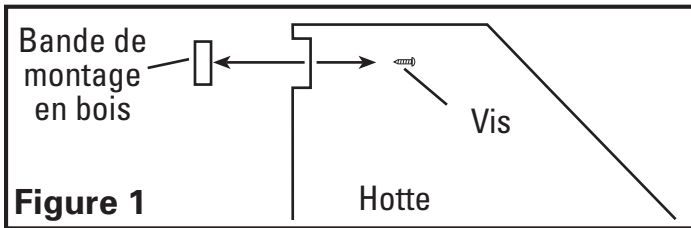
### Préparation de la hotte de cuisinière

- Sortir la hotte de son emballage et confirmer que toutes les pièces sont présentes. En plus de la hotte, vous devriez avoir :

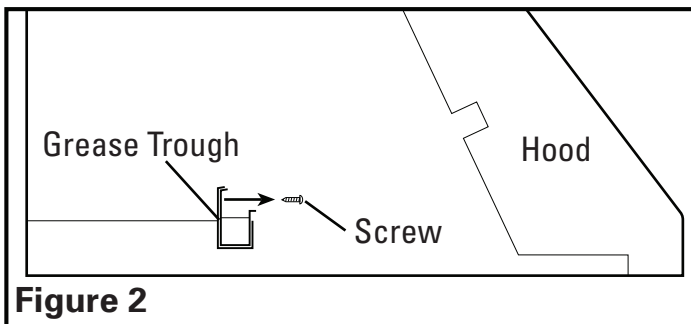
- 1 - Contenu de l'emballage :
- 3 - Vis à bois de 5,1 cm
- 8 - Vis à bois de 1,9 cm (modèles de 91,44 cm: 12 / modèles de 106,68, 121,92 cm: 16)
- 4 - Ancrages muraux (modèles de 91,44 cm: 6 / modèles de 106,68, 121,92 cm: 8)
- Modèles de 76,2 cm : 2 - gros déflecteurs PHGB3, un espaceur
- Modèles de 91,44 cm : 2 - gros déflecteurs PHGB3, un petit déflecteur PHGB1
- Modèles de 106,68 cm : 2 - gros déflecteurs PHGB3, un déflecteur moyen PHGB2
- Modèles de 121,92 cm : 3 - gros déflecteurs PHGB3, deux espaceurs
- 1 - Dalot à graisse
- 2 - Lampes halogènes (quelques modèles incluent 3)
- 1 - Bande de montage en bois
- 1 - Feuillet d'instruction/de sécurité

**REMARQUE :** Certaines hottes peuvent être expédiées avec protecteur en plastique collé à la hotte. Il est recommandé de le laisser en place durant l'installation pour protéger la hotte contre les égratignures. Enlever une fois l'installation complétée.

- Enlevez la bande de montage en bois fixée au dos de la hotte et placez-la dans un endroit sécuritaire. Vous aurez besoin de cette bande plus tard (Figure 1).



- Enlevez les deux vis fixant le dalot à graisse en place. Ces vis furent installées pour la protection durant le transport (Figure 2).



**AVERTISSEMENT : VOUS ASSURER QUE L'ALIMENTATION EST COUPÉE AU PANNEAU DE SERVICE AVANT DE COMMENCER L'INSTALLATION**

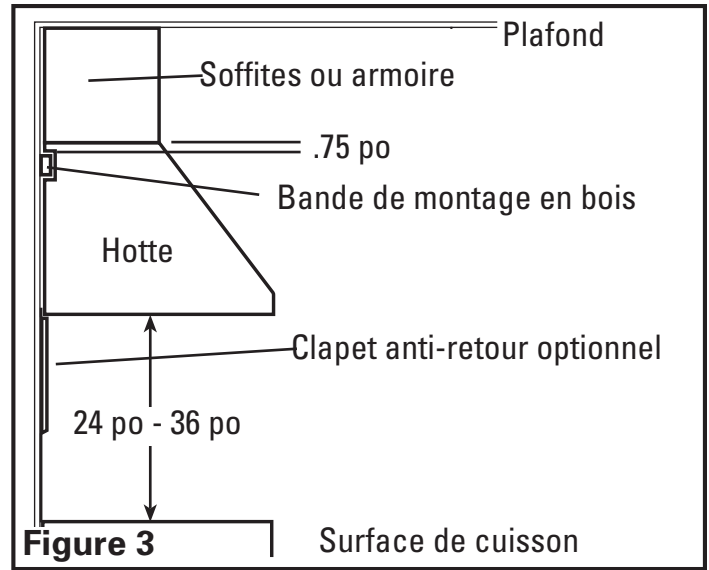
**AVERTISSEMENT : LORS DE DECOUPE OU DE PERCAGE DANS UN MUR NE PAS ENDOMMAGER DE FILAGE ELECTRIQUE OU AUTRES UTILITES DISSIMULEES.**

## SECTION 2

### Mesurage de l'installation de la hotte

**REMARQUE :** Avant d'installer des pièces ou de marquer des emplacements, assurez-vous d'avoir décidé comment seront installés les conduits. Vous pourriez avoir besoin de modifier la structure tel que décrit à la **Section 5 Installation au mur de couvert de la hotte** ou la **Section 6 Installation sous l'armoire de couvert de la hotte**.

- Les mesures pour l'installation seront personnalisées à votre emplacement spécifique et dépendront de la hauteur exacte du plafond, de la distance de la surface de cuisson, de la hauteur de l'armoire ou du soffite, ainsi que d'autres facteurs et doivent être ajustées en conséquence. La hotte doit être montée à un minimum de 24 po et à un maximum de 36 po de la surface de cuisson (Figure 3).

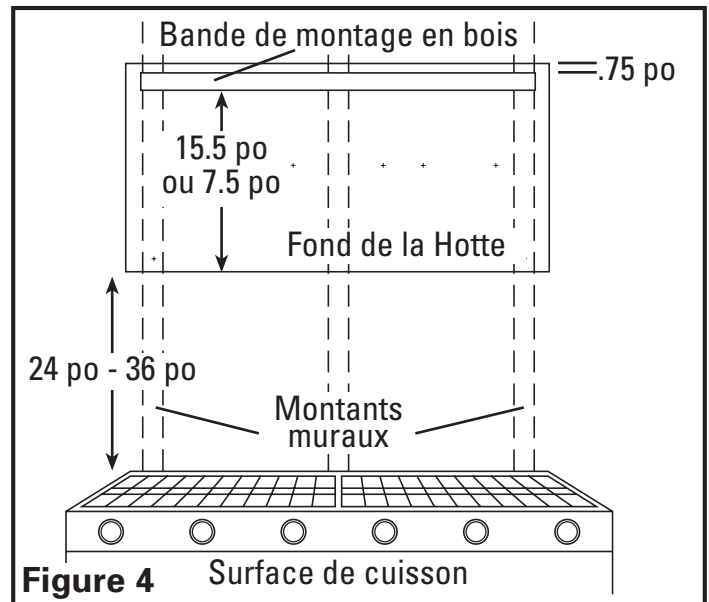


**REMARQUE :** Lorsque vous déterminez la hauteur entre le couvert et la surface de cuisson, assurez-vous de prendre en considération les articles tels que dossier et avec tablettes et autres accessoires qui pourraient avoir besoin d'un plus grand dégagement sous le couvert.

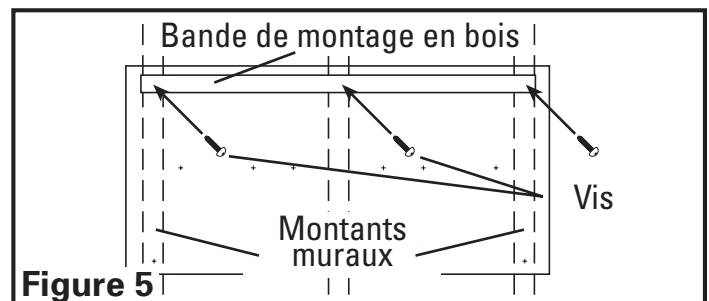
## SECTION 3

### Mesurage de l'installation

- Déterminez où le dessus de la hotte sera situé dans votre installation (Figure 4).



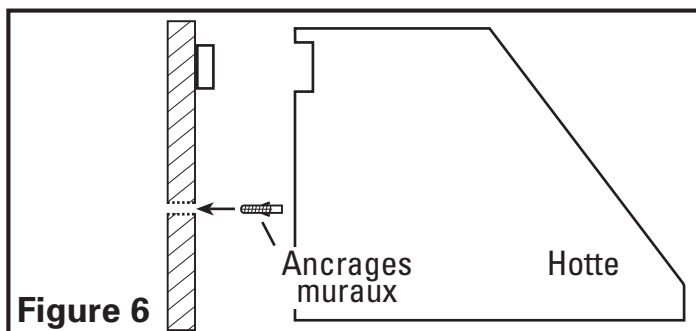
- Attachez en place la bande en bois qui a été enlevée dans l'étape 2 de la section 1 et confirmez qu'elle est à niveau. Fixez en place en utilisant les vis de support de 2 po fournis; et assurez-vous que les vis s'enfoncent bien dans les poteaux de cloison murale (Figure 5).



**AVERTISSEMENT** : EN RAISON DE LA HAUTEUR DE LA HOTTE, ASSUREZ-VOUS QUE LA BANDE DE BOIS EST FIXÉE À TOUS LES MONTANTS MURAUX DISPONIBLES (UN MINIMUM DE 2 MONTANTS POUR LES HOTTES DE 30 PO, ET PLUS ALORS QUE LA LARGEUR AUGMENTE) ET NON PAS SEULEMENT DANS LA CLOISON SÈCHE.

**AVERTISSEMENT** : SUPPORTER LA HOTTE JUSQU'À CE QU'ELLE SOIT COMPLÈTEMENT INSTALLÉE SUR LA BANDE DE MONTAGE EN BOIS.

3. Reposez la cavité dans l'arrière de la hotte sur la bande en bois et marquez des endroits de perçage sur le mur pour les ancrages muraux sur l'arrière du fond de la hotte puis enlevez le capot et installez les ancrages muraux (Figure 6).



## SECTION 4

### Installation du clapet anti-retour

1. Si un clapet anti-retour optionnel de Série BS sera utilisé, celui-ci doit être installé avant le couvert de la hotte parce que le couvert de la hotte couvrira les vis de montage du clapet anti-retour. Référez-vous aux instructions comprises avec le clapet anti-retour pour l'installation.

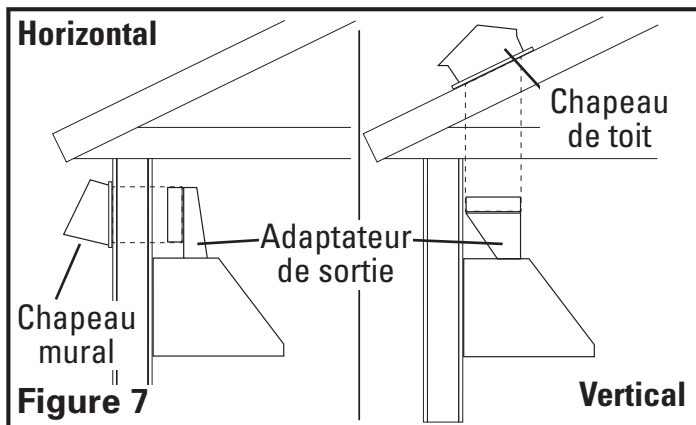
## SECTION 5

### Installation au mur de couvert de la hotte

**AVERTISSEMENT** : TOUS LES CONDUITS DOIVENT ÊTRE CONFORMES AUX CODES DU BÂTIMENT LOCAUX ET NATIONAUX.

**AVERTISSEMENT** : POUR RÉDUIRE LES RISQUES D'INCENDIE, UTILISER UNIQUEMENT DES CONDUITS EN MÉTAL.

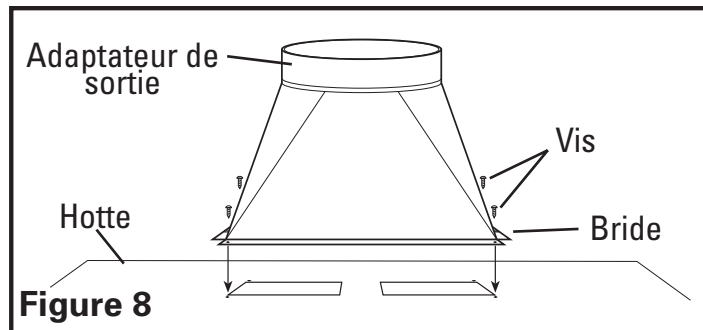
1. Déterminer le type de conduits dont vous aurez besoin (Figure 7).



**REMARQUE** : Pour des modèles utilisant les ventilateurs B300, B500, ou B600, un conduit et un adaptateur de sortie de 6 po de diamètre au minimum sont exigés pour obtenir la circulation d'air appropriée. Le B900 exige un conduit et un adaptateur de sortie de 8 po de diamètre au minimum, alors que le B1125 exige un conduit et un adaptateur de sortie de 6 po de diamètre au minimum.

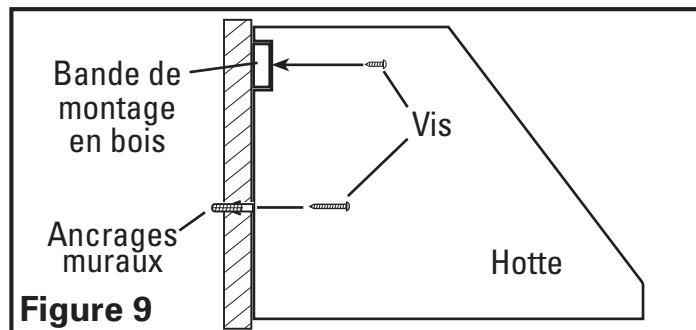
**REMARQUE** : Lorsque la terminaison du conduit est similaire à celle illustrée à la Figure 6 (passant au travers du mur sur lequel la hotte est installée) l'installation requiert une considération spéciale. Dépendant de où les montants muraux sont situés, il peut être nécessaire de couper un montant mural ou plus et d'installer une chevêtre et une assise pour transférer la charge aux montants adjacents. Des montants additionnels pourraient devoir être bâtis dans l'ouverture pour fixer la cloison sèche et pour fixer la hotte. Si vous rencontrez cette situation, Air King recommande que vous embauchiez un professionnel et que vous vous conformiez avec tous les codes du bâtiment applicables.

2. Installer l'adaptateur mural de la bonne taille requise (disponible séparément) à la hotte en appariant les quatre trous sur la bride de l'adaptateur aux quatre trous correspondants sur la hotte et fixer en place avec les vis comprises. Assurez-vous que le joint est étanche autour de l'adaptateur en sécurisant tous les raccords avec du ruban de gaine (Figure 8).

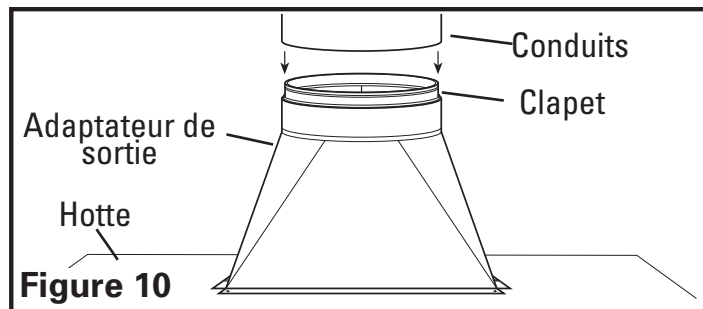


**REMARQUE** : Si le dossier facultatif recommandé de la série BS est installé, il doit être installé avant la verrière de la hotte parce que la verrière de la hotte couvrira les vis de support du dossier. Référez-vous aux instructions incluses avec le dossier pour des instructions d'installation complètes.

3. Faire reposer la cavité sur le côté arrière de la hotte sur la bande de bois et fixer à la bande de bois avec les vis de .75 po comprises au travers des trous dans l'arrière de la hotte qui s'alignent avec la bande de bois (utiliser les 6 vis pour les largeurs de 30 po et de 36 po cm et 8 vis pour les largeurs supérieures). Fixer le bas de la hotte en installant les vis fournies avec les ancrages muraux (Figure 9).



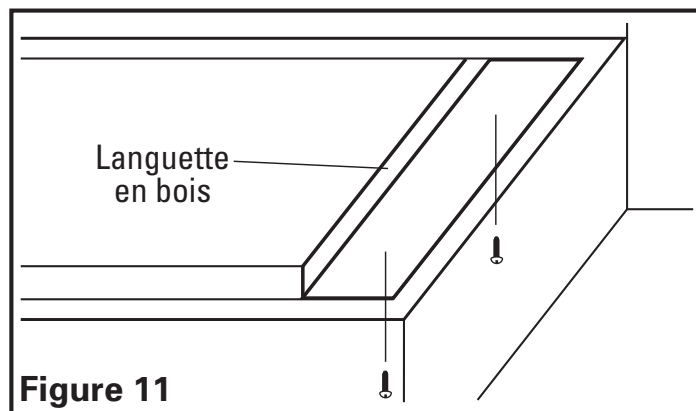
4. Raccordez les conduits à l'adaptateur de sortie et du clapet. Fixez en place en utilisant du ruban de gaine pour sceller tous les joints (Figure 10).



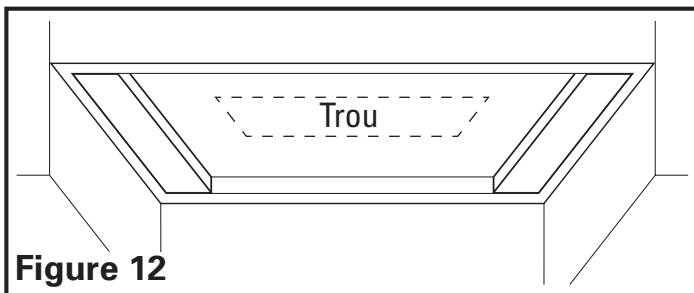
## SECTION 6

### Installation sous l'armoire de couvert de la hotte

1. Si le couvert sera installé sous des armoires qui ont un fond en retrait, il sera nécessaire d'installer des bandes de montage en bois (non-comprises) pour que le couvert s'installe adéquatement (Figure 11).

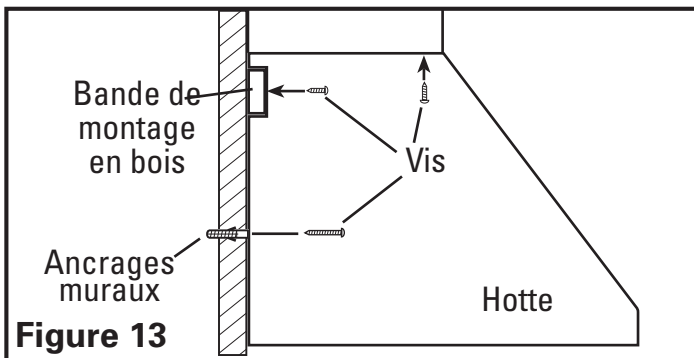


- L'épaisseur des bandes doit être la même que le retrait des armoires et elles doivent être d'une largeur d'environ 2 po.
- Installez les bandes en utilisant des vis à bois de longueur appropriée (non-comprises). Assurez-vous que les bandes s'alignent avec les trous dans le dessus du couvert.
- Marquez l'emplacement où l'adaptateur de sortie (disponible séparément) sera situé sur les armoires et coupez un trou de diamètre d'environ 1 po plus grand sur tous les côtés que l'adaptateur de sortie (Figure 12).



**REMARQUE :** Si le dossier facultatif recommandé de la série BS est installé, il doit être installé avant la verrière de la hotte parce que la verrière de la hotte couvrira les vis de support du dossier. Référez-vous aux instructions incluses avec le dossier pour des instructions d'installation complètes.

- Faire reposer la cavité sur le côté arrière de la hotte sur la bande de bois et fixer à la bande de bois avec les vis de .75 po comprises au travers des trous dans l'arrière de la hotte qui s'alignent avec la bande de bois (utiliser les 6 vis pour les largeurs de 30 po et de 36 po cm et 8 vis pour les largeurs supérieures). Fixer le bas de la hotte en installant les vis fournies avec les ancrages muraux (Figure 13).

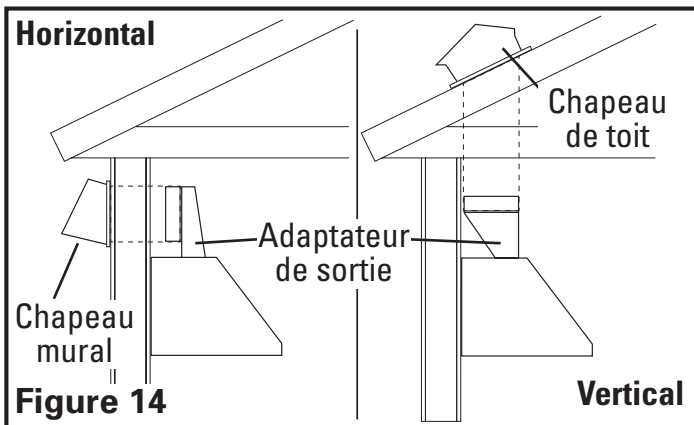


- De l'intérieur du couvert de la hotte, fixez la hotte sur le dessous de l'armoire en utilisant quatre vis à bois (non-comprises) dans les trous en poire de la hotte (Figure 13).

**AVERTISSEMENT :** TOUS LES CONDUITS DOIVENT ÊTRE CONFORMES AUX CODES DU BÂTIMENT LOCAUX ET NATIONAUX.

**AVERTISSEMENT :** POUR RÉDUIRE LES RISQUES D'INCENDIE, UTILISER UNIQUEMENT DES CONDUITS EN MÉTAL.

- Déterminer le type de conduits dont vous aurez besoin (Figure 14).

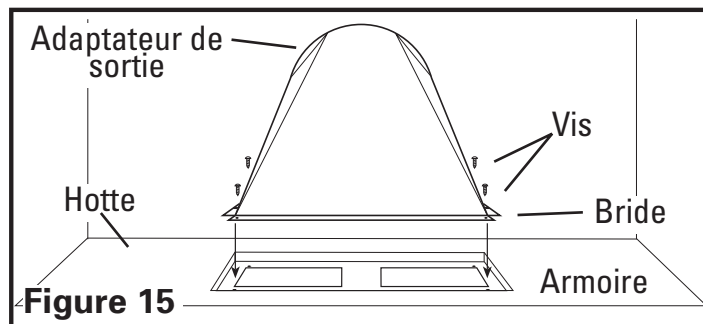


**REMARQUE :** Pour des modèles utilisant les ventilateurs B300, B500, ou B600, un conduit et un adaptateur de sortie de 6 po de diamètre au minimum sont exigés pour obtenir la circulation d'air appropriée. Le B900 exige un conduit et un adaptateur de sortie de 8 po de diamètre au minimum, alors que le B1125 exige un conduit et un adaptateur de sortie de 6 po de diamètre au minimum.

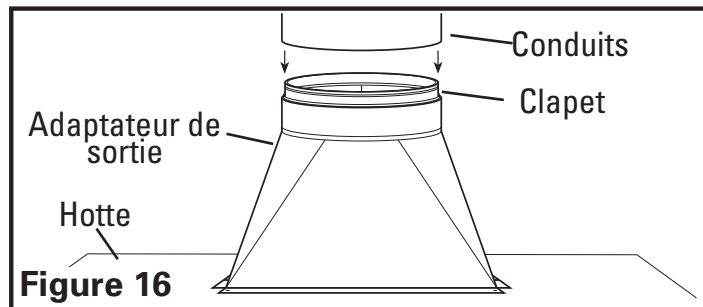
**REMARQUE :** Lors de la détermination de l'adaptateur de sortie à utiliser, assurez-vous de considérer le dégagement de l'espace de l'armoire. Typiquement, un adaptateur de sortie horizontale devra être utilisé si vous évacuez l'air par le biais d'une trappe murale.

**REMARQUE :** Lorsque la terminaison du conduit est similaire à celle illustrée à la Figure 14 (passant au travers du mur sur lequel la hotte est installée) l'installation requiert une considération spéciale. Dépendant de où les montants muraux sont situés, il peut être nécessaire de couper un montant mural ou plus et d'installer une chevêtre et une assise pour transférer la charge aux montants adjacents. Des montants additionnels pourraient devoir être bâtis dans l'ouverture pour fixer la cloison sèche et pour fixer la hotte. Si vous rencontrez cette situation, Air King recommande que vous embauchiez un professionnel et que vous vous conformiez avec tous les codes du bâtiment applicables.

- Installez l'adaptateur mural de la bonne taille requise (disponible séparément) à la hotte en le glissant dans les quatre trous percés précédemment sur la bride de l'adaptateur appariés aux quatre trous correspondants sur la hotte et fixez en place avec les vis comprises. Assurez-vous que le joint est étanche autour de l'adaptateur en sécurisant tous les raccords avec du ruban de gaine (Figure 15).



- Raccordez les conduits à l'adaptateur de sortie et du clapet. Fixez en place en utilisant du ruban de gaine pour sceller tous les joints (Figure 16).

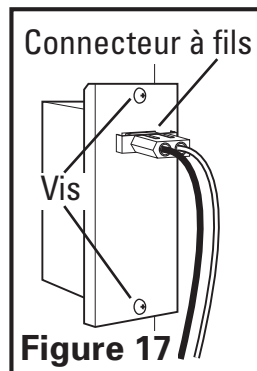


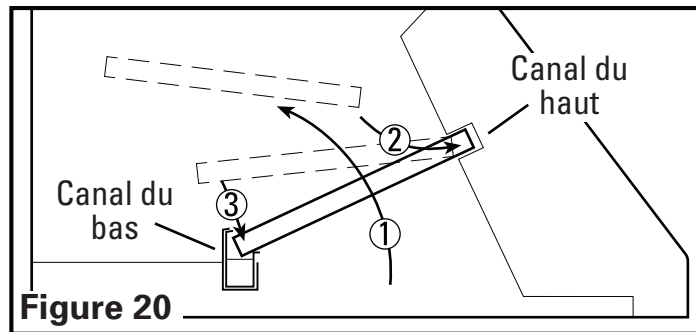
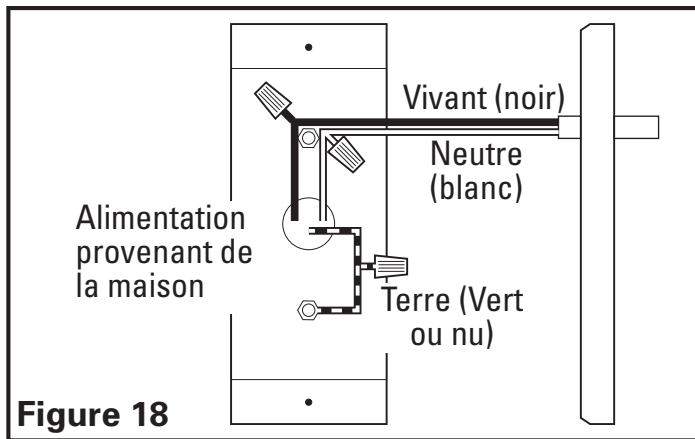
## SECTION 7

### Câblage

**AVERTISSEMENT :** TOUTES LES CONNEXIONS DOIVENT ÊTRE FAITES EN CONFORMITÉ AVEC LES CODES ÉLECTRIQUES LOCAUX OU NATIONAUX. SI VOUS N'ÊTES PAS FAMILIER AVEC LES MÉTHODES D'INSTALLATION DE CÂBLAGE ÉLECTRIQUE, RECOURREZ AUX SERVICES D'UN ÉLECTRICIEN QUALIFIÉ.

- Enlever les deux vis du couvercle du compartiment de câblage pour obtenir l'accès au compartiment de câblage (Figure 17). Raccorder le fil blanc de la hotte au fil blanc de l'alimentation, et le fil noir de la hotte au fil noir de l'alimentation. Raccorder le fil de mise à la terre de la maison (fil nu ou vert) au fil de mise à la terre (vert) de la hotte. Utiliser des méthodes approuvées pour toutes les connexions (Figure 18).
- Replacer le couvercle du compartiment de câblage et serrer les vis. Assurez-vous que tout le câblage est fermement contenu dans le compartiment à câblage. Si le connecteur rapide de fils a été enlevé du réceptacle, le replacer. Le connecteur ne s'ajustera que d'une seule façon dans le réceptacle (Figure 17).





## SECTION 8

### Installation de la soufflante

1. Référez-vous aux instructions incluses avec le ventilateur pour l'installation.

## SECTION 9

### Installation de soffites optionnels

1. Référez-vous aux instructions comprises avec le(s) soffite(s) spécifique(s) que vous avez choisi pour l'installation.

## SECTION 10

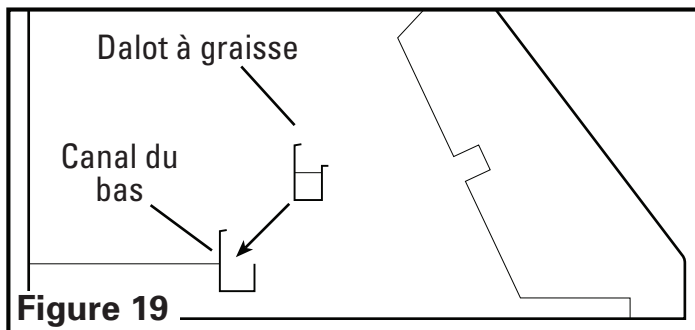
### Terminer l'installation

1. Installer le bon éclairage pour votre unité spécifique :

**Lampes halogènes :** Utiliser des lampes PAR16, de base moyenne, d'un maximum de 45 watts (disponibles séparément). L'installer en insérant la lampe dans le réceptacle et en tournant en sens horaire jusqu'à ce que la lampe soit fermement installée. NE PAS serrer à outrance.

**Lampes chauffantes :** Utilisez les lampes de type R40, base moyenne IR 250W au maximum seulement (disponibles séparément). L'installer en insérant la lampe dans le réceptacle et en tournant en sens horaire jusqu'à ce que la lampe soit fermement installée. NE PAS serrer à outrance.

2. Si le dalot à graisse rétractable compris n'est pas déjà installé dans la hotte, l'insérer dans le canal intérieur arrière de la hotte. Assurez-vous que le côté le plus long du dalot fait face vers l'arrière de la hotte (Figure 19).



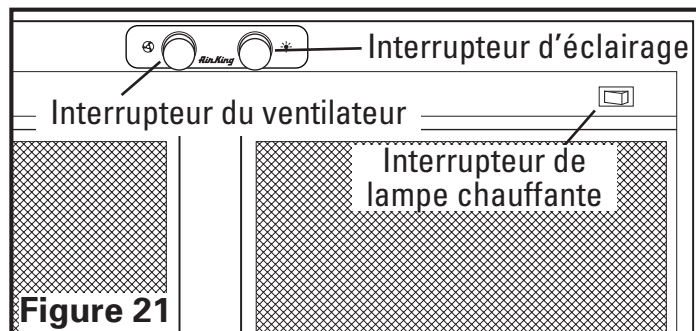
3. Installer les filtres déflecteurs avec les barres d'espacement qui sont requises en insérant le dessus du filtre dans le canal du haut de la hotte, puis glisser le bas du filtre dans le canal du bas. Les filtres ont un sens pour le haut et le bas. Le bas sur le filtre aura des petits trous pour le drainage. Ces trous doivent faire face vers le bas en direction du dalot à graisse pour être efficaces. Dans les modèles avec espaceurs, il est plus facile d'installer le(s) espaceur(s) d'abord et les filtres à graisse en dernier (Figure 20).

## SECTION 11

### Operation

#### Contrôles

Votre hotte de cuisinière est équipée avec deux interrupteurs rotatifs dont l'un contrôle l'éclairage et l'autre contrôle la soufflante du ventilateur d'évacuation. L'interrupteur de l'éclairage a 3 positions, Haute, Basse, et Éteinte. Le commutateur de vitesse du ventilateur a quatre positions, Éteinte, Haute, Moyenne, et Basse (Figure 21).



**REMARQUE :** Sur les installations où un ventilateur à une (1) seule vitesse est utilisé, tous les contrôles du ventilateur opèrent à la même vitesse. Sur les installations où un ventilateur à deux (2) vitesses est utilisé, les vitesses MOYENNE et HAUTE opèrent à la même vitesse.

**Contrôles des lampes chauffantes :** Pour les modèles équipés de lampes chauffantes, deux commutateurs En/Hors sont situés à l'avant du côté inférieur de la hotte pour un contrôle indépendant des lampes de chauffage (Figure 21).

## SECTION 12

### Maintenance

**AVERTISSEMENT :** VOUS ASSURER QUE L'ALIMENTATION EST COUPÉE AU PANNEAU DE SERVICE AVANT DE FAIRE L'ENTRETIEN SUR L'UNITÉ.

#### Filtres à graisse

les filtres à graisse compris avec votre hotte de cuisinière ont un dalot à graisse qui devrait être lavé une fois par mois. Les filtres à graisse vont au lave-vaisselle et doivent être lavés avec un détergent doux. Inversez les instructions à la SECTION 9 Terminer l'installation, pour retirer les filtres à graisse et les dalots à graisse. Si vous endommagez les déflecteurs de graisse, remplacer avec les déflecteurs de graisse modèle PHGB1, PHGB2, ou PHGB3.

**AVERTISSEMENT :** LAISSER REFROIDIR LA LAMPE AVANT DE LA REMPLACER.

#### Remplacement des lampes

Dévissez la lampe en tournant dans le sens contraire des aiguilles d'une montre et enlevez de la douille. Remplacez par une lampe halogène de base moyenne PAR16, de 45W au maximum. L'installation est l'inverse du démontage.

#### Nettoyage

**AVERTISSEMENT :** NE PAS UTILISER D'ESSENCE, DE BENZÈNE, DE DILUAN, DE NETTOYEUR FORT, ETC., PUISQUE CEUX-CI PEUVENT ENDOMMAGER LA HOTTE DE CUISINE.

1. Nettoyez votre unité de puissance avec du détergent doux, tel que du liquide pour la vaisselle, puis séchez-le avec un chiffon doux. **NE JAMAIS UTILISER D'ABRASIF OU DE POUDRE À RÉCURER.** Séchez complètement avant de restaurer l'alimentation. **NE JAMAIS IMMERGER DES PIÈCES ÉLECTRIQUES DANS L'EAU.**
2. L'assemblage du ventilateur peut être passé à l'aspirateur au cas où un amas (saleté, peluche, etc.,) se serait accumulé avec le temps. se serait accumulé avec le temps. Le ventilateur est lubrifié en permanence et ne nécessite pas d'huile.

# Guide de dépannage

Trouble	Cause possible	Solution suggérée
1. La hotte ne fonctionne pas lorsque l'interrupteur est à EN (ON).	1a. Un fusible peut être grillé ou un disjoncteur peut être déclenché. 1b. Le câblage n'est pas raccordé correctement.	1a. Remplacer le fusible ou réinitialiser le disjoncteur. 1b. Couper l'alimentation de l'unité. Vérifier que tous les fils sont raccordés.
2. La hotte fonctionne, mais l'air circule plus lentement que la normale.	2. Obstruction dans les conduits d'évacuation.	2. Vérifier pour quelque obstruction dans les conduits incluant le filtre.
3. La hotte produit un son de crécelle.	3a. Les filtres sont lâches 3b. Le raccord des conduits est lâche.  3c. Le clapet est coincé.	3a. Couper l'alimentation à l'unité. Vérifier que tous les filtres sont bien fixés. 3b. Couper l'alimentation de l'unité. Vérifier que tous les raccords des conduits sont bien serrés. 3c. Coupez le courant à l'unité. Vérifiez que le clapet s'ouvre librement.

## GARANTIE LIMITÉE

**CE QUE COUVRE CETTE GARANTIE :** Ce produit est garanti contre tout vice de fabrication ou de matière.

**COMBIEN DE TEMPS CETTE GARANTIE DURE :** Cette garantie se rapporte seulement à l'acheteur original du produit et dure pendant une (1) année de la date de l'achat original ou jusqu'à ce que l'acheteur original du produit vend ou transfère le produit, celui qui se produit en premier.

**QUE FERA AIR KING :** Au cours de la période de garantie, Air King, à son choix, réparera ou remplacera n'importe quelle partie ou pièces qui s'avèrent défectueuses ou remplacera le produit entier par le même modèle ou un modèle comparable.

**CE QUE CETTE GARANTIE NE COUVRE PAS :** Cette garantie ne s'applique pas si le produit était endommagé ou arrête de fonctionner en raison d'un accident, d'une mauvaise manipulation ou opération, de dommages d'expédition, d'abus, de mauvaise utilisation, de réparation faite ou tentées non autorisées. Cette garantie ne couvre pas les coûts d'expédition pour le retour des produits à Air King pour la réparation ou le remplacement. Air King payera les frais d'expédition de retour de Air King après les réparations ou le remplacement de garantie.

**TOUTES LES GARANTIES, EXPRESSES OU TACITES (COMPRENANT, SANS LIMITATION, TOUTE GARANTIE TACITE DE VALEUR MARCHANDE), DURENT UN AN DE LA DATE DE L'ACHAT ORIGINAL OU JUSQU'À CE QUE L'ACHETEUR ORIGINAL DU PRODUIT VEND OU TRANSFÈRE LE PRODUIT, CELUI QUI SE PRODUIT EN PREMIER ET DANS AUCUN CAS AIR KING N'ASSUME AUCUNE RESPONSABILITÉ EXPRESSE OU TACITE POUR (I) DES DOMMAGES ACCIDENTELS OU INDIRECTS DE N'IMPORTE QUELLE CAUSE, OU (II) LE REMPLACEMENT OU LA RÉPARATION DE TOUS FUSIBLES, DISJONCTEURS OU RÉCEPTACLES DE MAISON. MALGRÉ N'IMPORTE QUOI À L'EFFET CONTRAIRE, DANS AUCUN CAS LA RESPONSABILITÉ D'AIR KING, SOUS UNE GARANTIE EXPRESSE OU TACITE, NE DÉPASSERA LE PRIX D'ACHAT DU PRODUIT ET UNE TELLE RESPONSABILITÉ SE TERMINERA AVEC L'EXPIRATION DE LA PÉRIODE DE GARANTIE.**

Certains états et provinces ne permettent pas les limitations de la période de garantie, ou l'exclusion ou la restriction des dommages accidentels ou indirects, et, par conséquent, les présentes restrictions ne peuvent pas s'appliquer. La présente garantie vous donne des droits légaux spécifiques et peut-être certains autres droits qui peuvent varier selon la province. La preuve d'achat est exigée avant qu'une réclamation de garantie ne soit acceptée.

## SERVICE À LA CLIENTÈLE :

**Sans frais (800) 465-7300**

Notre équipe de service à la clientèle est disponible pour vous aider avec des questions sur le produit, les adresses des centres de service, et les pièces de rechange. Vous pouvez la rejoindre, du lundi au vendredi, de 8h:00 à 16h:00 HNE. Veuillez avoir le numéro du modèle disponible, ainsi que le genre et le style (qui se trouvent sur l'étiquette à l'intérieur de votre produit).

Veuillez ne pas renvoyer le produit à l'endroit de l'achat.

[www.airkinglimited.com](http://www.airkinglimited.com)

**IL SE PEUT QUE LES PIÈCES POUR LES PRODUITS DISCONTINUÉS, OBSOLÈTES ET AUTRES PRODUITS NE SOIENT PAS DISPONIBLES. POUR DES RAISONS DE SÛRETÉ, BEAUCOUP DE COMPOSANTS ÉLECTRONIQUES ET LA PLUPART DES COMPOSANTS DES CHAUFFAGES NE SONT PAS À LA DISPOSITION DES CONSOMMATEURS POUR L'INSTALLATION OU LE REMPLACEMENT.**

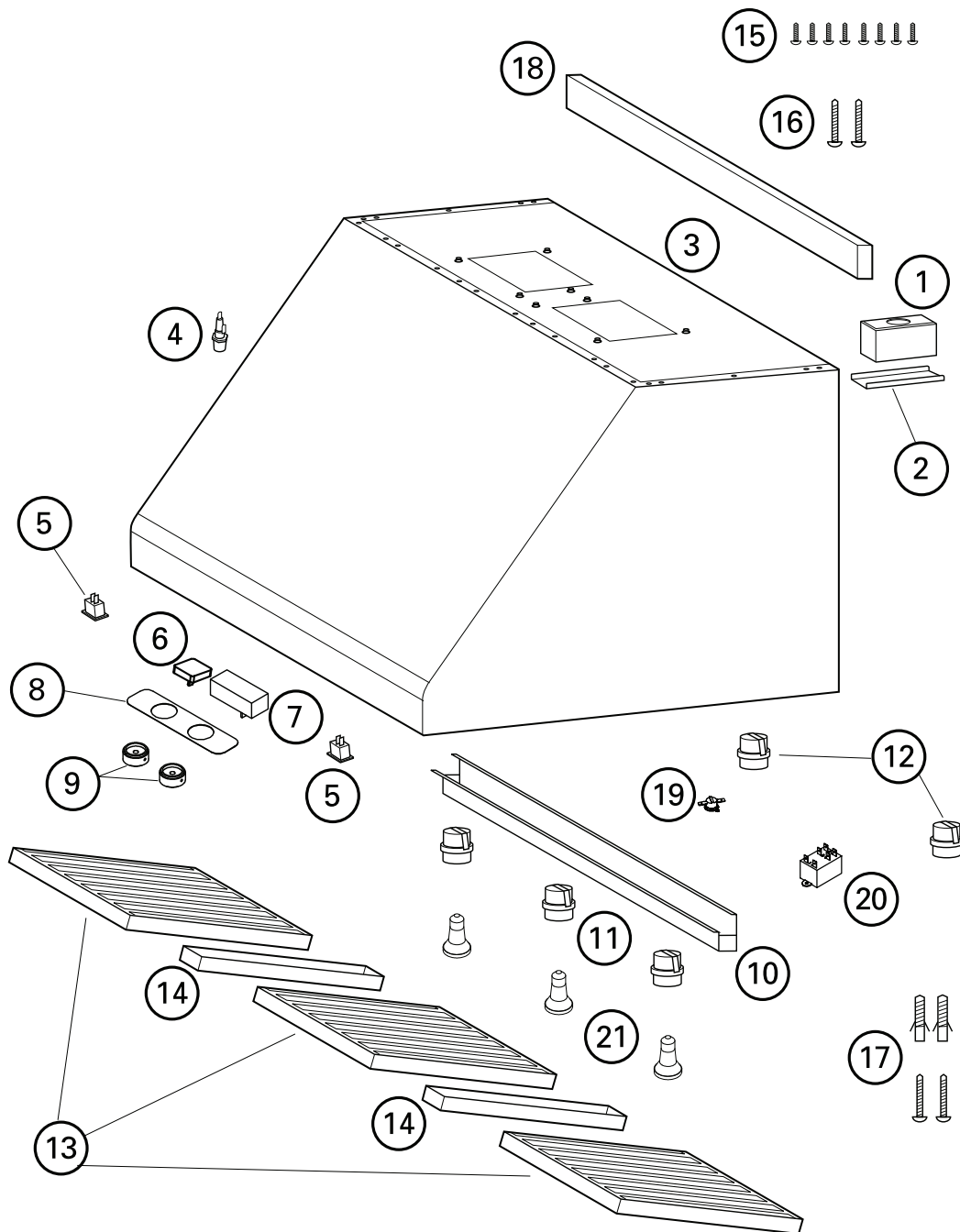
Installateur : \_\_\_\_\_

Date d'installation : \_\_\_\_\_

Endroit de l'achat : \_\_\_\_\_

Numéro de modèle : \_\_\_\_\_

# TABLEAU DES PIÈCES DE RECHANGE



#	Qté.	Description	# de pièce de remplacement
1	1	Boîte de filage	5S1136064
2	1	Couvercle de la boîte de filage	5S1136065
3	1	Couvert	5S1136067
4	1	Fusible	5S1136068
5	2*	Interrupteur de lampe chauffante	5S1136069
6	1	Interrupteur rotatif du ventilateur	5S1136070
7	1	Interrupteur rotatif de l'éclairage	5S1141013
8	1	Plaque d'interrupteur	5S1142010
9	2	Boutons	5S1142011
10	1	Dalot à graisse - 76,2 cm	5S1136074
		Dalot à graisse - 91,44 cm	5S1136089
		Dalot à graisse - 106,68 cm	5S1136090
		Dalot à graisse - 121,92 cm	5S1136091
11	**	Support à lampe halogène	5S1136075

#	Qté.	Description	# de pièce de remplacement
12	1*	Support pour lampe chauffante	5S1136076
13	**	Filter deflecteur - PHGB1	5S1136077
		Filter deflecteur - PHGB2	5S1136078
		Filter deflecteur - PHGB3	5S1136079
14	**	Espaceur du filtre - Séries 76,2 cm	5S1136080
		Espaceur du filtre - Séries 121,92 cm	5S1136081
15	**	Vis de 1,9 cm	5S1136086
16	**	Vis à bois de 5,1 cm	5S1136087
17	**	Vis #8 avec ancrages muraux	5S1136088
18	1	Bande de montage en bois	5S1136084
19	1	Thermostat	5S1141012
20	1	Relais	5S1239008
21	**	Lampe PAR16 de 45W	5S1136099

\* Modèles avec lampe chauffante uniquement

\*\* La quantité varie selon le modèle spécifique

# REMARQUE