

IMPORTANT INSTRUCTIONS - OPERATING MANUAL

Model: PIN30



Profesional Series
Insert

READ AND SAVE THESE INSTRUCTIONS

READ CAREFULLY BEFORE ATTEMPTING TO ASSEMBLE, INSTALL, OPERATE OR MAINTAIN THE PRODUCT DESCRIBED. PROTECT YOURSELF AND OTHERS BY OBSERVING ALL SAFETY INFORMATION. FAILURE TO COMPLY WITH INSTRUCTIONS COULD RESULT IN PERSONAL INJURY AND/OR PROPERTY DAMAGE!

RETAIN INSTRUCTIONS FOR FUTURE REFERENCE.

GENERAL SAFETY INFORMATION

When using electrical appliances, basic precautions should always be followed to reduce the risk of fire, electric shock and injury to person, including the following:

WARNING: TO REDUCE THE RISK OF FIRE, ELECTRIC SHOCK AND INJURY TO PERSON, OBSERVE THE FOLLOWING:

- a) Use this unit only in the manner intended by the manufacturer. If you have questions, contact the manufacturer.
- b) Before servicing or cleaning the unit, switch power off at service panel and lock the service disconnecting means to prevent power from being switched on accidentally. When the service disconnecting means cannot be locked, securely fasten a prominent warning device, such as a tag, to the service panel.

WARNING: TO REDUCE THE RISK OF FIRE, ELECTRIC SHOCK AND INJURY TO PERSON, OBSERVE THE FOLLOWING:

- a) Installation work and electrical wiring must be done by qualified person(s) in accordance with all applicable codes and standards, including fire-related construction.
- b) Sufficient air is needed for proper combustion and exhausting of gases through the flue (chimney) of fuel burning equipment to prevent back drafting. Follow the heating equipment manufacturer's guideline and safety standards such as those published by the National Fire Protection Association (NFPA) and the American Society for Heating, Refrigeration, and Air Conditioning Engineers (ASHRAE), and the local code authorities.
- c) When cutting or drilling into wall or ceiling, do not damage electrical wiring and other hidden utilities.

CAUTION: TO REDUCE THE RISK OF FIRE AND TO PROPERLY EXHAUST AIR, BE SURE TO DUCT AIR OUTSIDE - DO NOT VENT EXHAUST AIR INTO SPACES WITHIN WALLS OR CEILINGS OR INTO ATTICS, CRAWL SPACES, OR GARAGES.

- d) Ducted fans must always be vented to the outdoors.
- e) This unit must be grounded.
- f) To avoid motor bearing damage and noisy and/or unbalanced impellers, keep drywall spray, construction dust, etc. off power unit.
- g) Read all instructions before installing or using exhaust fan.

WARNING: TO REDUCE THE RISK OF FIRE, ELECTRIC SHOCK, DO NOT USE THIS FAN WITH ANY SOLID-STATE SPEED CONTROL DEVICE.

WARNING: TO REDUCE THE RISK OF A RANGE TOP GREASE FIRE:

- a) Never leave surface units unattended at high settings. Boilovers cause smoking and greasy spillovers that may ignite. Heat oils slowly on low or medium settings.
- b) Always turn hood ON when cooking at high heat or when flambéing food (ie. Crepes Suzette, Cherries Jubilee, Peppercorn Beef Flambé).
- c) Clean ventilating fans frequently. Grease should not be allowed to accumulate on fan filter.
- d) Use proper pan size. Always use cookware appropriate for the size of the surface element.

WARNING: TO REDUCE THE RISK OF INJURY TO PERSONS IN THE EVENT OF A RANGE TOP GREASE FIRE, OBSERVE THE FOLLOWING:

- a) SMOTHER FLAMES with a close-fitting lid, cookie sheet, or metal tray, then turn off burner. BE CAREFUL TO PREVENT BURNS. If the flames do not go out immediately, EVACUATE AND CALL THE FIRE DEPARTMENT.
- b) NEVER PICK UP A FLAMING PAN - You may be burned.
- c) DO NOT USE WATER, including wet dishcloths or towels - a violent steam explosion will result.
- d) Use an extinguisher ONLY if:
 - I. You know you have a Class ABC extinguisher, and you already know how to operate it.
 - II. The fire is small and contained in the area where it started.
 - III. The fire department is being called.
 - IV. You can fight the fire with your back to an exit.

WARNING: TO REDUCE THE RISK OF FIRE, USE ONLY METAL DUCTWORK.

SAVE THESE INSTRUCTIONS

INSTALLATION INSTRUCTIONS

CAUTION: MAKE SURE POWER IS SWITCHED OFF AT SERVICE PANEL BEFORE STARTING INSTALLATION.

SECTION 1

Preparing the Insert

1. Unpack hood from the carton and confirm that all pieces are present. In addition to the range hood you should have:
 - 1 - Grease Trough
 - 2 - Grease Baffles
 - 2 - Halogen Lamps
 - 1 - Instruction/Safety Sheet

NOTE: Some hoods may be shipped with a protective plastic adhered to the underside of the unit. It is recommended to leave this in place during installation to protect it from scratching. Remove when the installation is complete.

SECTION 2

Preparing the Area

CAUTION: MAKE SURE POWER IS SWITCHED OFF AT SERVICE PANEL BEFORE STARTING INSTALLATION.

CAUTION: WHEN CUTTING OR DRILLING INTO WALL DO NOT DAMAGE ELECTRICAL WIRING AND OTHER HIDDEN UTILITIES.

1. Cut a hole 30.7" wide by 17.5" deep into the cabinet or canopy the power unit will be mounted into (**Figure 1**):

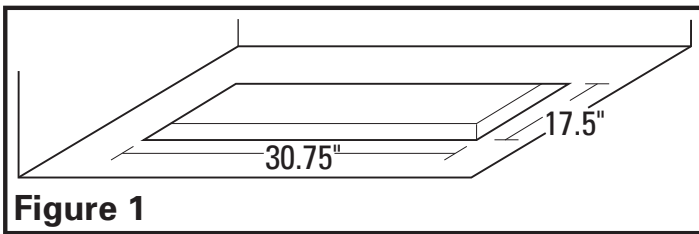


Figure 1

NOTE: The hood must be mounted a minimum of 24" and a maximum of 36" from the cooking surface.

SECTION 3

Optional Hood Liner

1. Secure the liner to the cabinet frame or custom canopy using three screws on each end of the liner and three screws on each side of the top of the liner (**Figure 2**).

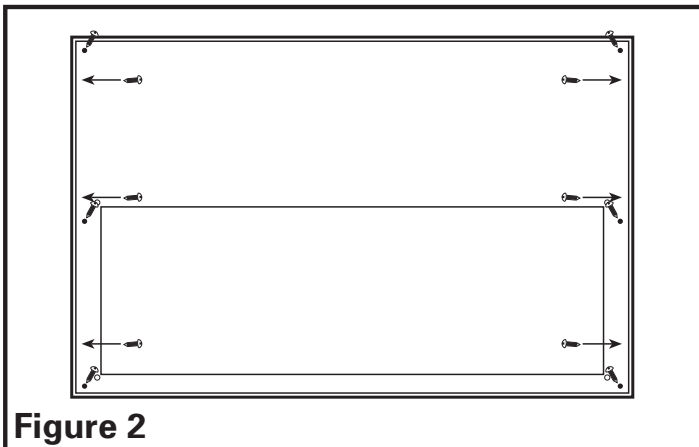


Figure 2

CAUTION: MAKE SURE THE SURFACE YOU ARE MOUNTING THE INSERT AND LINER TO IS CAPABLE OF SUPPORTING THE WEIGHT OF THE UNIT. OTHERWISE YOU WILL NEED TO REINFORCE THE AREA.

SECTION 4

Installing the Insert

NOTE: If cabinet frame work does not exist, you will need to install framing to secure the unit to (**Figure 3**).

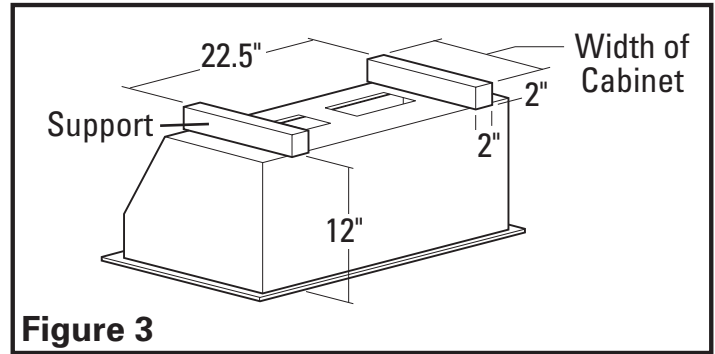


Figure 3

1. Install the insert unit into the hole and secure in place using six screws (not included) (**Figure 4**).

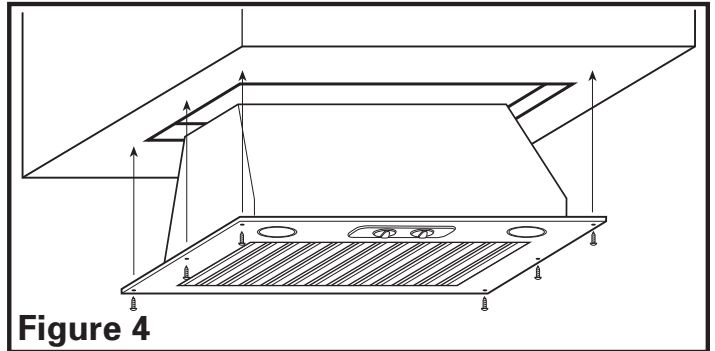


Figure 4

NOTE: If an Air King hood liner is being utilized, use the screws provided with the hood liner to attach the power unit to the liner.

CAUTION: MAKE SURE THE SURFACE YOU ARE MOUNTING THE POWER UNIT TO IS CAPABLE OF SUPPORTING THE WEIGHT OF THE UNIT. OTHERWISE YOU WILL NEED TO REINFORCE THE AREA.

SECTION 5

Ducting

CAUTION: ALL DUCTING MUST COMPLY WITH LOCAL AND NATIONAL BUILDING CODES.

WARNING: TO REDUCE THE RISK OF FIRE, USE ONLY METAL DUCTWORK.

1. Determine the type of ducting you will require (**Figure 5**).

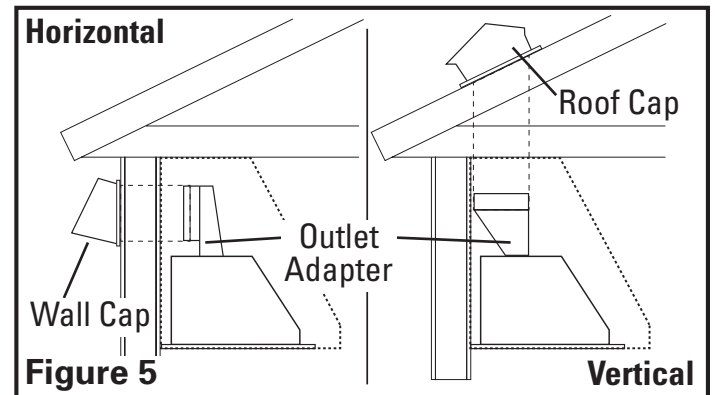


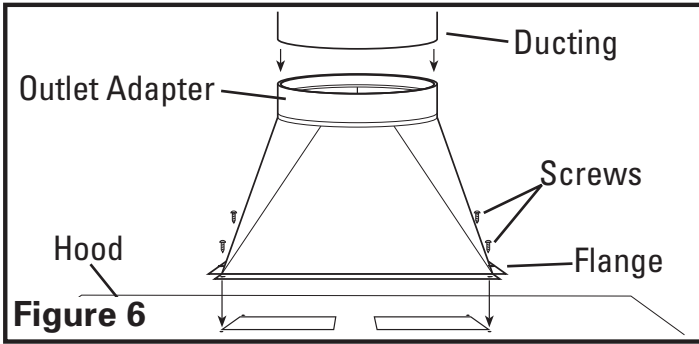
Figure 5

NOTE: For models using the B300, B500, or B600 blowers, a minimum of 6" diameter outlet adapter & ducting is required to achieve the proper air flow. The B900 requires a minimum 8" diameter adapter and ducting, while the B1125 requires a minimum 10" diameter adapter and ducting.

NOTE: When the duct termination is similar to that shown in Figure 5 (passing through the wall to which the hood is mounted) the installation requires special consideration. Depending upon where the wall studs are located, it may be necessary to cut one or more of the wall studs and install a header and footer to transfer the load to the

adjacent studs. Additional studs may need to be framed into the opening to attach dry wall or secure the hood. If this is your situation Air King recommends that you hire a professional and comply with all applicable codes.

2. Install the proper sized outlet adapter (available separately) to the hood by matching up the four holes on the flange of the adapter to the four corresponding holes on the hood and secure in place with the provided screws. Ensure an airtight seal around the adapter by securing all connections with ducting tape (Figure 6).



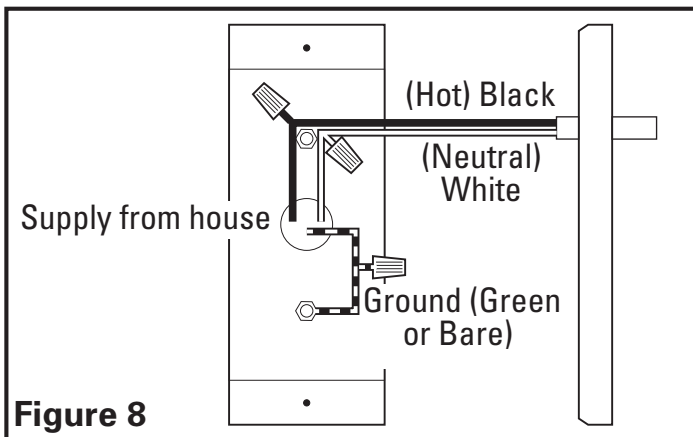
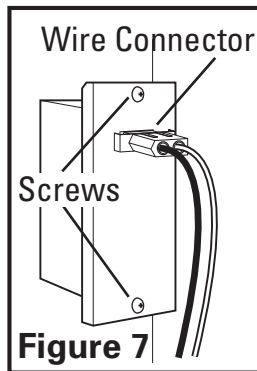
3. When there is access to the top of the unit, connect the ducting to the duct collar and secure in place using tape to seal all joints (Figure 6).
4. When there is no access to the top of the hood, carefully pull down the metal duct through the custom hood base hole. Slide this duct over the duct collar. Make sure the adapter/damper assembly enters the ducting. Seal the connection with duct tape.

SECTION 6

Wiring

CAUTION: ALL ELECTRICAL CONNECTIONS MUST BE MADE IN ACCORDANCE WITH LOCAL CODES, ORDINANCES, OR NATIONAL ELECTRICAL CODE. IF YOU ARE UNFAMILIAR WITH METHODS OF INSTALLING ELECTRICAL WIRING, SECURE THE SERVICES OF A QUALIFIED ELECTRICIAN.

1. Remove the two wire compartment cover screws to gain access into the wire compartment (Figure 7). Connect the white wire from the range hood to the white wire from the supply, and the black wire from the range hood to the black wire of the supply. Connect the ground wire from the home (green or bare) to the ground wire (green) from the hood. Use approved methods for all connections (Figure 8).
2. Replace the wire compartment cover and tighten screws. Make sure all wiring is securely contained within the wire compartment. If the quick connect wire connector was removed from the receptacle, replace. The connector will only fit one way into the receptacle (Figure 7).



SECTION 7

Installing the Blower

1. Refer to the instructions included with the specific blower you have chosen for installation.

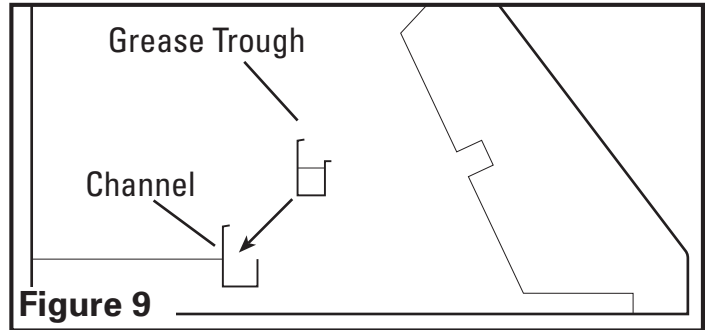
SECTION 8

Finishing the Installation

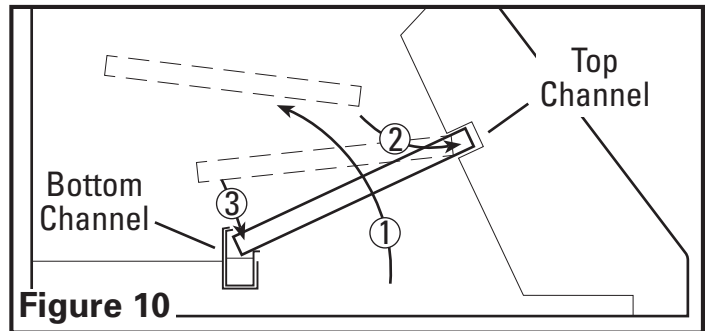
1. Install the proper lighting for your specific unit:

Halogen Lamps: Use PAR16, 45W maximum lamps (available separately). Install by inserting lamp into socket and turning clockwise until lamp is firmly seated. DO NOT over tighten.

2. If the included removable grease trough is not already installed within the hood, insert into the rear inside channel of the hood. Make sure the taller side of the trough is facing towards the back of the hood (Figure 9).



3. Install the baffle filters by inserting the top of the filter into the top channel of the hood, then slide the bottom of the filter into the bottom channel. The filters have a top and a bottom. The bottom of the filter will have small drain holes. These holes must be facing down towards the grease trough to be effective (Figure 10).

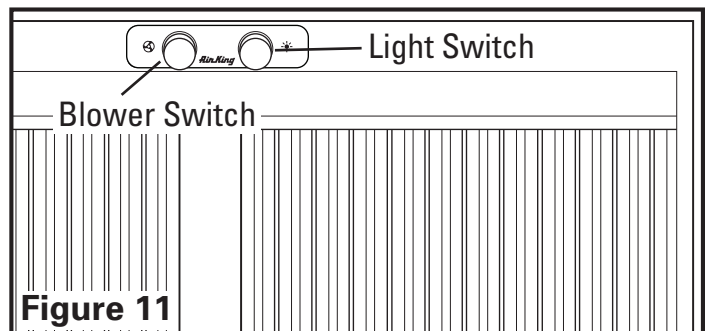


SECTION 9

Operation

Controls

Your Range Hood is equipped with two rotary switches with one controlling the lighting and the other controlling the exhaust fan blower. The light switch has three positions, High, Low, and Off. The fan switch has four positions, Off, High, Medium, and Low (Figure 11).



NOTE: On installation where a One (1) speed blower is utilized, all blower control speeds operate at the same speed. On installation where a Two (2) speed blower is utilized, the Medium and High speeds operate at the same speed.

SECTION 10

Maintenance

CAUTION: MAKE SURE POWER IS SWITCHED OFF AT SERVICE PANEL BEFORE SERVICING THE UNIT.

Grease Baffles

Included with your range hood are stainless steel grease baffles along with a grease trough that should be washed at least once a month. The baffles and trough are dishwasher safe and should be washed in a mild soap or detergent. Reverse the instruction in **SECTION 8** *Finishing the Installation*, to remove baffles and trough. If the grease baffles become damaged, replace with Air King Model PHGB1 Grease Baffles.

CAUTION: ALLOW BULB TO COOL BEFORE REPLACING.

Changing the Lamps

Remove the lamp by turning slightly counter-clockwise and pulling out of the socket. Replace with a PAR16 45W maximum Halogen lamp.

Fuse

To replace the fuse, turn the fuse cap located next to the wire connector counter clockwise and pull out. Refer to the instructions included with the specific blower you have chosen for replacement fuse information.

Cleaning

CAUTION: DO NOT USE GASOLINE, BENZINE, THINNER, HARSH CLEANSERS, ETC., AS THEY MAY DAMAGE THE RANGE HOOD.

1. Clean your power unit with a mild detergent, such as dishwashing liquid, and dry with a soft cloth. **NEVER USE ANY ABRASIVE PADS OR SCOURING POWDERS.** Completely dry before restoring power. **NEVER IMMERSE ELECTRICAL PARTS IN WATER.**
2. The fan assembly can be vacuumed when build up (dirt, lint, etc.) accumulates over time. The fan is permanently lubricated and does not require oiling.

LIMITED WARRANTY

WHAT THIS WARRANTY COVERS: This product is warranted against defects in workmanship and/or materials.

HOW LONG THIS WARRANTY LASTS: This warranty extends only to the original purchaser of the product and lasts for one (1) year from the date of original purchase or until the original purchaser of the product sells or transfers the product, whichever first occurs.

WHAT AIR KING WILL DO: During the warranty period, Air King will, at its sole option, repair or replace any part or parts that prove to be defective or replace the whole product with the same or comparable model.

WHAT THIS WARRANTY DOES NOT COVER: This warranty does not apply if the product was damaged or failed because of accident, improper handling or operation, shipping damage, abuse, misuse, unauthorized repairs made or attempted. This warranty does not cover shipping costs for the return of products to Air King for repair or replacement. Air King will pay return shipping charges from Air King following warranty repairs or replacement.

ANY AND ALL WARRANTIES, EXPRESSED OR IMPLIED (INCLUDING, WITHOUT LIMITATION, ANY IMPLIED WARRANTY OF MERCHANTABILITY), LAST ONE YEAR FROM THE DATE OF ORIGINAL PURCHASE OR UNTIL THE ORIGINAL PURCHASER OF THE PRODUCT SELLS OR TRANSFERS THE PRODUCT, WHICHEVER FIRST OCCURS AND IN NO EVENT SHALL AIR KING'S LIABILITY UNDER ANY EXPRESS OR IMPLIED WARRANTY INCLUDE (I) INCIDENTAL OR CONSEQUENTIAL DAMAGES FROM ANY CAUSE WHATSOEVER, OR (II) REPLACEMENT OR REPAIR OF ANY HOUSE FUSES, CIRCUIT BREAKERS OR RECEPTACLES. NOTWITHSTANDING ANYTHING TO THE CONTRARY, IN NO EVENT SHALL AIR KING'S LIABILITY UNDER ANY EXPRESS OR IMPLIED WARRANTY EXCEED THE PURCHASE PRICE OF THE PRODUCT AND ANY SUCH LIABILITY SHALL TERMINATE UPON THE EXPIRATION OF THE WARRANTY PERIOD.

Some states and provinces do not allow limitations on how long an implied warranty lasts, or the exclusion or limitation of incidental or consequential damages, so these exclusions or limitations may not apply to you. This warranty gives you specific legal rights. You may also have other rights which vary from state to state and province to province. Proof of purchase is required before a warranty claim will be accepted.

CUSTOMER SERVICE:

Toll-Free (800) 465-7300

Our Customer Service team is available to assist you with product questions, service center locations, and replacement parts. They can be reached Monday through Friday, 8am-4pm Eastern. Please have your model number available, as well as the type and style (located on the label inside of your product).

Please do not return product to place of purchase.

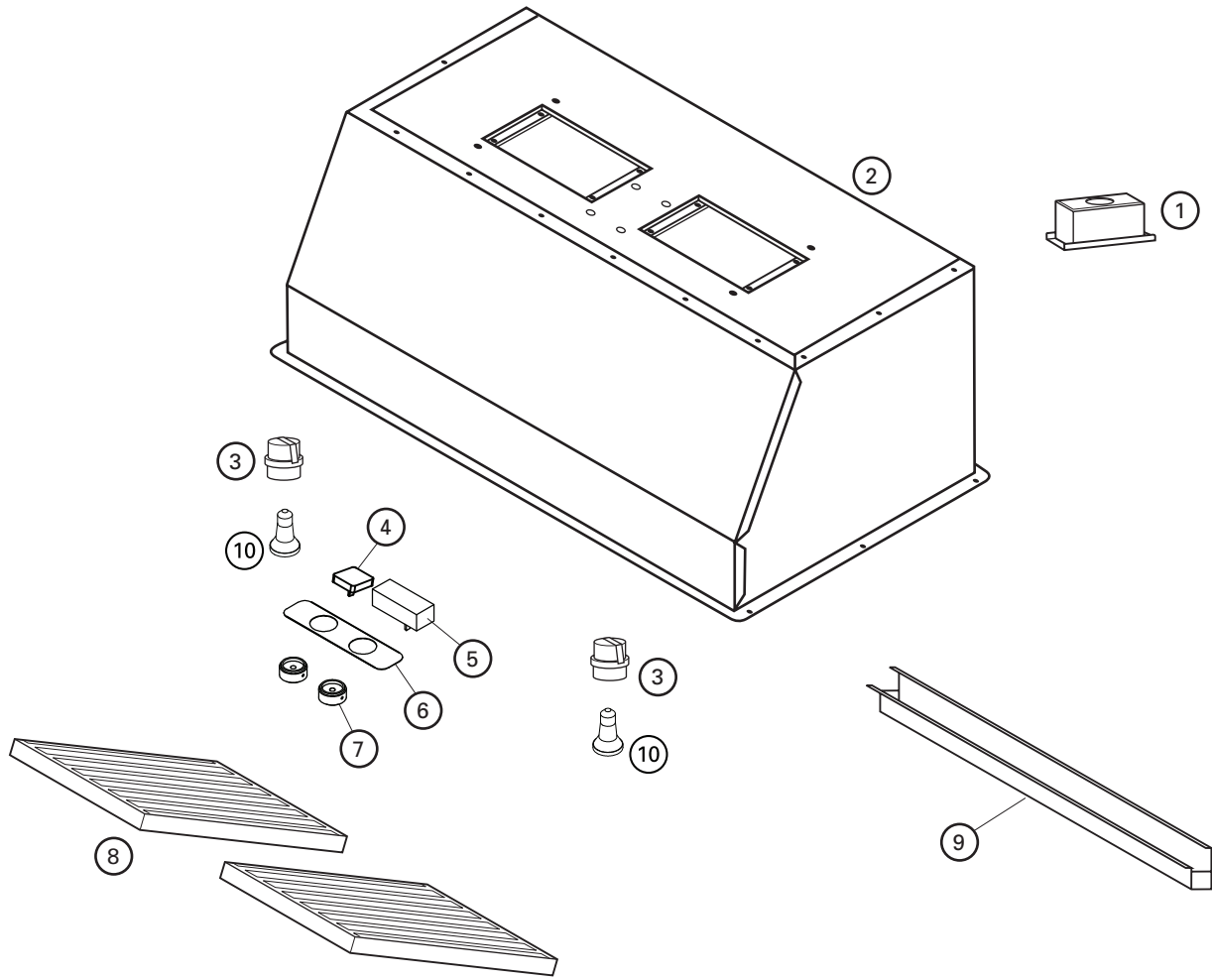
www.airkinglimited.com

PARTS FOR DISCONTINUED, OBSOLETE AND CERTAIN OTHER PRODUCTS MAY NOT BE AVAILABLE. DUE TO SAFETY REASONS, MANY ELECTRONIC COMPONENTS AND MOST HEATER COMPONENTS ARE NOT AVAILABLE TO CONSUMERS FOR INSTALLATION OR REPLACEMENT.

Troubleshooting Guide

Trouble	Probable Cause	Suggested Remedy
1. Hood does not operate when the switch is on.	1a. A fuse may be blown or a circuit tripped. 1b. Wiring is not connected properly.	1a. Replace fuse or reset circuit breaker. 1b. Turn off power to unit. Check that all wires are connected.
2. Hood is operating, but air moves slower than normal.	2. Obstruction in the exhaust ducting.	2. Check for any obstructions in the ducting including filter.
3. Hood is making a rattling noise.	3a. Filters are loose. 3b. Duct connection is loose. 3c. Damper is stuck.	3a. Turn off power to unit. Check that all filter screws are fully tightened. 3b. Turn off power to unit. Check that duct connection is tight. 3c. Turn off power to unit. Check that the damper is opening freely.

REPLACEMENT PARTS DIAGRAM



#	Qty.	Description	Replacement Part #
1	1	Wire Box	5S1136064
2	1	Body	5S1136136
3	2	Lamp Holder	5S1136075
4	1	Fan Switch	5S1136070
5	1	Light Switch	5S1141013
6	1	Switch Plate	5S1142010
7	2	Knob	5S1142011
8	2	Baffle Filter	5S1136077
9	1	Grease Tray	5S1136135
10	2	45w PAR16 Bulb	5S1136099

Installer: _____

Installation Date: _____

Place of Purchase: _____

Model Number: _____

NOTES

INSTRUCTIONS IMPORTANTES – MODE D'EMPLOI

Modèle: PIN30



Encastrement de la série
Professionnelle

LIRE ET CONSERVER CES INSTRUCTIONS

LIRE SOIGNEUSEMENT AVANT DE TENTER D'ASSEMBLER, INSTALLER, OPÉRER OU DE RÉPARER LE PRODUIT DÉCRIT. PROTÉGEZ VOUS-MÊME ET LES AUTRES EN OBSERVANT TOUTE L'INFORMATION DE SÉCURITÉ. FAILLIR À SE CONFORMER AUX INSTRUCTIONS PEUT RÉSULTER EN BLESSURE PERSONNELLE GRAVE ET/OU EN DOMMAGE À LA PROPRIÉTÉ.

CONSERVER CES INSTRUCTIONS POUR RÉFÉRENCES FUTURES.

INSTRUCTIONS GÉNÉRALES DE SÉCURITÉ

Lors de l'utilisation d'appareils électriques, des précautions de base doivent toujours être suivies pour réduire les risques d'incendie, de choc électrique et de blessures corporelles, incluant ce qui suit:

AVERTISSEMENT: POUR RÉDUIRE LES RISQUES D'INCENDIE, DE CHOC ÉLECTRIQUE OU DE BLESSURES PERSONNELLES OBSERVER CE QUI SUIT:

- Utiliser cette unité seulement de la manière pour laquelle le fabricant l'a conçu. Si vous aviez des questions, veuillez contacter le fabricant.
- Avant d'effectuer un service ou de nettoyer l'unité, couper l'alimentation électrique dans le panneau de distribution et verrouiller le dispositif de déconnexion afin d'éviter que l'alimentation ne revienne accidentellement. Lorsque le dispositif ne peut être verrouillé, fixer solidement un avis d'avertissement, tel qu'une étiquette, au panneau de distribution.

AVERTISSEMENT: POUR RÉDUIRE LES RISQUES D'INCENDIE, DE CHOC ÉLECTRIQUE OU DE BLESSURES PERSONNELLES OBSERVER CE QUI SUIT:

- Le travail d'installation et le câblage électrique doivent être effectués par une(des) personne(s) qualifiée(s) en conformité avec tous les codes et normes applicables, incluant la construction relative aux incendies.
- De l'air en quantité suffisante est requis pour la bonne combustion et l'évacuation de gaz par le conduit (cheminée) provenant d'équipement de brûlage au combustible pour prévenir un refoulement. Suivre les directives du fabricant de l'équipement de chauffage et les normes de sécurité telles que celles publiées par la National Fire Protection Association (NFPA) et de la American Society for Heating, Refrigeration, and Air Conditioning Engineers (ASHRAE), et de celles des autorités locales du code.
- When cutting or drilling into wall or ceiling, do not damage electrical wiring and other hidden utilities.

AVERTISSEMENT: POUR RÉDUIRE LES RISQUES D'INCENDIE ET POUR ÉVACUER L'AIR ADÉQUATEMENT, ASSUREZ-VOUS D'ÉVACUER L'AIR VERS L'EXTÉRIEUR – NE PAS ÉVACUER L'AIR DANS DES ESPACES DANS LES MURS, LES PLAFONDS OU LES GRENIERS, LES GALERIES TECHNIQUES OU LES GARAGES.

- Les ventilateurs avec conduits doivent toujours être évacués vers l'extérieur.
- Cette unité doit être mise à la terre.
- Pour éviter des dommages aux roulements des moteurs et/ou des hélices bruyantes ou déséquilibrées, empêcher la poussière de cloison sèche, poussière de construction, etc., d'atteindre l'unité de puissance.
- Lire toutes les instructions avant d'installer ou d'utiliser la hotte de cuisine.

AVERTISSEMENT: POUR RÉDUIRE LES RISQUES D'INCENDIE OU DE CHOC ÉLECTRIQUE, NE PAS UTILISER CE VENTILATEUR AVEC UN RÉGULATEUR DE VITESSE ÉLECTRONIQUE.

AVERTISSEMENT: POUR RÉDUIRE LES RISQUES D'INCENDIE DE GRAISSE SUR LE DESSUS DE LA CUISINIÈRE:

- Ne jamais laisser les unités de surface à des degrés élevés sans surveillance. Les débordements par bouillonnement produisent de la fumée et des débordements graisseux qui peuvent s'enflammer. Chauffer les huiles lentement à des degrés faibles ou modérés.
- Toujours mettre la hotte EN MARCHE lors de cuisson à haute température ou lors de flambage de nourriture (par ex., des Crêpes Suzette, de Cerises Jubilées, steak flambé, etc.)
- Nettoyer les ventilateurs d'évacuation fréquemment. Aucune accumulation de graisse ne devrait être tolérée sur les filtres du ventilateur.
- Utiliser des poêlons de taille appropriée. Toujours utiliser les batteries de cuisine appropriées pour la taille de l'élément de surface.

AVERTISSEMENT: POUR RÉDUIRE LES RISQUES DE BLESSURES PERSONNELLES DANS L'ÉVENTUALITÉ D'UN FEU DE GRAISSE SUR LA SURFACE DE CUISSON, SUIVRE LES INDICATIONS SUIVANTES:

- ÉTOUFFER LES FLAMMES avec un couvercle bien ajusté, une tôle à biscuits, ou un cabaret de métal, puis, mettre le gril hors fonction. PRENEZ SOIN D'ÉVITER LES BRÛLURES. Si les flammes ne s'éteignent pas immédiatement, ÉVACUER ET APPELER LE SERVICE DES INCENDIES.
- NE JAMAIS SAISIR UN POÊLON EN FLAMME – vous pourriez être brûlé.
- NE PAS UTILISER DE L'EAU, incluant les linges à vaisselle ou les serviettes mouillées – il en résulterait une violente explosion de vapeur.
- Utiliser un extincteur SEULEMENT SI:
 - Vous savez que vous avez un extincteur de classe ABC, et que vous savez déjà comment l'opérer.
 - Le feu est petit et contenu dans la zone où il a commencé.
 - On appelle le service des incendies.
 - Vous pouvez combattre l'incendie avec une sortie derrière vous.

AVERTISSEMENT: POUR RÉDUIRE LES RISQUES D'INCENDIE, UTILISER UNIQUEMENT DES CONDUITS EN MÉTAL.

CONSERVER CES INSTRUCTIONS

INSTRUCTIONS POUR L'INSTALLATION

MISE EN GARDE : ASSUREZ-VOUS QUE L'ALIMENTATION ÉLECTRIQUE EST COUPÉE À PARTIR DU PANNEAU DE DISTRIBUTION AVANT DE COMMENCER L'INSTALLATION.

SECTION 1

Préparation de l'insert

1. Sortez la hotte de l'emballage et assurez-vous d'avoir toutes les pièces. En plus de la hotte, vous devriez avoir :

- 1 - Dalot à graisse
- 2 - Défecteurs de graisse
- 2 - Lampes halogènes
- 1 - Feuillet d'instruction/de sécurité

REMARQUE : Certaines hottes peuvent être expédiées avec protecteur en plastique collé à la hotte. Il est recommandé de le laisser en place durant l'installation pour protéger la hotte contre les égratignures. Enlever une fois l'installation complétée.

SECTION 2

Préparation de la région

AVERTISSEMENT : VOUS ASSURER QUE L'ALIMENTATION EST COUPÉE AU PANNEAU DE SERVICE AVANT DE COMMENCER L'INSTALLATION.

AVERTISSEMENT : LORS DE DECOUPE OU DE PERCAGE DANS UN MUR NE PAS ENDOMMAGER DE FILAGE ÉLECTRIQUE OU AUTRES UTILITÉS DISSIMULÉES.

1. Découpez un trou de 77,5 cm de large sur 44,5 cm de profond dans l'armoire ou le couvert dans lequel sera monté l'unité (**Figure 1**):

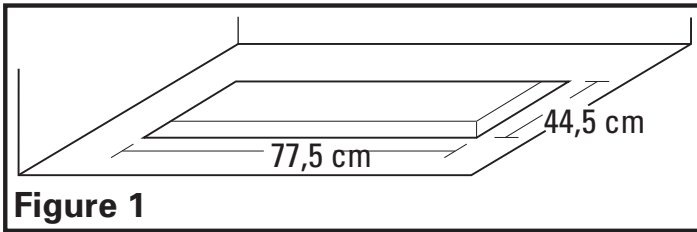


Figure 1

REMARQUE : La hotte doit être montée à un minimum de 60,1 cm et à un maximum de 91,4 cm de la surface de cuisson.

SECTION 3

Bande optionnelle de hotte

1. Fixez la bande au châssis de l'armoire ou au couvercle personnalisé à l'aide des 3 vis de chaque bout de la bande et de 3 vis de chaque côté du haut de la bande (**Figure 2**).

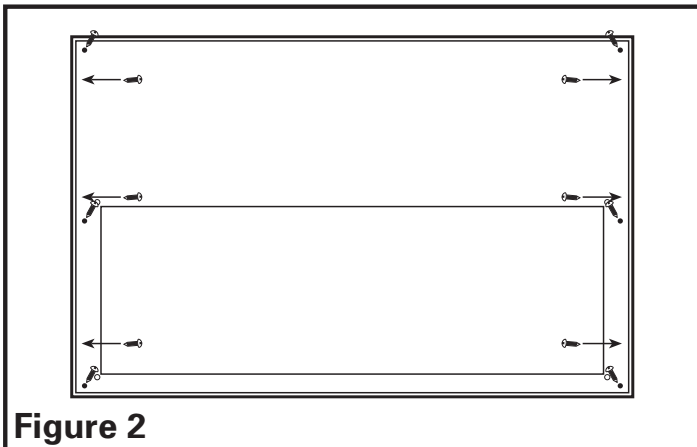


Figure 2

AVERTISSEMENT : ASSUREZ-VOUS QUE LA SURFACE SUR LAQUELLE VOUS MONTEZ L'INSERT ET LA BANDE EST CAPABLE DE SUPPORTER LE POIDS DE L'UNITÉ. AUTREMENT VOUS AUREZ BESOIN DE RENFORCER LA RÉGION.

SECTION 4

Installation de l'insert

REMARQUE : S'il n'existe pas une armature pour le cabinet, vous devrez installer l'armature pour y attacher l'unité (**Figure 3**).

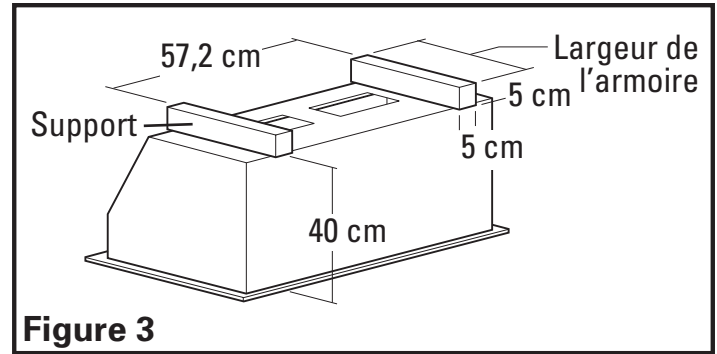


Figure 3

1. Insérez l'unité de puissance dans le trou et fixez-la en place à l'aide des six vis (non inclus) (**Figure 4**).

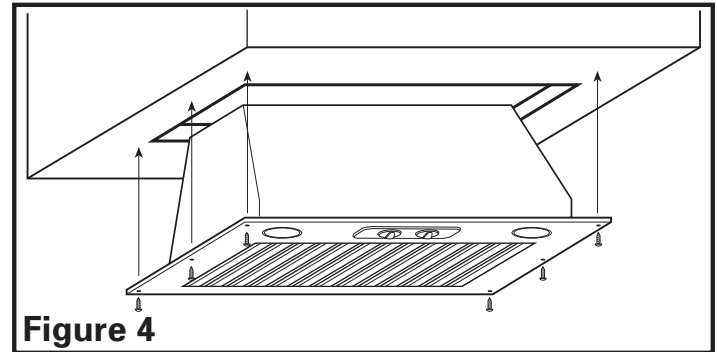


Figure 4

REMARQUE : Si une bande de hotte Air King est utilisée, utilisez les vis comprises avec la bande de hotte pour fixer l'unité de puissance à la bande.

AVERTISSEMENT : ASSUREZ-VOUS QUE LA SURFACE SUR LAQUELLE VOUS INSTALLEZ L'UNITÉ DE PUISSANCE EST CAPABLE DE SUPPORTER LE POIDS DE L'UNITÉ. AUTREMENT VOUS AUREZ BESOIN DE RENFORCER CETTE RÉGION.

SECTION 5

Conduits

AVERTISSEMENT : TOUS LES CONDUITS DOIVENT ÊTRE CONFORMES AUX CODES LOCAL ET NATIONAL DU BÂTIMENT.

AVERTISSEMENT : POUR RÉDUIRE LES RISQUES D'INCENDIE UTILISER UNIQUEMENT DES CONDUITS EN MÉTAL.

1. Déterminer le type de conduits dont vous aurez besoin (**Figure 5**).

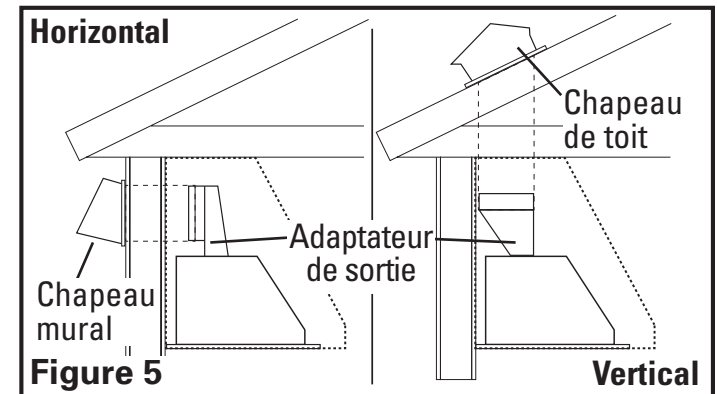


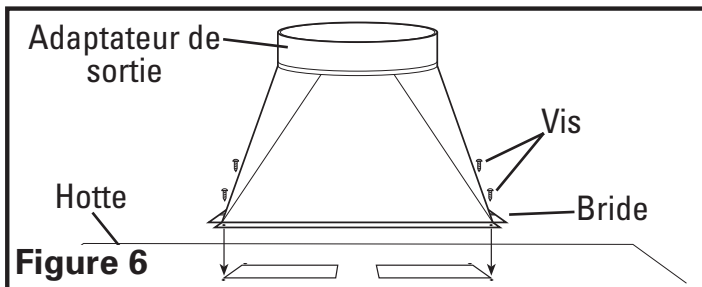
Figure 5

REMARQUE : Pour des modèles utilisant les ventilateurs B300, B500, ou B600, un conduit et un adaptateur de sortie de 6 po de diamètre au minimum sont exigés pour obtenir la circulation d'air appropriée. Le B900 exige un conduit et un adaptateur de sortie de 8 po de diamètre au minimum, alors que le B1125 exige un conduit et un adaptateur de sortie de 6 po de diamètre au minimum.

REMARQUE : Lorsque la terminaison du conduit est similaire à celle illustrée à la figure 5 (passant au travers du mur sur lequel la hotte est installée) l'installation requiert une considération spéciale. Dépendant de où les montants muraux sont situés, il peut être

nécessaire de couper un montant mural ou plus et d'installer une chevêtre et une assise pour transférer la charge aux montants adjacents. Des montants additionnels pourraient devoir être bâtis dans l'ouverture pour fixer la cloison sèche et pour fixer la hotte. Si vous rencontrez cette situation, Air King recommande que vous embauchiez un professionnel et que vous vous conformiez avec tous les codes du bâtiment applicables.

2. Installer l'adaptateur mural de la bonne taille requise (disponible séparément) à la hotte en alignant les quatre trous sur la bride de l'adaptateur aux quatre trous correspondants sur la hotte et fixer en place avec les vis comprises. Assurez-vous que le joint est étanche autour de l'adaptateur en sécurisant tous les raccords avec du ruban de gaine (Figure 6).



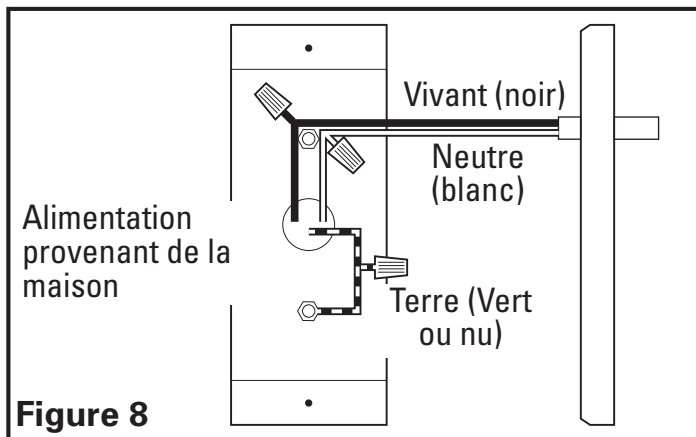
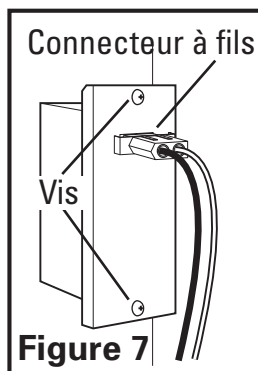
3. Quand il y a accès au dessus de l'unité, reliez la canalisation au collier de conduit et fixez-la en place en utilisant un ruban adhésif pour sceller tous les joints (Figure 6).
4. Quand il n'y a aucun accès au dessus de la hotte, abaissez soigneusement le conduit en métal par le trou à la base de la hotte. Glissez ce conduit au-dessus du collier de conduit. Assurez-vous que l'assemblage de la pièce d'ajustage / du clapet entre dans la canalisation. Scellez le raccordement avec le ruban adhésif de conduit.

SECTION 6

Câblage

AVERTISSEMENT : TOUTES LES CONNEXIONS DOIVENT ÊTRE FAITES EN CONFORMITÉ AVEC LES CODES ÉLECTRIQUES LOCAUX OU NATIONAUX. SI VOUS N'ÊTES PAS FAMILIER AVEC LES MÉTHODES D'INSTALLATION DE CÂBLAGE ÉLECTRIQUE, RECOURREZ AUX SERVICES D'UN ÉLECTRICIEN QUALIFIÉ.

1. Enlever les deux vis du couvercle du compartiment de câblage pour obtenir l'accès au compartiment de câblage (Figure 7). Raccorder le fil blanc de la hotte au fil blanc de l'alimentation, et le fil noir de la hotte au fil noir de l'alimentation. Raccorder le fil de mise à la terre de la maison (fil nu ou vert) au fil de mise à la terre (vert) de la hotte. Utiliser des méthodes approuvées pour toutes les connexions (Figure 8).
2. Replacer le couvercle du compartiment de câblage et serrer les vis. Assurez-vous que tout le câblage est fermement contenu dans le compartiment à câblage. Si le connecteur rapide de fils a été enlevé du réceptacle, le replacer. Le connecteur ne s'ajustera que d'une seule façon dans le réceptacle (Figure 7).



SECTION 7

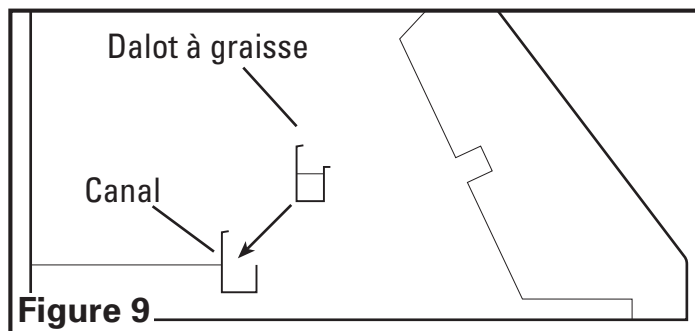
Installation de la soufflante

1. Référez-vous aux instructions comprises avec la soufflante spécifique que vous avez choisie pour l'installation.

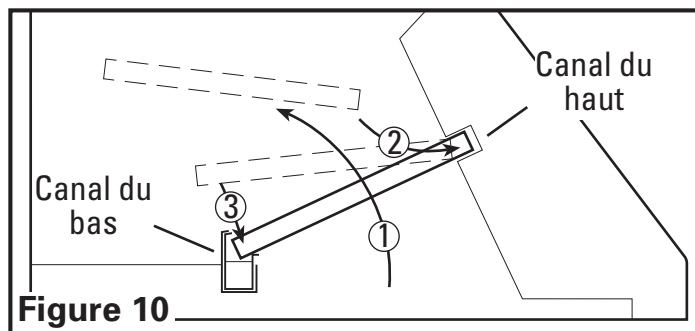
SECTION 8

Terminer l'installation

1. Installer le bon éclairage pour votre unité spécifique :
Lampes halogènes : Utiliser des lampes PAR16, d'un maximum de 45 watts (disponibles séparément). L'installer en insérant la lampe dans le réceptacle et en tournant en sens horaire jusqu'à ce que la lampe soit fermement installée. NE PAS serrer à outrance.
2. Si le dalot à graisse rétractable compris n'est pas déjà installé dans la hotte, l'insérer dans le canal intérieur arrière de la hotte. Assurez-vous que le côté le plus long du dalot fait face vers l'arrière de la hotte (Figure 9).



3. Installez les filtres déflecteurs en insérant le haut du filtre dans le canal du haut de la hotte, puis glissez le bas du filtre dans le canal du bas. Les filtres ont un sens pour le haut et le bas. Le bas sur le filtre aura des petits trous pour le drainage. Ces trous doivent faire face vers le bas en direction du dalot à graisse pour être efficaces (Figure 10).

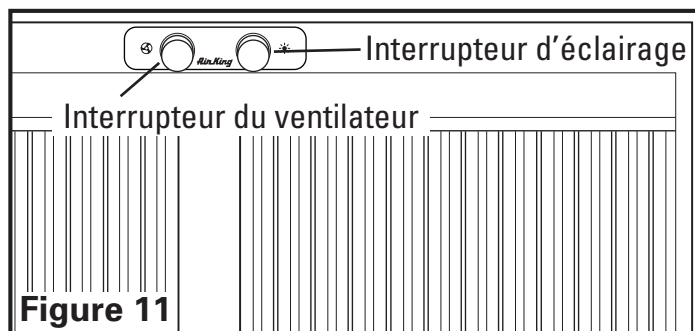


SECTION 9

Operation

Contrôles

Votre hotte de cuisinière est équipée avec deux interrupteurs rotatifs dont l'un contrôle l'éclairage et l'autre contrôle la soufflante du ventilateur d'évacuation. L'interrupteur de l'éclairage a 3 positions, Haute, Basse, et Éteinte. Le commutateur de vitesse du ventilateur a quatre positions, Éteinte, Haute, Moyenne, et Basse (Figure 11).



REMARQUE : Sur les installations où un ventilateur à une (1) seule vitesse est utilisé, tous les contrôles du ventilateur opèrent à la même vitesse. Sur les installations où un ventilateur à deux (2) vitesses est utilisé, les vitesses MOYENNE et HAUTE opèrent à la même vitesse.

SECTION 10

Maintenance

AVERTISSEMENT : VOUS ASSURER QUE L'ALIMENTATION EST COUPÉE AU PANNEAU DE SERVICE AVANT DE FAIRE L'ENTRETIEN SUR L'UNITÉ.

Défecteurs de graisse

Des déflecteurs de graisse en acier inoxydable sont compris avec votre hotte de cuisinière, ainsi qu'un dalot à graisse qui doivent être lavés au moins une fois par mois. Les déflecteurs et le dalot vont au lave-vaisselle et doivent être lavés avec un savon ou un détergent doux. Inverser les instructions de la **SECTION 8 Terminer l'installation**, pour enlever les déflecteurs et le dalot. Si vous endommagez les déflecteurs de graisse, remplacer avec les déflecteurs de graisse modèle PHGB1.

AVERTISSEMENT : LAISSER REFROIDIR LA LAMPE AVANT DE LA REMPLACER.

Remplacement des lampes

Enlevez la lampe en tournant légèrement dans le sens contraire des aiguilles d'une montre et retirez de la douille. Remplacez par une lampe halogène PAR16 de 45W au maximum.

Fusible

Pour remplacer le fusible, tournez le bouchon de fusible situé à côté du capuchon de connexion dans le sens inverse des aiguilles d'une montre et retirez. Référez-vous aux instructions incluses avec le ventilateur spécifique que vous avez choisi pour l'information sur le changement du fusible.

Nettoyage

AVERTISSEMENT : NE PAS UTILISER D'ESSENCE, BENZÈNE, DILUANT, DE NETTOYANT FORT, ETC., PUISQU'ILS POURRAIENT ENDOMMAGER LA HOTTE DE CUISINE.

1. Nettoyer votre hotte de cuisine avec un détergent doux, tel que du liquide à vaisselle, et le sécher avec un chiffon doux. **NE JAMAIS UTILISER DE TAMPON ABRASIF OU DE POUDRE À RÉCURER.** Sécher complètement avant de remettre l'alimentation. **NE JAMAIS IMMERGER LES PARTIES ÉLECTRIQUES DANS L'EAU.**
2. L'assemblage de la soufflante peut être passé à l'aspirateur au cas où un amas (saleté, peluche, etc.) se serait accumulé avec le temps. La soufflante est lubrifiée en permanence et ne nécessite pas d'huilage.

GARANTIE LIMITÉE

CE QUE COUVRE CETTE GARANTIE : Ce produit est garanti contre tout vice de fabrication ou de matière.

COMBIEN DE TEMPS CETTE GARANTIE DURE : Cette garantie se rapporte seulement à l'acheteur original du produit et dure pendant une (1) année de la date de l'achat original ou jusqu'à ce que l'acheteur original du produit vend ou transfère le produit, celui qui se produit en premier.

QUE FERA AIR KING : Au cours de la période de garantie, Air King, à son choix, réparera ou remplacera n'importe quelle partie ou pièces qui s'avèrent défectueuses ou remplacera le produit entier par le même modèle ou un modèle comparable.

CE QUE CETTE GARANTIE NE COUVRE PAS : Cette garantie ne s'applique pas si le produit était endommagé ou arrête de fonctionner en raison d'un accident, d'une mauvaise manipulation ou opération, de dommages d'expédition, d'abus, de mauvaise utilisation, de réparation faite ou tentées non autorisées. Cette garantie ne couvre pas les coûts d'expédition pour le retour des produits à Air King pour la réparation ou le remplacement. Air King payera les frais d'expédition de retour de Air King après les réparations ou le remplacement de garantie.

TOUTES LES GARANTIES, EXPRESSES OU TACITES (COMPRENANT, SANS LIMITATION, TOUTE GARANTIE TACITE DE VALEUR MARCHANDE), DURENT UN AN DE LA DATE DE L'ACHAT ORIGINAL OU JUSQU'À CE QUE L'ACHETEUR ORIGINAL DU PRODUIT VEND OU TRANSFÈRE LE PRODUIT, CELUI QUI SE PRODUIT EN PREMIER ET DANS AUCUN CAS AIR KING N'ASSUME AUCUNE RESPONSABILITÉ EXPRESSE OU TACITE POUR (I) DES DOMMAGES ACCIDENTELS OU INDIRECTS DE N'IMPORTE QUELLE CAUSE, OU (II) LE REMPLACEMENT OU LA RÉPARATION DE TOUS FUSIBLES, DISJONCTEURS OU RÉCEPTACLES DE MAISON. MALGRÉ N'IMPORTE QUOI À L'EFFET CONTRAIRE, DANS AUCUN CAS LA RESPONSABILITÉ D'AIR KING, SOUS UNE GARANTIE EXPRESSE OU TACITE, NE DÉPASSERA LE PRIX D'ACHAT DU PRODUIT ET UNE TELLE RESPONSABILITÉ SE TERMINERA AVEC L'EXPIRATION DE LA PÉRIODE DE GARANTIE.

Certains états et provinces ne permettent pas les limitations de la période de garantie, ou l'exclusion ou la restriction des dommages accidentels ou indirects, et, par conséquent, les présentes restrictions ne peuvent pas s'appliquer. La présente garantie vous donne des droits légaux spécifiques et peut-être certains autres droits qui peuvent varier selon la province. La preuve d'achat est exigée avant qu'une réclamation de garantie ne soit acceptée.

SERVICE À LA CLIENTÈLE :

Sans frais (800) 465-7300

Notre équipe de service à la clientèle est disponible pour vous aider avec des questions sur le produit, les adresses des centres de service, et les pièces de rechange. Vous pouvez la rejoindre, du lundi au vendredi, de 8h:00 à 16h:00 HNE. Veuillez avoir le numéro du modèle disponible, ainsi que le genre et le style (qui se trouvent sur l'étiquette à l'intérieur de votre produit).

Veuillez ne pas renvoyer le produit à l'endroit de l'achat.

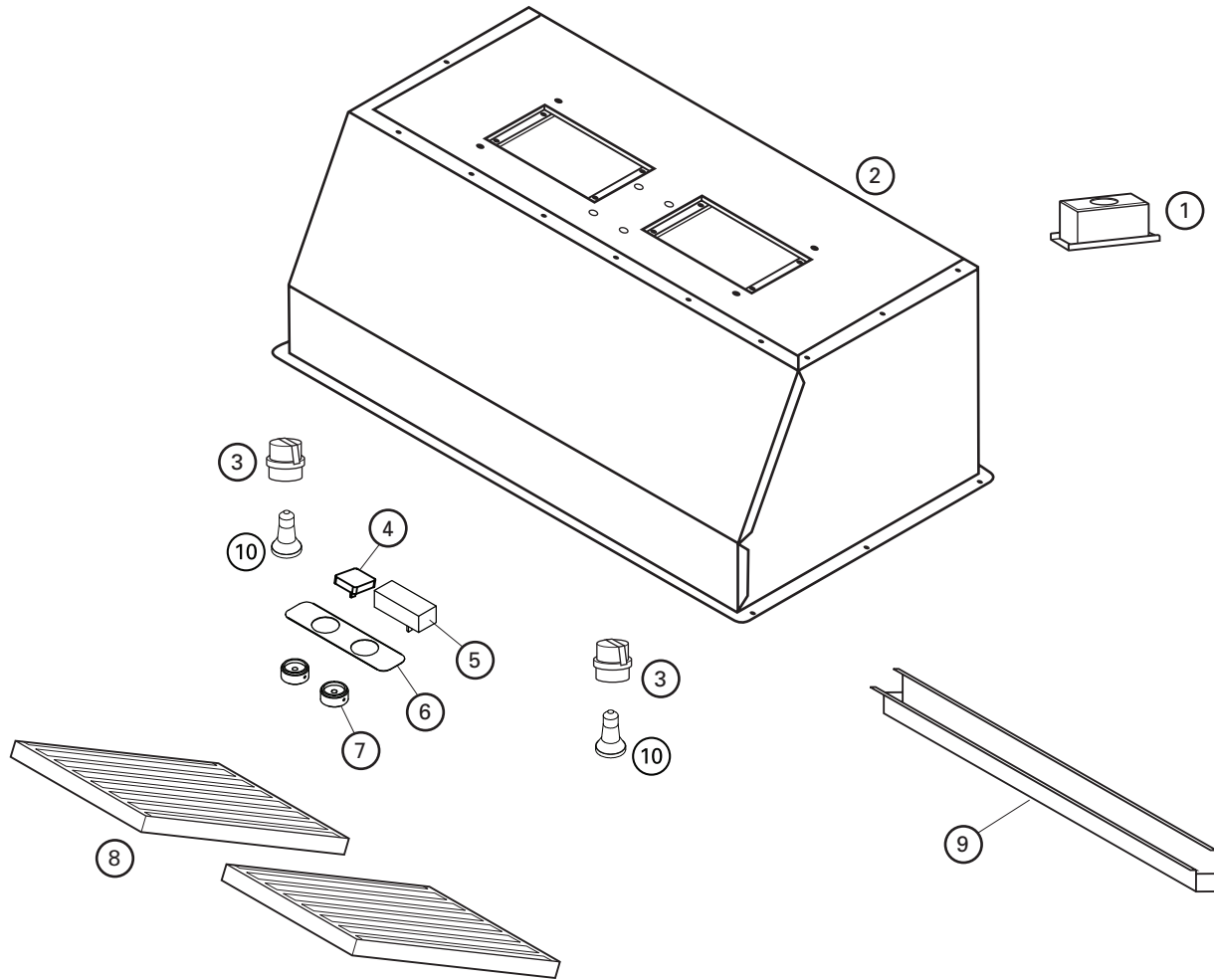
www.airkinglimited.com

IL SE PEUT QUE LES PIÈCES POUR LES PRODUITS DISCONTINUÉS, OBSOLÈTES ET AUTRES PRODUITS NE SOIENT PAS DISPONIBLES. POUR DES RAISONS DE SÛRETÉ, BEAUCOUP DE COMPOSANTS ÉLECTRONIQUES ET LA PLUPART DES COMPOSANTS DES CHAUFFAGES NE SONT PAS À LA DISPOSITION DES CONSOMMATEURS POUR L'INSTALLATION OU LE REMPLACEMENT.

Guide de dépannage

Trouble	Cause possible	Solution suggérée
1. La hotte ne fonctionne pas lorsque l'interrupteur est à EN (ON).	1a. Un fusible peut être grillé ou un disjoncteur peut être déclenché. 1b. Le câblage n'est pas raccordé correctement.	1a. Remplacer le fusible ou réinitialiser le disjoncteur. 1b. Couper l'alimentation de l'unité. Vérifier que tous les fils sont raccordés.
2. La hotte fonctionne, mais l'air circule plus lentement que la normale.	2. Obstruction dans les conduits d'évacuation.	2. Vérifier pour quelque obstruction dans les conduits incluant le filtre.
3. La hotte produit un son de crécelle.	3a. Les filtres sont lâches 3b. Le raccord des conduits est lâche. 3c. Le clapet est coincé	3a. Couper l'alimentation à l'unité. Vérifier que tous les filtres sont bien fixés. 3b. Couper l'alimentation de l'unité. Vérifier que tous les raccords des conduits sont bien serrés. 3c. Coupez le courant à l'unité. Vérifiez que le clapet s'ouvre librement.

TABLEAU DES PIÈCES DE RECHANGE



#	Qté.	Description	# de pièce de remplacement
1	1	Boîte de filage	5S1136064
2	1	Châssis	5S1136136
3	2	Douille	5S1136075
4	1	Interrupteur du moteur	5S1136070
5	1	Interrupteur du lampe	5S1141013
6	1	Plaque d'interrupteur	5S1142010
7	2	Bouton	5S1142011
8	2	Filtre déflecteur	5S1136077
9	1	Dalot à graisse	5S1136135
10	2	Lampe PAR16 de 45W	5S1136099

Installateur : _____

Date d'installation : _____

Endroit de l'achat : _____

Numéro de modèle : _____

REMARQUE