

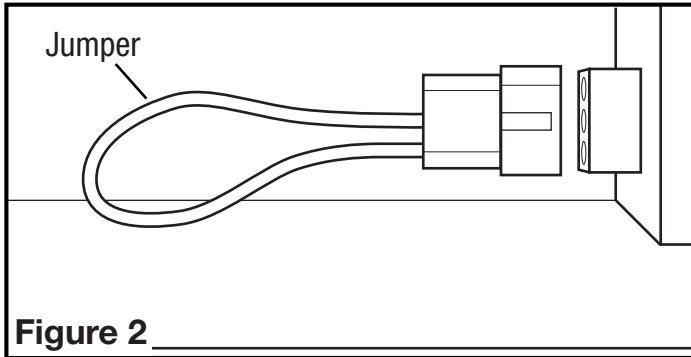
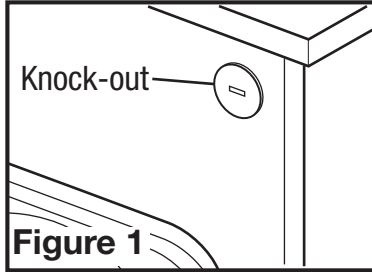
INSTRUCTION SUPPLEMENTAL

Air King Model R24

NOTE: Make sure to read all instructions included with this unit before starting installation.

Preparing the Fan

1. Locate the knock-out on the front side of the fan and remove using a straight-blade screw driver (**Figure 1**).
2. Install the included bushing into the knock-out hole.
3. Open the top access panel of the fan. On the wire compartment there is a 3 pin molex jumper attached to the 3 pin connector towards the bottom of the wire compartment. Remove this jumper. It will not be used (**Figure 2**).



Wiring

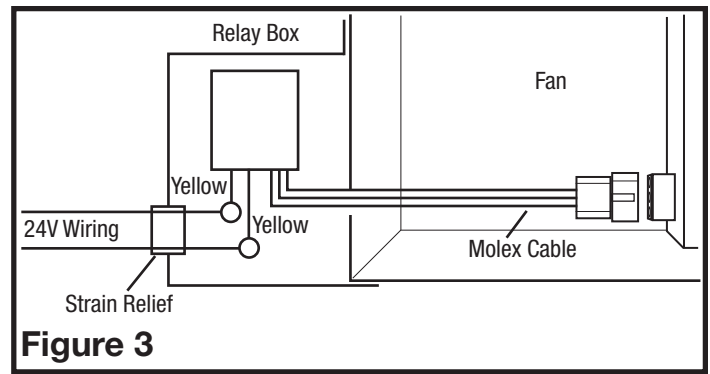


CAUTION: MAKE SURE POWER IS SWITCHED OFF AT SERVICE PANEL BEFORE STARTING INSTALLATION.



CAUTION: ALL ELECTRICAL CONNECTIONS MUST BE MADE IN ACCORDANCE WITH LOCAL CODES, ORDINANCES, OR NATIONAL ELECTRICAL CODE. IF YOU ARE UNFAMILIAR WITH METHODS OF INSTALLING ELECTRICAL WIRING, SECURE THE SERVICES OF A QUALIFIED ELECTRICIAN.

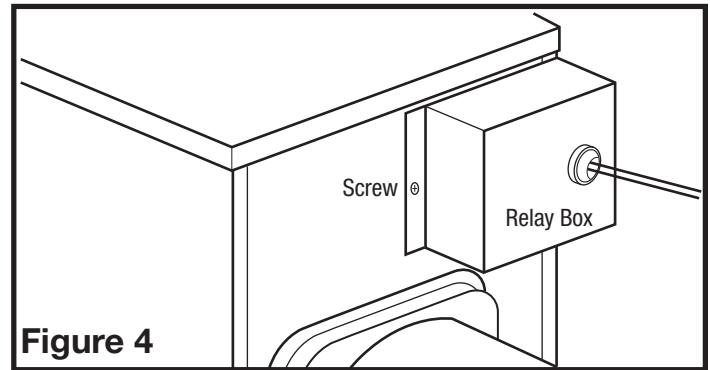
1. Install an appropriate strain relief cable clamp to the relay box. Run the 24V wiring through the strain relief into the relay box. Connect one of the 24V wires to one of the yellow wires inside the relay box and the other 24V wire to the other yellow wire inside the relay box. Use approved methods for all connections (**Figure 3**).



2. Slide the 3 pin molex connector through the bushing that was installed earlier. Connect the 3 pin molex cable to the connector where the jumper wire that was removed earlier was located (**Figure 3**).

Completing the Installation

1. Re-install the access panel of the fan. Carefully tuck all the wires into the relay box and install onto the fan using the two supplied screws (**Figure 3**).



2. Restore power and test the unit.

SAVE THESE INSTRUCTIONS



West Chester, PA / Brampton ON
www.airkinglimited.com