



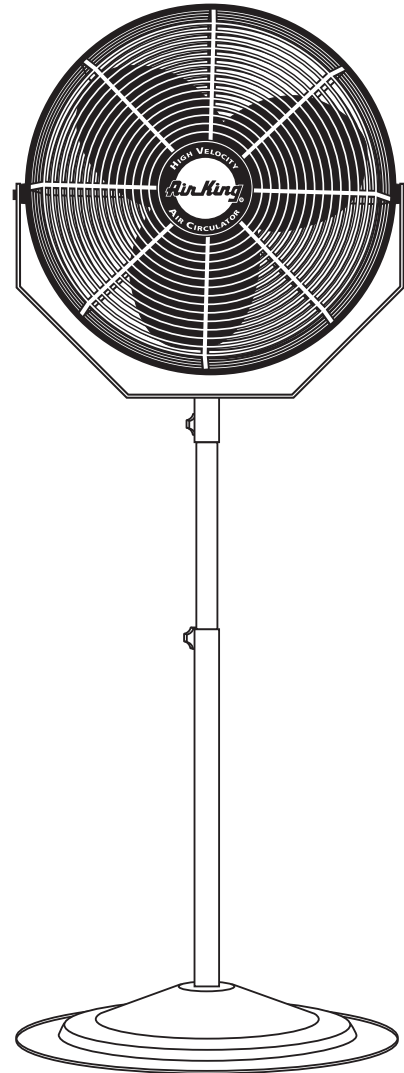
SPECIFICATIONS

9418

INDUSTRIAL FANS

18" Pedestal Fan

- **Motor**
3-speed, 1/6 HP, 120V, 1 phase, totally enclosed, ball bearing, permanently lubricated, permanent split capacitor
- **Controls**
Rear mounted rotary switch
- **Power Cord**
Black, 9', 3-conductor, SJT type
- **Coating**
Blade, Guard, and Mounts are powder coated steel
- **Compliance**
ETL, OSHA
- **Height**
Adjustable from 52" to 62"
- **Shipping Information**
UPC: 0-46013-39680-8
Shipping Weight: 31.4 lbs.
- **Product Dimensions**
24"L x 24"W x 62"H



MODEL	CFM			RPM			AMPS			WATTS			DB A		
	HIGH	MED	LOW	HIGH	MED	LOW	HIGH	MED	LOW	HIGH	MED	LOW	HIGH	MED	LOW
9418	3190	2970	2660	1500	1300	1100	1.5	1.3	1.0	180	150	125	67	58	49



U.S.: 820 Lincoln Drive
West Chester, Pennsylvania 19380-4466
Tel: (610) 692-7400 • 877-304-3785
Fax: (610) 696-8048