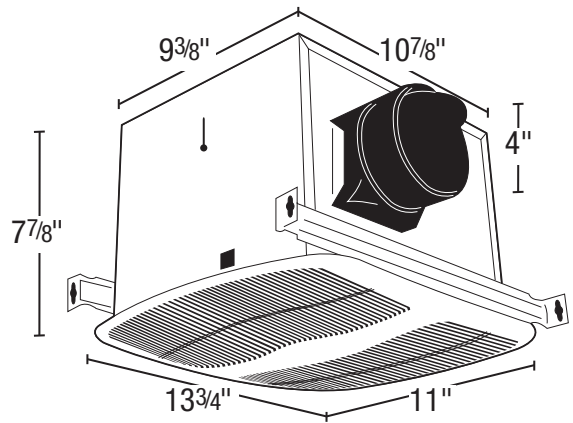




SPECIFICATIONS
AK100DH
 DUAL SPEED EXHAUST FANS

2100 HVI CERTIFIED **100 CFM/2.0 Sones @ 0.10" SP.**
83 CFM @ 0.25 SP.
50 CFM/0.4 Sones @ 0.10" SP.

- **Grill**
White, polymeric grill secured in place with torsion springs; easily removed if necessary, dimensions - 11" x 13³/₄".
- **Blower Wheel**
Balanced polymeric dual inlet blower wheel 5¹/₂" diameter x 4" depth, 30 paddles, secured in place using 8M hex nut.
- **Motor**
Enclosed 4 pole electronically balanced permanently split capacitor motor (PSC); life time lubricated. Motor bearings - ball. Suitable for continuous operation. Rated 115/120 volts, 60 Hz.
- **Fan Housing**
23 gauge galvanized steel housing, fully sealed. Dimensions: 10⁷/₈" x 9³/₈" x 7⁷/₈".
- **Humidity Sensor**
Integrated humidity sensor automatically turns fan on until the desired humidity level is reached. Humidity set points up to 80%.
- **Duct Collar**
Plastic collar for 4" duct connection, comes complete with built in non-metallic back draft damper for quiet operation.
- **Ventilating Area**
For bathrooms up to 100 sq. ft. For other rooms up to 125 sq. ft.
- **Electrical Connections**
1/2" electrical knockouts provided. Easy wiring access via either internal or external wiring compartment cover.
- **Single Pack Shipping Info**
Box Dim Box Dim: 15¹⁵/₁₆" x 14⁵/₁₆" x 9⁷/₈"
 UPC: 0-8316294088-9
 Shipping Weight: 12.3 lbs.



Acceptable for use over tub or shower when installed in a GFCI protected branch circuit.



- **Unit Mounting**
The housing will mount in ceilings with at least 8" of clearance and through drywall thickness up to 3/4", with a rough-in opening of 11¹/₈" x 9⁵/₈". The housing will mount either between 16" or 24" on center joists, using the 4 supplied housing mounting rails. The housing mounting rails can be adapted for overhead mounting (hardware not provided).

EXPANDED PERFORMANCE												
	Static Pressure (inches of w.g.)							Sones @ .1 SP	Sones @ .25 SP	Fan Speed RPM	Power Watts	Amps
	0	0.1	0.125	0.15	0.2	0.25	0.3					
	Air Flow - CFM (High Speed)	104	100	99	98	95	83					
Air Flow - CFM (Low Speed)	54	50	48	47	41	30	17	0.4	0.4	875	15.0	0.31

PROJECT					ARCHITECT					
LOCATION					ENGINEER					
CONTRACTOR					SUBMITTED BY				DATE	
FAN NUMBER	MODEL NUMBER	CFM	IN W.G.	RPM	WATTS	AMPS	SONES	QTY	OPTIONAL EQUIPMENT & REMARKS	



U.S.: 820 Lincoln Avenue
 West Chester, Pennsylvania 19380-4466
 Tel: (610) 692-7400 • 877-304-3785
 Fax: (610) 696-8048

Canada:
 Brampton, Ontario
 Tel: 905-456-2033
 Fax: (905) 456-1015