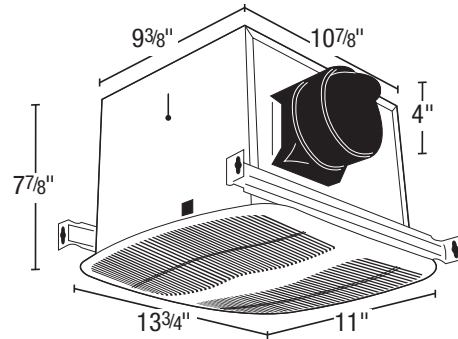




**SPECIFICATIONS**  
**AK100H**  
**EXHAUST FAN**

**HVI 2100 CERTIFIED** **100 CFM/2.0 Sones @ 0.10" SP., 26.4 Watts**  
**83 CFM @ 0.25 SP.**

- **Grill**  
 White, polymeric grill secured in place with torsion springs; easily removed if necessary, dimensions - 11" x 13<sup>3</sup>/<sub>4</sub>".
- **Blower Wheel**  
 Balanced polymeric dual inlet blower wheel 5<sup>13</sup>/<sub>32</sub>" dia. x 4" depth, 30 paddles, secured in place using 8M hex nut.
- **Motor**  
 Enclosed 4 pole electronically balanced permanently split capacitor motor (PSC); life time lubricated. Motor bearings - ball. Suitable for continuous operation. Rated 115/120 volts, 60 Hz.
- **Fan Housing**  
 23 gauge galvanized steel housing, fully sealed.  
 Overall dimensions 10<sup>7</sup>/<sub>8</sub>" x 9<sup>3</sup>/<sub>8</sub>" x 7<sup>7</sup>/<sub>8</sub>".
- **Humidity Sensor**  
 Integrated humidity sensor automatically turns fan on until the desired humidity level is reached. Humidity set points up to 80%.
- **Duct Collar**  
 Plastic collar for 4" duct connection, comes complete with built in non-metallic back draft damper for quiet operation.
- **Ventilating Area**  
 For bathrooms up to 100 sq. ft. For other rooms up to 125 sq. ft.
- **Electrical Connections**  
 1/2" electrical knockouts provided.
- **Single Pack Shipping Info**  
 Box Dim: 14<sup>1</sup>/<sub>8</sub>" x 11<sup>5</sup>/<sub>8</sub>" x 9<sup>5</sup>/<sub>8</sub>"  
 Shipping Weight: 11.5 lbs.



Acceptable for use over tub or shower when installed in a GFCI protected branch circuit.



- **Unit Mounting**  
 The housing will mount in ceilings with at least 8" of clearance and through drywall thickness up to 3/4", with a rough-in opening of 11<sup>1</sup>/<sub>8</sub>" x 9<sup>5</sup>/<sub>8</sub>". The housing will mount either between 16" or 24" on center joists, using the 4 supplied housing mounting rails. The housing mounting rails can be adapted for overhead mounting (hardware not provided).

<b>EXPANDED PERFORMANCE</b>											
	<i>Static Pressure (inches of w.g.)</i>							<i>Sones @ .1 SP</i>	<i>Fan Speed RPM</i>	<i>Power Watts</i>	<i>Amps</i>
	0	0.05	0.1	0.125	0.15	0.2	0.25				
<b>Air Flow - CFM</b>	104	102	100	99	98	95	83	2.0	1106	26.4	0.31

<b>PROJECT</b>	<b>ARCHITECT</b>
<b>LOCATION</b>	<b>ENGINEER</b>
<b>CONTRACTOR</b>	<b>SUBMITTED BY</b> <span style="float: right;"><b>DATE</b></span>

FAN NUMBER	MODEL NUMBER	CFM	IN W.G.	RPM	WATTS	AMPS	SONES	QTY	OPTIONAL EQUIPMENT & REMARKS



**Air King:** 820 Lincoln Avenue  
 West Chester, Pennsylvania 19380-4466  
 Tel: (610) 692-7400 • 877-304-3785  
 Fax: (610) 696-8048