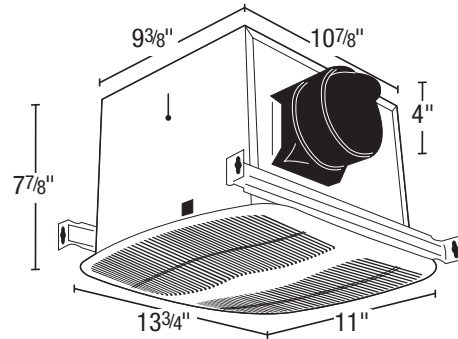




**SPECIFICATIONS**  
**AK110**  
EXHAUST FAN

**HVI 2100 CERTIFIED** **110 CFM/2.0 Sones @ 0.10" SP., 34.0 Watts**  
**94 CFM @ 0.25 SP.**

- **Grill**  
White, polymeric grill secured in place with torsion springs; easily removed if necessary, dimensions - 11" x 13<sup>3</sup>/<sub>4</sub>".
- **Blower Wheel**  
One piece polymeric centrifugal blower wheel, 5<sup>7</sup>/<sub>32</sub>" diameter, 2<sup>29</sup>/<sub>32</sub>" wide, with 30 paddles.
- **Motor**  
Heavy duty, permanently split capacitor, plug-in, 4 pole motor, life time lubrication, suitable for continuous operation. Rated 120 volts, 60 hz.
- **Fan Housing**  
23 gauge galvanized steel housing. Dimensions: 10<sup>7</sup>/<sub>8</sub>" x 9<sup>3</sup>/<sub>8</sub>" x 7<sup>7</sup>/<sub>8</sub>".
- **Duct Collar**  
Plastic collar for 4" duct connection, comes complete with built in non-metallic back draft damper for quiet operation.
- **Ventilating Area**  
For bathrooms up to 110 sq. ft. For other rooms up to 125 sq. ft.
- **Electrical Connections**  
1/2" electrical knockouts provided.
- **Single Pack Shipping Info**  
Box Dim: 14<sup>1</sup>/<sub>8</sub>" x 11<sup>5</sup>/<sub>8</sub>" x 9<sup>5</sup>/<sub>8</sub>"  
UPC: 0-8316221112-5  
Shipping Weight: 11.5 lbs.



Acceptable for use over tub or shower when installed in a GFCI protected branch circuit.



- **Unit Mounting**  
The housing will mount in ceilings with at least 8" of clearance and through drywall thickness up to 3/4", with a rough-in opening of 11<sup>1</sup>/<sub>8</sub>" x 9<sup>5</sup>/<sub>8</sub>". Rated for ceilings insulated to R-40. The housing will mount either between 16" or 24" on center joists, using the 4 supplied housing mounting rails. The housing mounting rails can be adapted for overhead mounting (hardware not provided).

EXPANDED PERFORMANCE												
	Static Pressure (inches of w.g.)							Sones @ .1 SP	Sones @ .25 SP	Fan Speed RPM	Power Watts	Amps
	0	0.05	0.1	0.125	0.15	0.2	0.25					
<b>Air Flow - CFM</b>	120	115	110	107	105	100	94	2.0	2.0	1171	34.0	0.31

<b>PROJECT</b>							<b>ARCHITECT</b>					
<b>LOCATION</b>							<b>ENGINEER</b>					
<b>CONTRACTOR</b>							<b>SUBMITTED BY</b>					<b>DATE</b>
FAN NUMBER	MODEL NUMBER	CFM	IN W.G.	RPM	WATTS	AMPS	SONES	QTY	OPTIONAL EQUIPMENT & REMARKS			



**U.S.:** 820 Lincoln Avenue  
West Chester, Pennsylvania 19380-4466  
Tel: (610) 692-7400 • 877-304-3785  
Fax: (610) 696-8048

**Canada:** 8 Edvac Drive  
Brampton, Ontario L6S 5P2  
Tel: (905) 456-2033  
Fax: (905) 456-1015