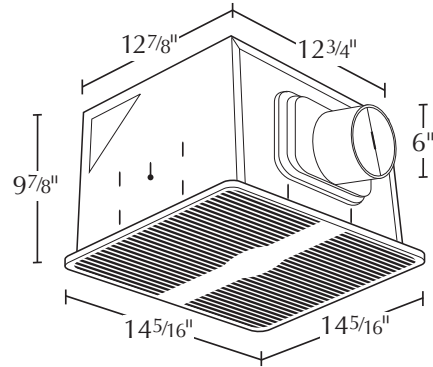




SPECIFICATIONS  
**AK300LS**  
 EXHAUST FANS


**290 CFM/3.0 Sones @ 0.10" SP., 120 Volts, 0.75 amps, 60 Hz.**

- **Grill**  
 White, polymeric grill secured in place with torsion springs; easily removed if necessary, dimensions - 14<sup>5</sup>/<sub>16</sub>" x 14<sup>5</sup>/<sub>16</sub>".
- **Blower Wheel**  
 Balanced polymeric dual inlet blower wheel 6" dia. x 5<sup>3</sup>/<sub>8</sub>" depth, 59 paddles, secured in place using 8M hex nut.
- **Motor**  
 Enclosed 4 pole electronically balanced permanently split capacitor motor (PSC); life time lubrication, suitable for continuous operation. Motor bearings - sleeve. Rated 115/120 volts, 60 Hz, 0.75 amps.
- **Fan Housing**  
 23 gauge galvanized steel housing.  
 Overall dimensions 12<sup>7</sup>/<sub>8</sub>" x 12<sup>3</sup>/<sub>4</sub>" x 9<sup>7</sup>/<sub>8</sub>".
- **Duct Collar**  
 6" round, zinc plated metal collar adapter. 6" spring loaded aluminum backdraft damper.
- **Ventilating Area**  
 For bathrooms up to 290 sq. ft. For other rooms up to 360 sq. ft.
- **Electrical Connections**  
 1/2" electrical knockouts provided. Easy wiring access via either internal or external wiring compartment cover.
- **Single Pack Shipping Info**  
 Box Dim: 20" x 15<sup>15</sup>/<sub>16</sub>" x 11<sup>3</sup>/<sub>8</sub>"  
 UPC: 0-8316223002-7  
 Shipping Weight: 17 lbs.



Acceptable for use over tub or shower when installed in a GFCI protected branch circuit.



- **Unit Mounting**  
 The housing will mount through drywall thickness up to 3/4", with a rough-in opening of 13<sup>1</sup>/<sub>8</sub>" x 13". Rated for ceilings insulated to R-40. The housing will mount either between 16" or 24" on center joists, using the 2 supplied housing mounting brackets. The housing mounting brackets can be adapted for overhead mounting (hardware not provided). The unit is provided with an optionally installed ceiling flange to ensure proper building infiltration rates are maintained and that no air leaks occur between the fan housing and ceiling cutout.

EXPANDED PERFORMANCE												
	Static Pressure (inches of w.g.)								Sones @ .1 SP	Sones @ .25 SP	Fan Speed RPM	Power Watts
	0	0.05	0.1	0.15	0.2	0.25	0.375	0.5				
<b>Air Flow - CFM</b>	301	295	290	278	278	271	247	208	3.0	3.0	1166	81

<b>PROJECT</b>							<b>ARCHITECT</b>					
<b>LOCATION</b>							<b>ENGINEER</b>					
<b>CONTRACTOR</b>							<b>SUBMITTED BY</b>					<b>DATE</b>
FAN NUMBER	MODEL NUMBER	CFM	IN W.G.	RPM	WATTS	AMPS	SONES	QTY	OPTIONAL EQUIPMENT & REMARKS			



**U.S.:** 820 Lincoln Avenue  
 West Chester, Pennsylvania 19380-4466  
 Tel: (610) 692-7400 • 877-304-3785  
 Fax: (610) 696-8048

**Canada:** 8 Edvac Drive  
 Brampton, Ontario L6S 5P2  
 Tel: (905) 456-2033  
 Fax: (905) 456-1015