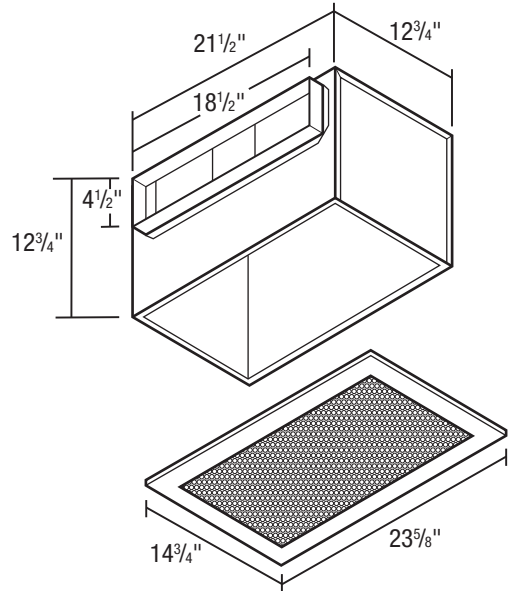




SPECIFICATIONS
AK400
EXHAUST FAN

2100 HVI CERTIFIED **420 CFM/1.5 Sones @ 0.10" SP.**
381 CFM @ 0.25 SP.

- **Grill**
White, metal grill secured in place with 4 screws; easily removed if necessary, dimensions - 23³/₈" x 14³/₄".
- **Blower Wheel**
Balanced polymeric dual inlet blower wheel secured in place using a hex nut.
- **Motor**
High efficiency, permanent split capacitor motor (PSC); life time lubrication, suitable for continuous operation. Rated 115/120 volts, 60 Hz.
- **Fan Housing**
22 gauge galvanized steel housing. Overall dimensions: 12³/₄" x 12³/₄" x 21¹/₂". Includes 1/2" acoustic insulation.
- **Duct Collar**
4¹/₂" x 18¹/₂" duct connector with 2 aluminum backdraft dampers.
- **Electrical Connections**
1/2" electrical knockouts provided. Easy wiring access via either top or side connection.
- **Single Pack Shipping Info**
Shipping Weight: 34 lbs.
- **Unit Mounting**
24" on center joists, using the 4 supplied housing mounting angles. The housing mounting angles can be adapted for vertical or right angle discharge mounting (hardware not provided).



EXPANDED PERFORMANCE											
	Static Pressure (inches of w.g.)							Sones @ .1 SP	Fan Speed RPM	Power Watts	Amps
	0	0.05	0.1	0.2	0.25	0.375	0.5				
Air Flow - CFM	440	430	420	397	381	341	264	1.5	978	118	1.1

PROJECT							ARCHITECT				
LOCATION							ENGINEER				
CONTRACTOR							SUBMITTED BY			DATE	
FAN NUMBER	MODEL NUMBER	CFM	IN W.G.	RPM	WATTS	AMPS	SONES	QTY	OPTIONAL EQUIPMENT & REMARKS		



Air King: 820 Lincoln Avenue
West Chester, Pennsylvania 19380-4466
Tel: (610) 692-7400 • 877-304-3785
Fax: (610) 696-8048

Canada:
Brampton, Ontario
Tel: 905-456-2033
Fax: (905) 456-1015