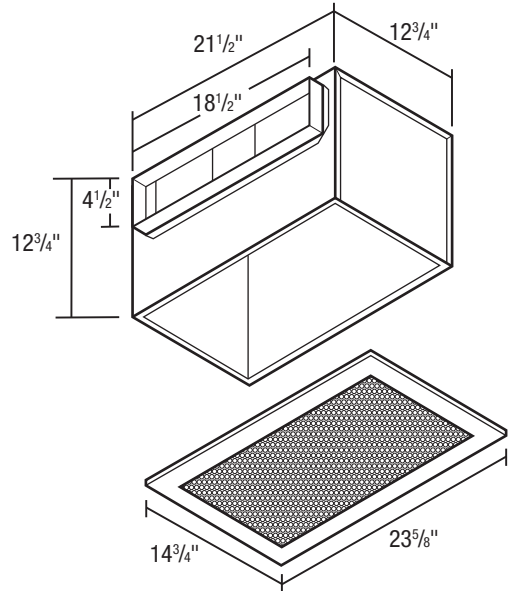




**SPECIFICATIONS**  
**AK500**  
EXHAUST FAN

**2100 HVI CERTIFIED**    **520 CFM/2.5 Sones @ 0.10" SP.**

- **Grill**  
White, metal grill secured in place with 4 screws; easily removed if necessary, dimensions - 23<sup>5</sup>/<sub>8</sub>" x 14<sup>3</sup>/<sub>4</sub>".
- **Blower Wheel**  
Balanced polymeric dual inlet blower wheel secured in place using a hex nut.
- **Motor**  
High efficiency, permanent split capacitor motor (PSC); life time lubrication, suitable for continuous operation. Rated 115/120 volts, 60 Hz.
- **Fan Housing**  
22 gauge galvanized steel housing. Overall dimensions: 12<sup>3</sup>/<sub>4</sub>" x 12<sup>3</sup>/<sub>4</sub>" x 21<sup>1</sup>/<sub>2</sub>". Includes 1/2" acoustic insulation.
- **Duct Collar**  
4<sup>1</sup>/<sub>2</sub>" x 18<sup>1</sup>/<sub>2</sub>" duct connector with 2 aluminum backdraft dampers.
- **Electrical Connections**  
1/2" electrical knockouts provided. Easy wiring access via either top or side connection.
- **Single Pack Shipping Info**  
Shipping Weight: 34 lbs.
- **Unit Mounting**  
24" on center joists, using the 4 supplied housing mounting angles. The housing mounting angles can be adapted for vertical or right angle discharge mounting (hardware not provided).



<b>EXPANDED PERFORMANCE</b>											
	<i>Static Pressure (inches of w.g.)</i>							<i>Sones @ .1 SP</i>	<i>Fan Speed RPM</i>	<i>Maximum Fan Watts</i>	<i>Amps</i>
	0	0.05	0.1	0.2	0.25	0.375	0.5				
<b>Air Flow - CFM</b>	548	534	520	493	478	434	366	2.5	1056	153	1.4

<b>PROJECT</b>							<b>ARCHITECT</b>				
<b>LOCATION</b>							<b>ENGINEER</b>				
<b>CONTRACTOR</b>							<b>SUBMITTED BY</b>			<b>DATE</b>	
FAN NUMBER	MODEL NUMBER	CFM	IN W.G.	RPM	WATTS	AMPS	SONES	QTY	OPTIONAL EQUIPMENT & REMARKS		



**Air King:** 820 Lincoln Avenue  
West Chester, Pennsylvania 19380-4466  
Tel: (610) 692-7400 • 877-304-3785  
Fax: (610) 696-8048

**Canada:**  
Brampton, Ontario  
Tel: 905-456-2033  
Fax: (905) 456-1015