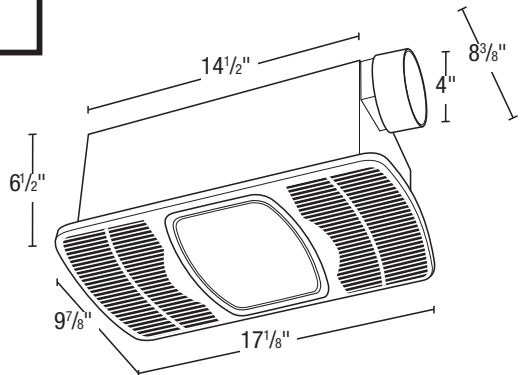




**SPECIFICATIONS**  
**AK55L**  
**HEATER WITH EXHAUST FAN**

**2100 HVI CERTIFIED**  
**70 CFM/5.0 Sones @ 0.10" SP.**



- Grill**  
 White, polymeric grill (flame retardant ABS UL rated 94-5V) secured in place using 2 hex nuts that can be easily removed if necessary, dimensions - 17<sup>1</sup>/<sub>8</sub>" x 9<sup>7</sup>/<sub>8</sub>".
- Light Lens**  
 Moonstone glass lens, installed in a flip down lens holder. Secured in place using integral tabs.
- Blower Wheel**  
 Heater blower wheel - one piece metal electronically balanced, 3<sup>1</sup>/<sub>16</sub>" x 2" with 28 fins.  
  
 Ventilation blower wheel - one piece polymeric electronically balanced, 4<sup>5</sup>/<sub>8</sub>" x 1" with 10 fins.
- Motors**  
 Heater motor - Heavy duty, plug in 2 pole motor. Life time lubrication, thermally protected.  
 Rated 120 volts, 60 hz.  
  
 Ventilation motor - Heavy duty, plug in 2 pole motor. Life time lubrication, thermally protected.  
 Rated 120 volts, 60 hz.
- Heater Housing**  
 23 gauge galvanized steel housing. Dimensions 14<sup>1</sup>/<sub>2</sub>" x 8<sup>3</sup>/<sub>8</sub>" x 6<sup>1</sup>/<sub>2</sub>".
- Heating Element**  
 Ceramic heating element bonded to large heat transfer surface allows heating at very low operating temperature. Self regulating design provides 1,350 Watts – 4,600 Btu.

- Duct**  
 4" round, zinc plated metal collar adapter with aluminum backdraft damper.
- Ventilating Area**  
 For bathrooms up to 70 sq. ft. For other rooms up to 85 sq. ft.
- Lamping Information**  
 Up to 100 watt incandescent capacity, type A lamp required.
- Unit Mounting**  
 Designed for ceilings insulated to R-40. Designed to mount in ceilings with at least 7<sup>1</sup>/<sub>2</sub>" of clearance. The unit will mount between joists (with 16" centers) or butted up against a joist. The housing will mount through drywall thickness up to 3/4", with a rough in opening of 14<sup>3</sup>/<sub>4</sub>" x 8<sup>5</sup>/<sub>8</sub>".
- Single Pack Shipping Info**  
 Box Dim: 21<sup>1</sup>/<sub>8</sub>" x 11<sup>1</sup>/<sub>4</sub>" x 9<sup>3</sup>/<sub>4</sub>"  
 UPC: 0-8316290100-2  
 Shipping Weight: 16.09 lbs.

**EXPANDED PERFORMANCE**

	Static Pressure (inches of w.g.)							Sones @ .1 SP	Fan Speed RPM	Maximum Fan Watts	Amps
	0	0.05	0.1	0.15	0.2	0.25	0.3				
<b>Air Flow - CFM</b>	76	73	70	67	64	61	57	5.0	2575	54	11.2

<b>PROJECT</b>							<b>ARCHITECT</b>				
<b>LOCATION</b>							<b>ENGINEER</b>				
<b>CONTRACTOR</b>							<b>SUBMITTED BY</b>			<b>DATE</b>	
FAN NUMBER	MODEL NUMBER	CFM	IN W.G.	RPM	WATTS	AMPS	SONES	QTY	OPTIONAL EQUIPMENT & REMARKS		



**Air King:** 820 Lincoln Avenue  
 West Chester, Pennsylvania 19380-4466  
 Tel: (610) 692-7400 • 877-304-3785  
 Fax: (610) 696-8048

**Canada:**  
 Brampton, Ontario  
 Tel: 905-456-2033  
 Fax: (905) 456-1015