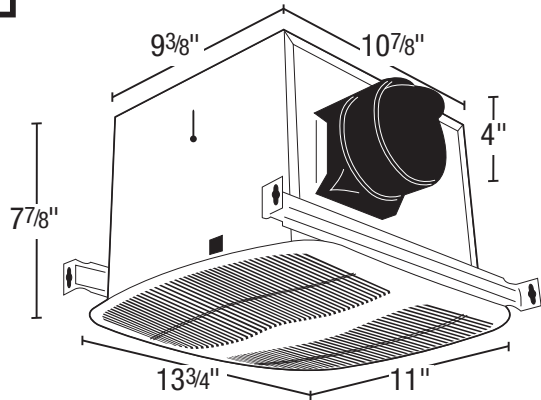




SPECIFICATIONS
AK80H
EXHAUST FAN

HVI 2100 CERTIFIED
80 CFM/1.0 Sones @ 0.10" SP.
68 CFM @ 0.25 SP.

- Grill**
 White, polymeric grill secured in place with torsion springs; easily removed if necessary, dimensions - 11" x 13³/₄".
- Blower Wheel**
 One piece polymeric centrifugal blower wheel, 5⁷/₃₂" diameter, 2²⁹/₃₂" wide, with 30 paddles.
- Motor**
 Heavy duty, permanently split capacitor, plug-in, 4 pole motor, life time lubrication, suitable for continuous operation. Rated 120 volts, 60 hz.
- Fan Housing**
 23 gauge galvanized steel housing.
 Dimensions: 10⁷/₈" x 9⁹/₈" x 7⁷/₈".
- Humidity Sensor**
 Integrated humidity sensor automatically turns fan on until the desired humidity level is reached. Humidity set points up to 80%.
- Duct Collar**
 Plastic collar for 4" duct connection, comes complete with built in non-metallic back draft damper for quiet operation.
- Ventilating Area**
 For bathrooms up to 80 sq. ft. For other rooms up to 100 sq. ft.
- Electrical Connections**
 1/2" electrical knockouts provided. Easy wiring access via either internal or external wiring compartment cover.
- Single Pack Shipping Info**
 Box Dim Box Dim: 15¹⁵/₁₆" x 14⁵/₁₆" x 9⁷/₈"
 UPC: 0-8316294033-9
 Shipping Weight: 12.3 lbs.



Acceptable for use over tub or shower when installed in a GFCI protected branch circuit.



- Unit Mounting**
 The housing will mount in ceilings with at least 8" of clearance and through drywall thickness up to 3/4", with a rough-in opening of 11¹/₈" x 9⁹/₈". The housing will mount either between 16" or 24" on center joists, using the 4 supplied housing mounting rails. The housing mounting rails can be adapted for overhead mounting (hardware not provided).

EXPANDED PERFORMANCE											
	Static Pressure (inches of w.g.)							Sones @ .1 SP	Fan Speed RPM	Maximum Fan Watts	Amps
	0	0.05	0.1	0.125	0.15	0.2	0.25				
Air Flow - CFM	87	83	80	78	77	72	68	1.0	975	28.1	0.3

PROJECT							ARCHITECT				
LOCATION							ENGINEER				
CONTRACTOR							SUBMITTED BY			DATE	
FAN NUMBER	MODEL NUMBER	CFM	IN W.G.	RPM	WATTS	AMPS	SONES	QTY	OPTIONAL EQUIPMENT & REMARKS		



U.S.: 820 Lincoln Avenue
 West Chester, Pennsylvania 19380-4466
 Tel: (610) 692-7400 • 877-304-3785
 Fax: (610) 696-8048

Canada:
 Brampton, Ontario
 Tel: 800-250-8767
 Fax: (905) 456-1015