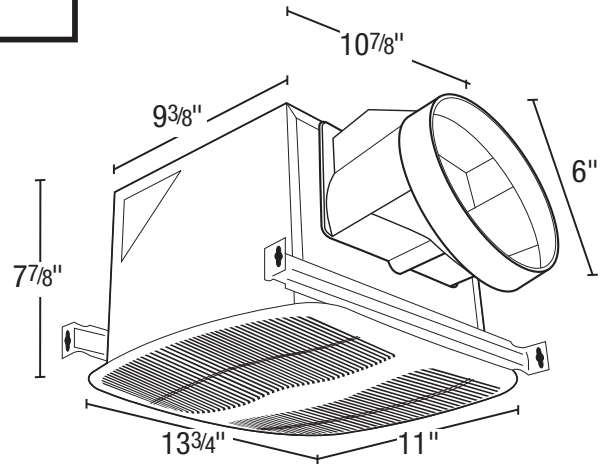




SPECIFICATIONS  
**AK80LS6**  
 EXHAUST FAN

**HVI** 2100 CERTIFIED  
**80 CFM/0.5 Sones @ 0.10" SP.**  
**57 CFM @ 0.25 SP.**

- Grill**  
 White, polymeric grill secured in place with torsion springs; easily removed if necessary, dimensions - 11" x 13<sup>3</sup>/<sub>4</sub>".
- Blower Wheel**  
 Balanced polymeric dual inlet blower wheel 5<sup>13</sup>/<sub>32</sub>" dia. x 4" depth, 30 paddles, secured in place using 8M hex nut.
- Motor**  
 Enclosed 4 pole electronically balanced permanently split capacitor motor (PSC); life time lubrication, suitable for continuous operation. Motor bearings - ball. Rated 115/120 volts, 60 Hz.
- Fan Housing**  
 23 gauge galvanized steel housing. Overall dimensions 10<sup>7</sup>/<sub>8</sub>" x 9<sup>3</sup>/<sub>8</sub>" x 7<sup>7</sup>/<sub>8</sub>".
- Duct Collar**  
 Plastic collar for 6" duct connection, comes complete with built in non-metallic back draft damper for quiet operation.
- Ventilating Area**  
 For bathrooms up to 80 sq. ft. For other rooms up to 105 sq. ft.
- Electrical Connections**  
 1/2" electrical knockouts provided. Easy wiring access via either internal or external wiring compartment cover.
- Single Pack Shipping Info**  
 Box Dim: 14<sup>1</sup>/<sub>8</sub>" x 11<sup>5</sup>/<sub>8</sub>" x 9<sup>5</sup>/<sub>8</sub>"  
 UPC: 0-8316294101-5  
 Shipping Weight: 11.5 lbs.



Acceptable for use over tub or shower when installed in a GFCI protected branch circuit.



- Unit Mounting**  
 The housing will mount in ceilings with at least 8" of clearance and through drywall thickness up to 3/4", with a rough-in opening of 11<sup>1</sup>/<sub>8</sub>" x 9<sup>5</sup>/<sub>8</sub>". The housing will mount either between 16" or 24" on center joists, using the 4 supplied housing mounting rails. The housing mounting rails can be adapted for overhead mounting (hardware not provided).

EXPANDED PERFORMANCE											
	Static Pressure (inches of w.g.)							Sones @ .1 SP	Fan Speed RPM	Maximum Fan Watts	Amps
	0	0.05	0.1	0.2	0.25	0.3	0.35				
<b>Air Flow - CFM</b>	91	86	80	67	57	44	22	0.5	860	25.2	0.3

<b>PROJECT</b>							<b>ARCHITECT</b>				
<b>LOCATION</b>							<b>ENGINEER</b>				
<b>CONTRACTOR</b>							<b>SUBMITTED BY</b>			<b>DATE</b>	
FAN NUMBER	MODEL NUMBER	CFM	IN W.G.	RPM	WATTS	AMPS	SONES	QTY	OPTIONAL EQUIPMENT & REMARKS		



**Air King:** 820 Lincoln Avenue  
 West Chester, Pennsylvania 19380-4466  
 Tel: (610) 692-7400 • 877-304-3785  
 Fax: (610) 696-8048