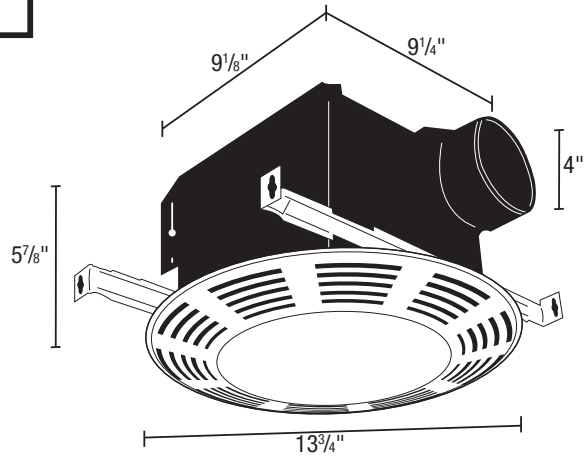




**SPECIFICATIONS**  
**AK864L**  
EXHAUST FAN WITH LIGHT

**2100 HVI CERTIFIED** 100 CFM/3.5 Sones @ 0.10" SP.

- **Grill**  
White, round polymeric grill secured in place with torsion springs; easily removed if necessary, dimensions - 13<sup>3</sup>/<sub>4</sub>" dia.
- **Light Lens**  
Moonstone glass lens, secured in position using 5 philip's head screws.
- **Light Housing**  
Heavy gauge cold rolled steel c/w powder coat finish; locks in place on the housing using a wing nut.
- **Blower Wheel**  
One piece polymeric wheel, 5<sup>1</sup>/<sub>8</sub>" diameter, 2<sup>3</sup>/<sub>8</sub>" wide, with 48 fins.
- **Motor**  
Heavy duty, permanently split capacitor, plug-in, 4 pole motor, life time lubrication, suitable for continuous operation. Rated 120 volts, 60 hz., 0.8 amps.
- **Fan Housing**  
23 ga. painted steel housing, dimensions 9<sup>1</sup>/<sub>4</sub>" x 9<sup>1</sup>/<sub>8</sub>" x 5<sup>7</sup>/<sub>8</sub>", double metal thickness mounting tabs.
- **Duct Collar**  
Plastic collar for 4" duct connection, comes complete with built in non-metallic back draft damper for quiet operation.
- **Ventilating Area**  
For bathrooms up to 100 sq. ft. for other rooms up to 125 sq. ft.
- **Lighting**  
26W medium base fluorescent lamp (100W type A19 incandescent bulb can also be used) (lamp not included)



Acceptable for use over tub or shower when installed in a GFCI protected branch circuit.

- **Unit Mounting**  
Rated Type IC for ceilings insulated to R-40. Designed to mount in ceilings with at least 8" of clearance. The unit has two mounting options 1. directly to the joist using mounting tabs. 2. centered between joists (with 16" centers) using hanging brackets. The housing will mount through drywall thickness up to 3/4", with a rough-in opening of 12<sup>3</sup>/<sub>4</sub>" diameter.
- **Single Pack Shipping Info**  
Box Dim Box Dim: 15" x 15" x 10"  
Shipping Weight: 11 lbs.

EXPANDED PERFORMANCE											
	Static Pressure (inches of w.g.)							Sones @ .1 SP	Fan Speed RPM	Maximum Fan Watts	Amps
	0	0.05	0.1	0.15	0.2	0.25	0.3				
Air Flow - CFM	110	105	100	99	95	90	82	3.5	2250	70	0.8

<b>PROJECT</b>				<b>ARCHITECT</b>					
<b>LOCATION</b>				<b>ENGINEER</b>					
<b>CONTRACTOR</b>				<b>SUBMITTED BY</b>			<b>DATE</b>		
FAN NUMBER	MODEL NUMBER	CFM	IN W.G.	RPM	WATTS	AMPS	SONES	QTY	OPTIONAL EQUIPMENT & REMARKS



**Air King:** 820 Lincoln Avenue  
West Chester, Pennsylvania 19380-4466  
Tel: (610) 692-7400 • 877-304-3785  
Fax: (610) 696-8048

**Canada:**  
Brampton, Ontario  
Tel: 905-456-2033  
Fax: (905) 456-1015