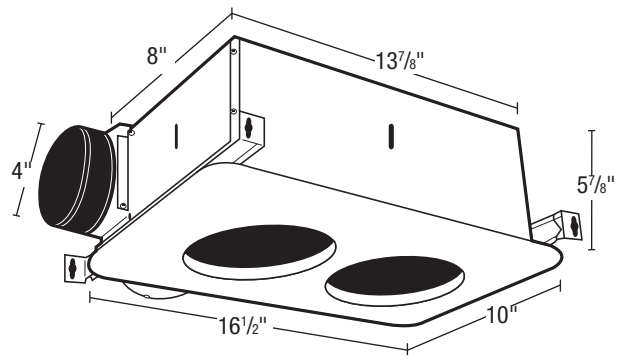




SPECIFICATIONS
AK927
 HEATER WITH EXHAUST FAN

2100 HVI CERTIFIED **70 CFM/3.5 Sones @ 0.10" SP.**

- **Grill**
 White, polymeric grill (flame retardant ABS UL rated 94-5V) secured in place with torsion springs; easily removed if necessary, dimensions - 16 1/2" x 10".
- **Blower Wheel**
 One piece polymeric wheel, 3 7/8" diameter, 2 1/2" wide with 21 fins.
- **Motor**
 Heavy duty, plug in 2 pole motor. Life time lubrication, thermally protected. Rated 120 volts, 60 hz.
- **Fan Housing**
 23 gauge galvanized steel housing. Dimensions 13 7/8" x 8" x 5 7/8".
- **Duct Collar**
 Plastic collar for 4" duct connection, comes complete with built in non-metallic back draft damper for quiet operation.
- **Ventilating Area**
 For bathrooms up to 70 sq. ft.
- **Lamping Information**
 2 - 250 watt maximum, type R40 bulb, medium base, 850 Btu. with shaped aluminum socket housing with porcelain socket. (lamp not included)



- **Unit Mounting**
 The housing will mount in ceilings with at least 6" of clearance and through drywall thickness up to 3/4", with a rough-in opening of 13 7/8" x 8". Rated for ceilings insulated to R-40. The housing will mount between 16" on center joists, using the 4 supplied housing mounting rails.
- **Single Pack Shipping Info**
 Box Dim: 18" x 11 1/2" x 7 3/4"
 UPC: 0-8316227011-5
 Shipping Weight: 9 lbs.

EXPANDED PERFORMANCE

	Static Pressure (inches of w.g.)							Sones @ .1 SP	Fan Speed RPM	Maximum Fan Watts	Amps
	0	0.05	0.1	0.15	0.2	0.25	0.3				
Air Flow - CFM			70					3.5			4.6

PROJECT							ARCHITECT				
LOCATION							ENGINEER				
CONTRACTOR							SUBMITTED BY			DATE	
FAN NUMBER	MODEL NUMBER	CFM	IN W.G.	RPM	WATTS	AMPS	SONES	QTY	OPTIONAL EQUIPMENT & REMARKS		



Air King: 820 Lincoln Avenue
 West Chester, Pennsylvania 19380-4466
 Tel: (610) 692-7400 • 877-304-3785
 Fax: (610) 696-8048

Canada:
 Brampton, Ontario
 Tel: 905-456-2033
 Fax: (905) 456-1015