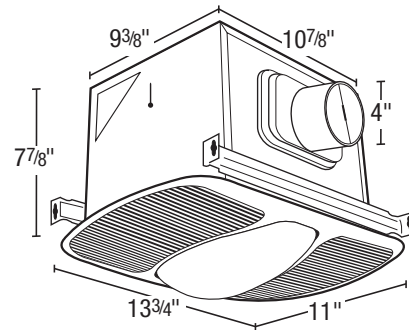




SPECIFICATIONS
AKF50LS
 EXHAUST FAN WITH LIGHT

2100 HVI CERTIFIED **50 CFM/0.3 Sones @ 0.10" SP, 26.6 Watts**
33 CFM @ 0.25 SP.

- **Grill**
 White, polymeric grill secured in place with torsion springs; easily removed if necessary, dimensions - 11" x 13³/₄". Moonstone glass lens.
- **Blower Wheel**
 Balanced polymeric dual inlet blower wheel 5¹/₄" dia. x 2⁷/₈" depth, 30 paddles, secured in place via press fit.
- **Motor**
 Enclosed 4 pole electronically balanced permanently split capacitor motor (PSC); life time lubricated, suitable for continuous operation. Motor bearings - ball. Rated 115/120 volts, 60 Hz.
- **Fan Housing**
 23 gauge galvanized steel housing.
 Overall dimensions 10⁷/₈" x 9³/₈" x 7⁷/₈".
- **Duct Collar**
 4" round, zinc plated metal collar adapter. 4" spring loaded aluminum backdraft damper.
- **Ventilating Area**
 For bathrooms up to 50 sq. ft. For other rooms up to 60 sq. ft.
- **Electrical Connections**
 1/2" electrical knockouts provided. Easy wiring access via either internal or external wiring compartment cover.
- **Lighting**
 Electronic Quick Start Ballast – rated 26 Watt – Use Triple 4 pin PL lamp. Maximum 26 Watt.



Acceptable for use over tub or shower when installed in a GFCI protected branch circuit.



- **Unit Mounting**
 The housing will mount in ceilings with at least 8" of clearance and through drywall thickness up to 3/4", with a rough-in opening of 11¹/₈" x 9⁵/₈". Rated for ceilings insulated to R-40. The housing will mount either between 16" or 24" on center joists, using the 4 supplied housing mounting rails. The housing mounting rails can be adapted for overhead mounting (hardware not provided).
- **Single Pack Shipping Info**
 Box Dim Box Dim: 14¹/₈" x 11⁵/₈" x 12"
 UPC: 0-8316294044-5
 Shipping Weight: 11.5 lbs.

EXPANDED PERFORMANCE												
	Static Pressure (inches of w.g.)							Sones @ .1 SP	Sones @ .25 SP	Fan Speed RPM	Power Watts	Amps
	0	0.05	0.1	0.125	0.15	0.2	0.25					
Air Flow - CFM	53	51	50	49	48	43	33	0.3	0.3	911	26.6	0.60

PROJECT							ARCHITECT					
LOCATION							ENGINEER					
CONTRACTOR							SUBMITTED BY				DATE	
FAN NUMBER	MODEL NUMBER	CFM	IN W.G.	RPM	WATTS	AMPS	SONES	QTY	OPTIONAL EQUIPMENT & REMARKS			



U.S.: 820 Lincoln Avenue
 West Chester, Pennsylvania 19380-4466
 Tel: (610) 692-7400 • 877-304-3785
 Fax: (610) 696-8048

Canada: 8 Edvac Drive
 Brampton, Ontario L6S 5P2
 Tel: (905) 456-2033
 Fax: (905) 456-1015