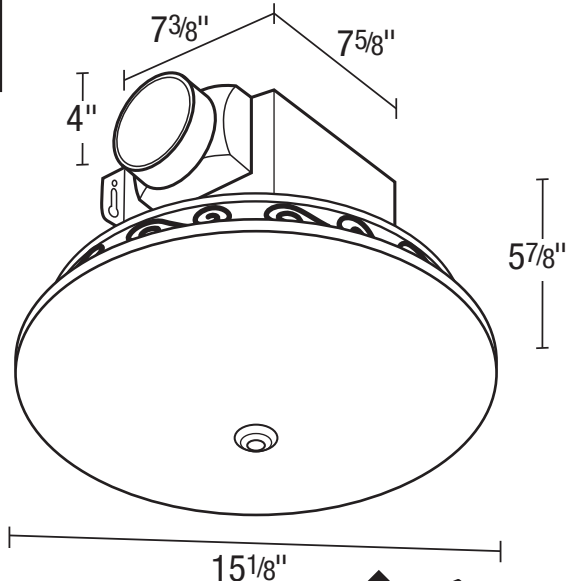




**SPECIFICATIONS**  
**AKLC70DRSB**  
 EXHAUST FAN WITH LIGHT

**HVI** 2100 CERTIFIED  
**70 CFM/2.5 Sones @ 0.10" SP.**



- **Grill**  
Black Finish: 15 1/8" diameter.
- **Light Lens**  
Frosted glass light lens.
- **Light Housing**  
Heavy gauge cold rolled steel c/w baked enamel finish; locks in place on the grill via two integral tabs.
- **Blower Wheel**  
One piece polymeric wheel, 4 1/2" diameter, 1" wide, with 10 fins.
- **Motor**  
Single coil plug-in, two pole motor, life time lubrication, thermally protected. Rated 120 volts, 60 hz., 1.6 amps.
- **Fan Housing**  
23 ga. Galvanized metal housing, dimensions 7 3/8" x 7 5/8" x 5 7/8", double metal thickness mounting tabs.
- **Duct Collar**  
Plastic collar for 4" duct connection, comes complete with built in non-metallic back draft damper for quiet operation.
- **Ventilating Area**  
For bathrooms up to 65 sq. ft. for other rooms up to 85 sq. ft.
- **Lighting**  
3 - 26W medium base fluorescent lamps (2-60W type A15 incandescent bulbs can also be used) (lamps not included)

- **Unit Mounting**  
Rated Type IC for ceilings insulated to R-40. Designed to mount in ceilings with at least 6" of clearance. The unit will mount directly to the joist with a rough in opening of 7 5/8" x 7 7/8". The housing will mount through drywall thickness up to 3/4".
- **Single Pack Shipping Info**  
Box Dim: 11 1/2" x 13 1/4" x 9 1/2"

**EXPANDED PERFORMANCE**

|                       | Static Pressure (inches of w.g.) |      |     |       |      |     |      | Sones @ .1 SP | Fan Speed RPM | Power Watts | Amps |
|-----------------------|----------------------------------|------|-----|-------|------|-----|------|---------------|---------------|-------------|------|
|                       | 0                                | 0.05 | 0.1 | 0.125 | 0.15 | 0.2 | 0.25 |               |               |             |      |
| <b>Air Flow - CFM</b> | 81                               | 75   | 70  | 67    | 64   | 58  | 50   | 2.5           | 1375          | 33          | 1.60 |

| <b>PROJECT</b>    |              |     |         | <b>ARCHITECT</b>    |       |      |             |     |                              |
|-------------------|--------------|-----|---------|---------------------|-------|------|-------------|-----|------------------------------|
| <b>LOCATION</b>   |              |     |         | <b>ENGINEER</b>     |       |      |             |     |                              |
| <b>CONTRACTOR</b> |              |     |         | <b>SUBMITTED BY</b> |       |      | <b>DATE</b> |     |                              |
| FAN NUMBER        | MODEL NUMBER | CFM | IN W.G. | RPM                 | WATTS | AMPS | SONES       | QTY | OPTIONAL EQUIPMENT & REMARKS |
|                   |              |     |         |                     |       |      |             |     |                              |



**U.S.:** 820 Lincoln Avenue  
 West Chester, Pennsylvania 19380-4466  
 Tel: (610) 692-7400 • 877-304-3785  
 Fax: (610) 696-8048

**Canada:**  
 Brampton, Ontario  
 Tel: 800-250-8767  
 Fax: (905) 456-1015