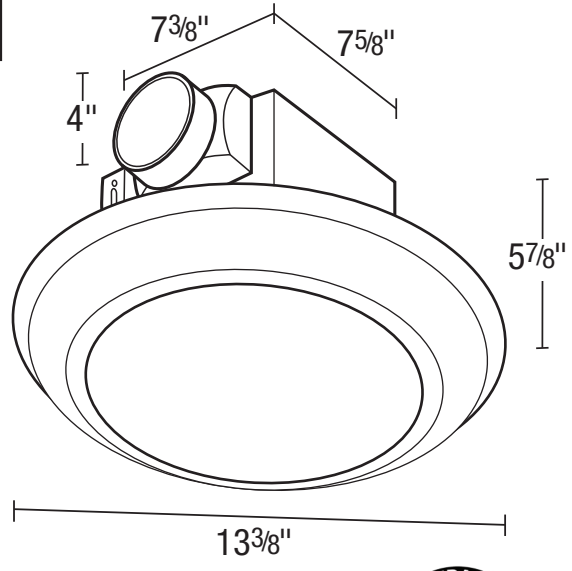




SPECIFICATIONS
AKLC70RCB
 EXHAUST FAN WITH LIGHT

HVI 2100 CERTIFIED **70 CFM/2.5 Sones @ 0.10" SP.**



- **Grill**
Nickel Finish: 13³/₈" diameter. Also includes brass accent ring.
- **Light Lens**
Frosted, high impact polycarbonate light lens.
- **Light Housing**
Heavy gauge cold rolled steel c/w baked enamel finish; locks in place on the grill via two integral tabs.
- **Blower Wheel**
One piece polymeric wheel, 4¹/₂" diameter, 1" wide, with 10 fins.
- **Motor**
Single coil plug-in, two pole motor, life time lubrication, thermally protected. Rated 120 volts, 60 Hz., 1.6 amps.
- **Fan Housing**
23 ga. Galvanized metal housing, dimensions 7³/₈" x 7⁵/₈" x 5⁷/₈", double metal thickness mounting tabs.
- **Duct Collar**
Plastic collar for 4" duct connection, comes complete with built in non-metallic back draft damper for quiet operation.
- **Ventilating Area**
For bathrooms up to 65 sq. ft. for other rooms up to 85 sq. ft.
- **Lighting**
18W medium base fluorescent lamp (60W type A19 incandescent bulb can also be used) (lamp not included)

- **Unit Mounting**
Rated Type IC for ceilings insulated to R-40. Designed to mount in ceilings with at least 6" of clearance. The unit will mount directly to the joist with a rough in opening of 7⁵/₈" x 7⁷/₈". The housing will mount through drywall thickness up to ³/₄".
- **Single Pack Shipping Info**
Box Dim: 11 1/2" x 13 1/4" x 9 1/2"

EXPANDED PERFORMANCE

	Static Pressure (inches of w.g.)							Sones @ .1 SP	Fan Speed RPM	Power Watts	Amps
	0	0.05	0.1	0.125	0.15	0.2	0.25				
Air Flow - CFM	81	75	70	67	64	58	50	2.5	1375	33	1.60

PROJECT	ARCHITECT
LOCATION	ENGINEER
CONTRACTOR	SUBMITTED BY DATE

FAN NUMBER	MODEL NUMBER	CFM	IN W.G.	RPM	WATTS	AMPS	SONES	QTY	OPTIONAL EQUIPMENT & REMARKS



U.S.: 820 Lincoln Avenue
 West Chester, Pennsylvania 19380-4466
 Tel: (610) 692-7400 • 877-304-3785
 Fax: (610) 696-8048

Canada: 8 Edvac Drive
 Brampton, Ontario L6S 5P2
 Tel: (905) 456-2033
 Fax: (905) 456-1015