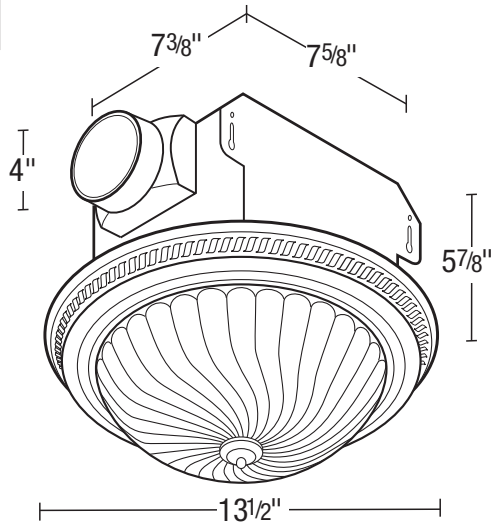




SPECIFICATIONS
AKLC
EXHAUST FAN WITH LIGHT

HVI 2100
CERTIFIED **70 CFM/2.5 Sones @ 0.10" SP.**

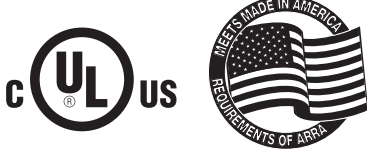
- Grill**
 AKLC701 - Oil Rubbed Bronze Finish: 13 1/2" diameter.
 AKLC702 - Nickel Finish: 13 1/2" diameter.
 AKLC703 - White Finish: 13 1/2" diameter.
- Light Lens**
 Ribbed frosted glass light lens.
- Light Housing**
 Heavy gauge cold rolled steel c/w baked enamel finish; locks in place on the grill via two integral tabs.
- Blower Wheel**
 One piece polymeric wheel, 4 1/2" diameter, 1" wide, with 10 fins.
- Motor**
 Single coil plug-in, two pole motor, life time lubrication, thermally protected. Rated 120 volts, 60 Hz., 1.6 amps.
- Fan Housing**
 23 ga. Galvanized metal housing, dimensions 7 3/8" x 7 5/8" x 5 7/8", double metal thickness mounting tabs.
- Duct Collar**
 Plastic collar for 4" duct connection, comes complete with built in non-metallic back draft damper for quiet operation.
- Ventilating Area**
 For bathrooms up to 65 sq. ft. for other rooms up to 85 sq. ft.
- Lighting**
 2 - 26W medium base fluorescent lamps (2-60W type A19 incandescent bulbs can also be used) (lamps not included)



- Unit Mounting**
 Rated Type IC for ceilings insulated to R-40. Designed to mount in ceilings with at least 6" of clearance. The unit will mount directly to the joist with a rough in opening of 7 5/8" x 7 7/8". The housing will mount through drywall thickness up to 3/4".
- Single Pack Shipping Info**
 Box Dim: 11 1/2" x 13 1/4" x 9 1/2"

EXPANDED PERFORMANCE											
	Static Pressure (inches of w.g.)							Sones @ .1 SP	Fan Speed RPM	Maximum Fan Watts	Amps
	0	0.05	0.1	0.125	0.15	0.2	0.25				
Air Flow - CFM	81	75	70	67	64	58	50	2.5	1375	33	1.6

PROJECT							ARCHITECT				
LOCATION							ENGINEER				
CONTRACTOR							SUBMITTED BY			DATE	
FAN NUMBER	MODEL NUMBER	CFM	IN W.G.	RPM	WATTS	AMPS	SONES	QTY	OPTIONAL EQUIPMENT & REMARKS		



U.S.: 820 Lincoln Avenue
 West Chester, Pennsylvania 19380-4466
 Tel: (610) 692-7400 • 877-304-3785
 Fax: (610) 696-8048

Canada:
 Brampton, Ontario
 Tel: 800-250-8767
 Fax: (905) 456-1015