



SPECIFICATIONS

**AP-600
SERIES**
RANGE HOOD


600 CFM/5.5 Sones @ 0.10" SP.
500 CFM/4.5 Sones @ 0.10" SP.
300 CFM/1.5 Sones @ 0.10" SP.

• **Hood Dimensions**

Overall bottom projection - 24"
 Available heights (without Soffit) - 10" and 18"
 Available widths: 30" and 36"

• **Hood**

Stainless steel. Wall mounted. Install at least 24" above the cooking surface.

• **Lighting**

3 - PAR16, 3.125" in length, type A screw-in base, 45 watt maximum Halogen lamps (included).

• **Ducting Options**

Vertical outlet only. Vertical or Horizontal ducting transition achieved through vertical (included) or horizontal (optional) outlet adapter.

• **Filters**

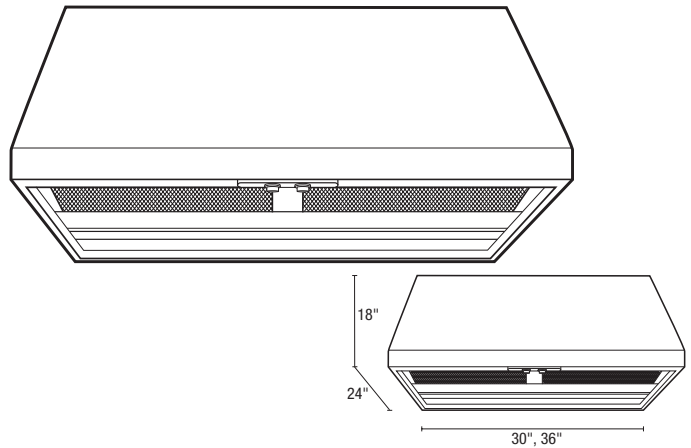
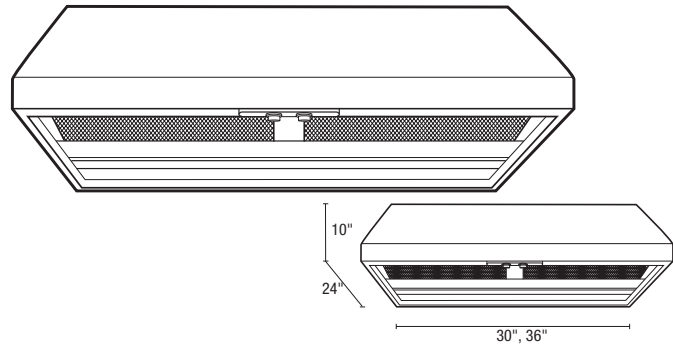
Aluminum grease filters (included).

• **Blower**

Three speed, permanently split capacitor motor. Rated 120 volts, 60 hz.

• **Blower Wheel**

Dual inlet, electronically balanced polymeric centrifugal blower wheels, 57/8" width 59 paddles.



EXPANDED PERFORMANCE

Air Flow - CFM	Static Pressure (inches of w.g.)						Sones @ .1 SP	Fan Speed RPM	Power Watts	Amps
	0	0.1	0.25	0.375	0.5	0.625				
High Speed	638	600	537	458	342	143	5.5	1492	164	1.25
Medium Speed	529	500	444	382	278	116	4.5	1206	131	1.10
Low Speed	317	300	267	229	167	-	1.5	760	95	.90

PROJECT							ARCHITECT				
LOCATION							ENGINEER				
CONTRACTOR							SUBMITTED BY			DATE	
FAN NUMBER	MODEL NUMBER	CFM	IN W.C.	RPM	WATTS	AMPS	SONES	QTY	OPTIONAL EQUIPMENT & REMARKS		



Air King: 820 Lincoln Avenue
 West Chester, Pennsylvania 19380-4466
 Tel: (610) 692-7400 • 877-304-3785
 Fax: (610) 696-8048

Canada:
 Brampton, Ontario
 Tel: 905-456-2033
 Fax: (905) 456-1015