



**SPECIFICATIONS**

**APDQ**

**RANGE HOODS**

**HVI 2100 CERTIFIED** **270 CFM/4.0 Sones @ 0.10" SP. Horizontal**  
**270 CFM/4.0 Sones @ 0.10" SP. Vertical**

• **Dimensions**

Overall bottom projection - 22"  
 Height - 7 1/2"  
 Widths - 30", 36"

• **Hood Body**

Stainless Steel: 24 gauge, grade 430 stainless steel.

• **Motor**

Two speed, thermally protected, permanently lubricated motor. Rated 120 volts, 60 hz. with two electronically balanced blower wheels.

• **Lighting**

2 - PAR16 type A screw-in base, 45 watt maximum Halogen lamps (bulbs not included).

• **Ducting Options**

Horizontal ducting: 3/4"x10" (duct adapter and damper included).  
 Vertical ducting: 3/4"x10" (duct adapter and damper included).  
 Ductless: top vent (charcoal filter not included).

• **Mounting**

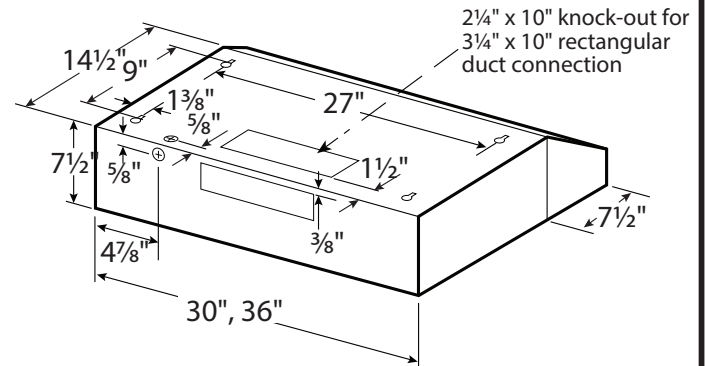
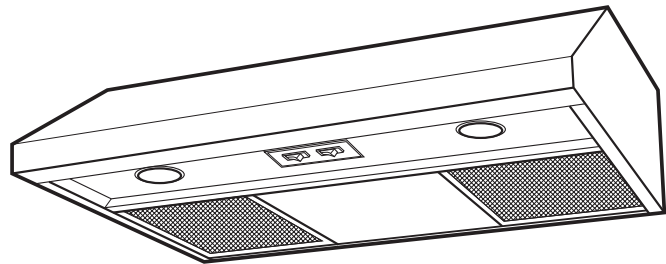
Wall mounted. Install 20" to 30" from cooking surface.

• **Filters**

Grease Filter: GF-01 (included).  
 Charcoal Filter: CF-01 (not included).

• **Available Finishes**

Stainless Steel



**EXPANDED PERFORMANCE**

Air Flow - CFM	Static Pressure (inches of w.g.)						Sones @ .1 SP	Fan Speed RPM	Maximum Fan Watts	Apm's
	0	0.05	0.1	0.15	0.2	0.25				
Horizontal Ducting	311	270	261	251	225	188	4.0	1653	73.0	1.5
Vertical Ducting	310	270	261	251	225	192	4.0	1653	73.0	1.5

<b>PROJECT</b>							<b>ARCHITECT</b>				
<b>LOCATION</b>							<b>ENGINEER</b>				
<b>CONTRACTOR</b>							<b>SUBMITTED BY</b>			<b>DATE</b>	
FAN NUMBER	MODEL NUMBER	CFM	IN W.C.	RPM	WATTS	AMPS	SONES	QTY	OPTIONAL EQUIPMENT & REMARKS		



**Air King:** 820 Lincoln Avenue  
 West Chester, Pennsylvania 19380-4466  
 Tel: (610) 692-7400 • 877-304-3785  
 Fax: (610) 696-8048

**Canada:**  
 Brampton, Ontario  
 Tel: 905-456-2033  
 Fax: (905) 456-1015