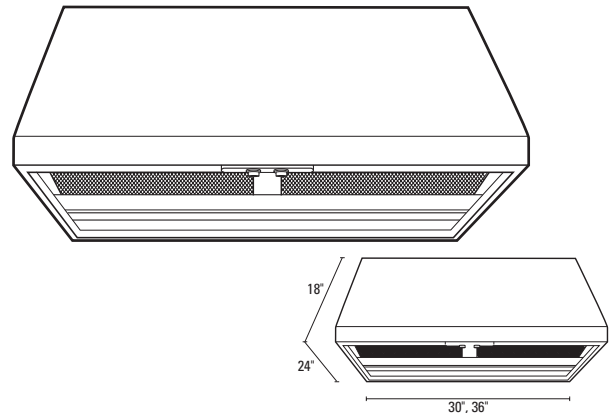
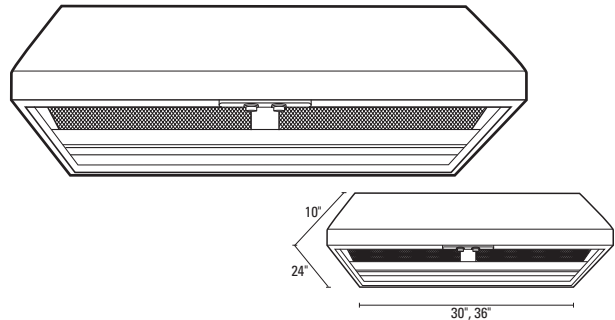




SPECIFICATIONS  
**AP SERIES**  
 RANGE HOODS

# Advantage Professional Series Range Hoods

- **Dimensions**  
 Overall bottom projection - 24"  
 Available height (less Soffit) - 10" and 18"  
 Available widths: 30" and 36"
- **Hood**  
 Stainless steel. Wall mounted. Install at least 24" above the cooking surface.
- **Lighting**  
 2 - PAR16 medium screw base, 45 watt maximum  
 Halogen lamps (not included).
- **Heat Lamps (models P1036W, P1836W)**  
 2 - 175 watt maximum Type PAR38 heat lamps (not included).
- **Ducting Options**  
 Vertical or Horizontal ducting through ducting transition (not included) specified for size of motor.
- **Filters**  
 Dishwasher safe, aluminum mesh grease filters (included).



**BLOWERS SOLD SEPARATELY**

MODEL	HEAT LAMPS <sup>1</sup>	WIDTH	HEIGHT	DEPTH
AP1030	NO	30"	10"	24"
AP1036	NO	36"	10"	24"
AP1836	NO	36"	18"	24"
AP1036W	2-175W	36"	10"	24"
AP1836W	2-175W	36"	18"	24"

<sup>1</sup> Lamps not included

Motor Size	POWER USAGE					
	30"		36"		36" w/Heat Lamps	
	Full Load Amps	Breaker Size	Full Load Amps	Breaker Size	Full Load Amps	Breaker Size
300 CFM	1.7 amps	15 amp	1.7 amps	15 amp	5.9 amps	15 amp
500 CFM	1.9 amps	15 amp	1.9 amps	15 amp	6.1 amps	15 amp
600 CFM	2.1 amps	15 amp	2.1 amps	15 amp	6.3 amps	15 amp
900 CFM	6.5 amps	15 amp	6.5 amps	15 amp	10.7 amps	15 amp
1200 CFM	8.0 amps	15 amp	8.0 amps	15 amp	12.2 amps	20 amp

Breaker Size is listed at the recommended minimum size. Installation must be in accordance with all applicable codes and standards.

<b>PROJECT</b>							<b>ARCHITECT</b>			
<b>LOCATION</b>							<b>ENGINEER</b>			
<b>CONTRACTOR</b>							<b>SUBMITTED BY</b>			<b>DATE</b>
FAN NUMBER	MODEL NUMBER	CFM	IN W.C.	RPM	WATTS	AMPS	SONES	QTY	OPTIONAL EQUIPMENT & REMARKS	



**U.S.:** 820 Lincoln Avenue  
 West Chester, Pennsylvania 19380-4466  
 Tel: (610) 692-7400 • 877-304-3785  
 Fax: (610) 696-8048

**Canada:** 8 Edvac Drive  
 Brampton, Ontario L6S 5P2  
 Tel: (905) 456-2033  
 Fax: (905) 456-1015