

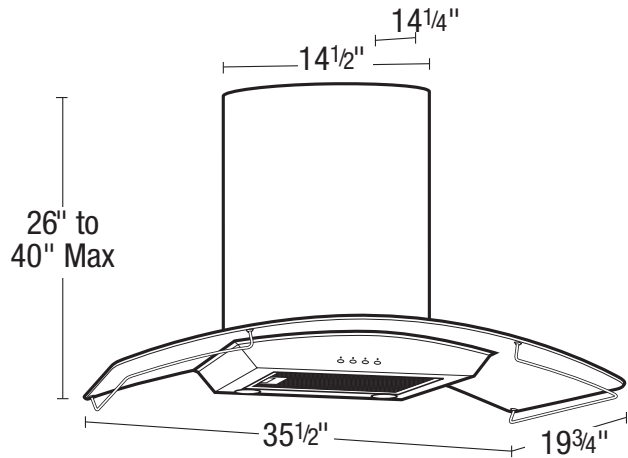


SPECIFICATIONS
ARAGON™
 WALL MOUNT RANGE HOODS

2100 HVI CERTIFIED 570 CFM/12.5 SONES @ 0.10" SP.

- **Dimensions**
 Overall bottom projection - 19³/₄"
 Height (less chimney) - 11¹/₈"
 Available widths: 35¹/₂"
- **Hood Body**
 Brushed stainless steel with tempered glass.
- **Motor**
 3 speed, permanently split capacitor motor. Rated 120 volts, 60 hz.
- **Lighting**
 Two - GU10 base, MR16, 50 watt halogen lights.
- **Ducting Options**
 Vertical ducting: 6" round duct adapter complete with polymeric back draft damper ensuring quiet operation.
 Ductless: Requires charcoal filter (not included).
- **Blower Wheel**
 Dual inlet, electronically balanced polymeric centrifugal blower wheel, 5³/₄" width 59 paddles.
- **Mounting**
 Wall mounted with included mounting bracket. Install 20" to 30" from cooking surface.
- **Filters**
 Grease Filter: BCGF-01 (included).
 Charcoal Filter: BCCF-01 (not included).
- **Available Finishes**
 Stainless Steel.

Barcelona®
 Collection



EXPANDED PERFORMANCE										
	Static Pressure (inches of w.g.)						Sones @ .1 SP	Fan Speed RPM	Power Watts	Amps
	0	0.1	0.25	0.5	0.75	1.0				
Air Flow - CFM	589	570	549	524	504	479	12.5	2560	502.0	3.8

PROJECT							ARCHITECT			
LOCATION							ENGINEER			
CONTRACTOR							SUBMITTED BY			DATE
FAN NUMBER	MODEL NUMBER	CFM	IN W.C.	RPM	WATTS	AMPS	SONES	QTY	OPTIONAL EQUIPMENT & REMARKS	



Air King: 820 Lincoln Avenue
 West Chester, Pennsylvania 19380-4466
 Tel: (610) 692-7400 • 877-304-3785
 Fax: (610) 696-8048