



**SPECIFICATIONS**

**AS54**

**EXHAUST FAN**



**50 CFM/3.0 Sones @ 0.10" SP.**

**Grill**

White, polymeric grill secured in place with torsion springs; easily removed if necessary, dimensions - 10" x 9 1/2".

**Blower Wheel**

One piece polymeric wheel, 4 1/2" diameter, 1" wide, with 10 fins.

**Motor**

Single coil plug-in, two pole motor, life time lubrication, thermally protected. Rated 120 volts, 60 hz.

**Fan Housing**

23 gauge galvanized metal housing, dimensions 7 1/4" x 7 1/4" x 4 3/4", double metal thickness mounting tabs.

**Duct Collar**

Plastic collar for 4" duct connection, comes complete with built in non-metallic back draft damper for quiet operation.

**Ventilating Area**

For bathrooms up to 50 sq. ft. for other rooms up to 60 sq. ft.

**Unit Mounting**

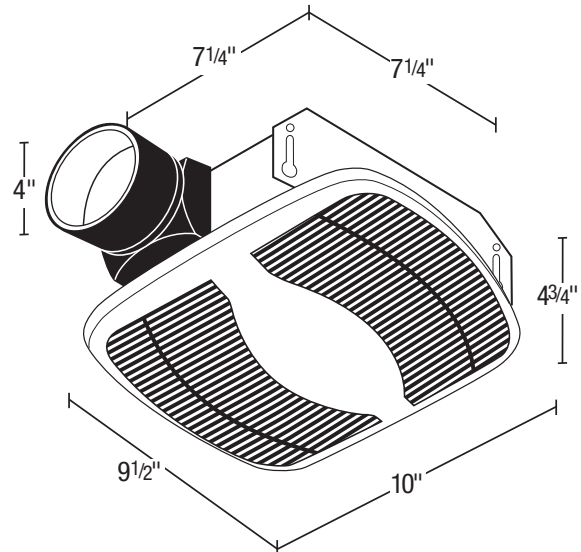
Designed to mount in ceilings with at least 5" of clearance. The housing will mount through drywall thickness up to 3/4", with a rough-in opening of 7 1/2" x 7 1/2".

**Single Pack Shipping Info**

Box Dim: 11" x 10 3/8" x 5 3/4"

UPC: 0-8316293012-5

Shipping Weight: 4 1/2 lbs.



Acceptable for use over tub or shower when installed in a GFCI protected branch circuit.



**EXPANDED PERFORMANCE**

	Static Pressure (inches of w.g.)							Sones @ .1 SP	Fan Speed RPM	Maximum Fan Watts	Amps
	0	0.5	0.1	0.125	0.15	0.2	0.25				
<b>Air Flow - CFM</b>	57	53	50	49	47	43	39	3.0	2176	40.5	0.9

<b>PROJECT</b>							<b>ARCHITECT</b>				
<b>LOCATION</b>							<b>ENGINEER</b>				
<b>CONTRACTOR</b>							<b>SUBMITTED BY</b>			<b>DATE</b>	
FAN NUMBER	MODEL NUMBER	CFM	IN W.G.	RPM	WATTS	AMPS	SONES	QTY	OPTIONAL EQUIPMENT & REMARKS		



**Air King:** 820 Lincoln Avenue  
 West Chester, Pennsylvania 19380-4466  
 Tel: (610) 692-7400 • 877-304-3785  
 Fax: (610) 696-8048