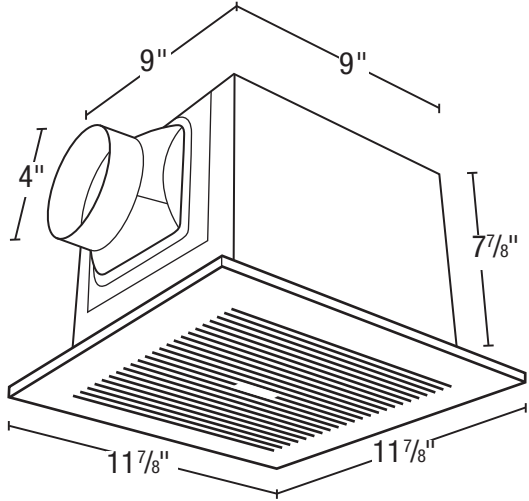




**SPECIFICATIONS**  
**BFC90**  
EXHAUST FAN

**HVI** 2100 CERTIFIED **90 CFM/1.0 Sones @ 0.10" SP.**  
**75 CFM @ 0.25 SP.**



- **Grill**  
White, polymeric grill secured in place with torsion springs; easily removed if necessary, dimensions - 11<sup>7</sup>/<sub>8</sub>" x 11<sup>7</sup>/<sub>8</sub>".
- **Blower Wheel**  
One piece polymeric centrifugal blower wheel, 5<sup>7</sup>/<sub>32</sub>" diameter, 4<sup>1</sup>/<sub>8</sub>" wide, with 36 paddles.
- **Motor**  
Heavy duty, permanently split capacitor, plug-in, 4 pole motor, life time lubrication, suitable for continuous operation. Rated 120 volts, 60 hz.
- **Fan Housing**  
23 gauge painted metal housing. Dimensions: 9" x 9" x 7<sup>7</sup>/<sub>8</sub>".
- **Duct Collar**  
Metal collar for 4" duct connection, comes complete with built in back draft damper.
- **Ventilating Area**  
For bathrooms up to 90 sq. ft. For other rooms up to 115 sq. ft.
- **Electrical Connections**  
3/4" electrical access.
- **Single Pack Shipping Info**  
Box Dim: 13" x 12<sup>3</sup>/<sub>8</sub>" x 9<sup>3</sup>/<sub>4</sub>"  
UPC: 0-8316290318-1  
Shipping Weight: 9.2 lbs.

Acceptable for use over tub or shower when installed in a GFCI protected branch circuit.



- **Unit Mounting**  
The housing will mount in ceilings with at least 8" of clearance and through drywall thickness up to 3/4", with a rough-in opening of 9" x 9". The housing will mount either between 16" or 24" on center joists, using the 4 supplied housing mounting rails. The housing mounting rails can be adapted for overhead mounting (hardware not provided).

EXPANDED PERFORMANCE											
	Static Pressure (inches of w.g.)							Sones @ .1 SP	Fan Speed RPM	Maximum Fan Watts	Amps
	0	0.05	0.1	0.2	0.25	0.3	0.375				
<b>Air Flow - CFM</b>	97	94	90	81	75	69	59	1.0	945	19.0	0.2

<b>PROJECT</b>					<b>ARCHITECT</b>						
<b>LOCATION</b>					<b>ENGINEER</b>						
<b>CONTRACTOR</b>					<b>SUBMITTED BY</b>					<b>DATE</b>	
FAN NUMBER	MODEL NUMBER	CFM	IN W.G.	RPM	WATTS	AMPS	SONES	QTY	OPTIONAL EQUIPMENT & REMARKS		



**U.S.:** 820 Lincoln Avenue  
West Chester, Pennsylvania 19380-4466  
Tel: (610) 692-7400 • 877-304-3785  
Fax: (610) 696-8048

**Canada:**  
Brampton, Ontario  
Tel: 905-456-2033  
Fax: (905) 456-1015