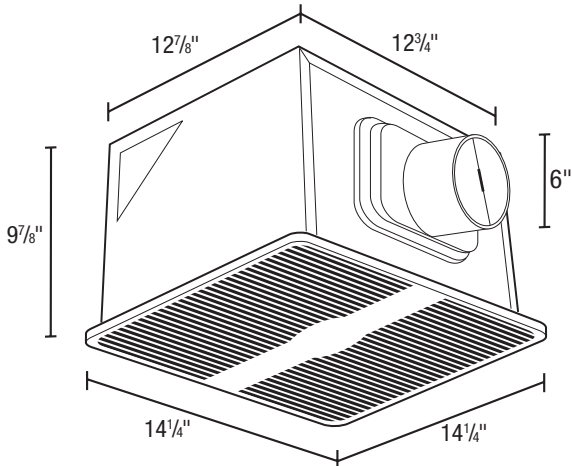




SPECIFICATIONS
D4SH
 VARIABLE AIRFLOW SINGLE
 SPEED EXHAUST FAN

HVI 2100 CERTIFIED **HIGHEST AVAILABLE SPEED: 120 CFM/0.3 Sones @ 0.10" SP.**
LOWEST AVAILABLE SPEED: 40 CFM/<0.3 Sones @ 0.10" SP.

- Grill**
 White, polymeric grill secured in place with torsion springs; easily removed if necessary, dimensions - 14 1/4" x 14 1/4".
- Blower Wheel**
 Balanced polymeric dual inlet blower wheel secured in place using a hex nut.
- Adjustable Capacity DC Motor**
 9 capacity settings allow the fan to be set to the required exhaust rate for continuous ventilation. Set points include:
 40 50 60 70 80 90 100 110 & 120 CFM
 Quiet DC motor maintains CFM ratings across multiple static pressures, suitable for continuous operation, permanently lubricated, 115/120V 60 Hz., 0.4 amps. Maximum fan watts @ 0.1 SP.: 7.3 watts
 Ideal for compliance with ASHRAE 62.2, LEED, ENERGY STAR® for Homes, California Title 24 and other programs.
- Humidity Sensor**
 Integrated humidity sensor, adjustable up to 80% RH automatically turns fan to high speed until humidity drops to the desired set point.
- Fan Housing**
 23 gauge galvanized steel housing. Overall dimensions: 12 7/8" x 12 3/4" x 9 7/8".
- Duct Collar**
 6" round, zinc plated metal collar adapter. Gasketed, spring loaded aluminum backdraft damper.
- Electrical Connections**
 1/2" electrical knockouts provided. Easy wiring access via either internal or external wiring compartment cover.
- Single Pack Shipping Info**
 Box Dim: 20" x 15 7/8" x 11 3/8"
 Shipping Weight: 17 lbs.



Acceptable for use over tub or shower when installed in a GFCI protected branch circuit.



- Unit Mounting**
 The housing will mount through drywall thickness up to 3/4", with a rough-in opening of 13 1/8" x 13". The housing will mount either between 16" or 24" on center joists, using the 2 supplied housing mounting brackets. The housing mounting brackets can be adapted for overhead mounting (hardware not provided). The unit is provided with an optionally installed ceiling flange to ensure proper building infiltration rates are maintained and that no air leaks occur between the fan housing and ceiling cutout.

SEE REVERSE SIDE FOR STATIC PRESSURE RANGES

PROJECT							ARCHITECT			
LOCATION							ENGINEER			
CONTRACTOR							SUBMITTED BY		DATE	
FAN NUMBER	MODEL NUMBER	CFM	IN W.G.	RPM	WATTS	AMPS	SONES	QTY	OPTIONAL EQUIPMENT & REMARKS	



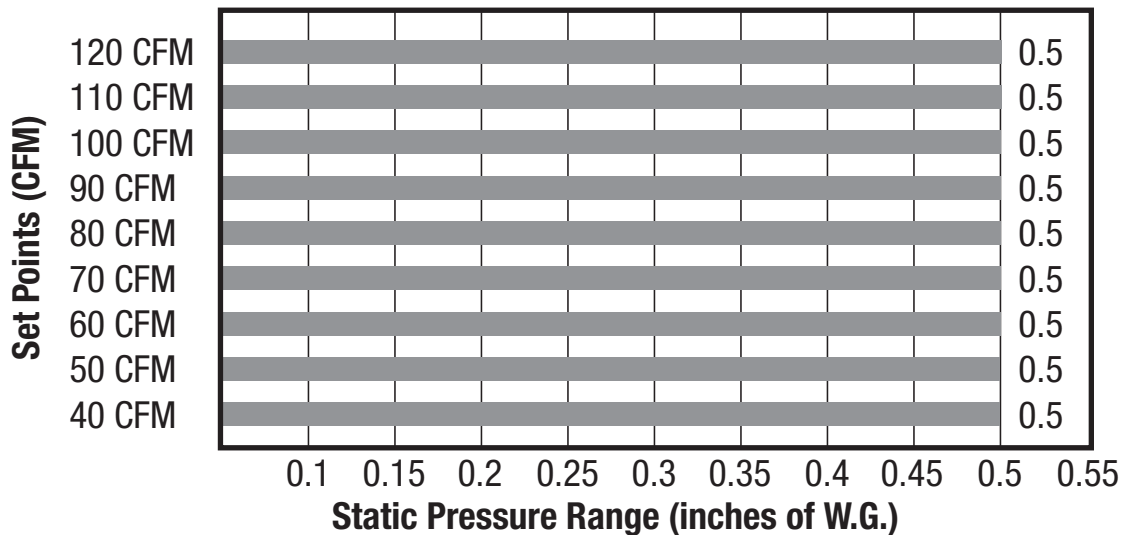
U.S.: 820 Lincoln Avenue
 West Chester, Pennsylvania 19380-4466
 Tel: (610) 692-7400 • 877-304-3785
 Fax: (610) 696-8048

Canada:
 Brampton, Ontario
 Tel: 905-456-2033
 Fax: (905) 456-1015



SPECIFICATIONS
D4SH
 VARIABLE AIRFLOW SINGLE
 SPEED EXHAUST FAN

ACHIEVABLE STATIC PRESSURES



SOUND POWER LEVEL (dB)

Airflow @ 0.1"	Full Octave Band Center Frequency (Hz)								Sones
	63	125	250	500	1k	2k	4k	8k	
120	34.7	40.9	44.4	40.3	39.0	30.6	20.2	8.8	<0.3
110	34.7	40.3	44.1	40.1	38.0	29.5	19.0	7.7	<0.3
100	33.8	39.8	43.8	39.5	37.1	28.6	18.0	7.0	<0.3
90	34.5	38.2	42.2	37.5	35.4	26.6	16.0	5.7	<0.3
80	35.1	37.9	41.9	36.8	34.9	25.6	15.2	5.7	<0.3
70	34.8	37.9	41.0	36.2	33.4	24.1	13.6	5.1	<0.3
60	34.4	38.1	40.5	35.5	32.3	22.6	12.7	4.4	<0.3
50	33.4	37.3	40.5	35.4	32.2	22.2	12.7	4.5	<0.3
40	32.8	37.5	39.7	34.9	31.5	21.6	12.0	4.1	<0.3

Airflow @ 0.25"	Full Octave Band Center Frequency (Hz)								Sones
	63	125	250	500	1k	2k	4k	8k	
120	38.3	45.6	49.0	44.5	43.1	33.8	22.1	9.4	0.7
110	39.1	45.9	49.7	45.2	42.8	33.1	21.1	8.3	0.7
100	37.5	44.6	48.5	43.9	41.1	31.6	19.7	7.3	0.5
90	39.4	44.0	48.1	42.7	40.3	30.2	17.8	6.0	0.4
80	39.7	42.9	47.1	41.2	39.1	28.6	16.6	5.9	0.3
70	39.7	43.5	46.6	41.1	37.9	27.2	15.0	5.3	<0.3
60	40.5	45.2	47.5	41.5	37.7	26.2	14.2	4.5	<0.3
50	38.8	43.7	46.9	40.9	37.1	25.5	14.1	4.6	<0.3
40	39.2	45.1	47.2	41.2	37.3	25.3	13.6	4.1	<0.3



U.S.: 820 Lincoln Avenue
 West Chester, Pennsylvania 19380-4466
 Tel: (610) 692-7400 • 877-304-3785
 Fax: (610) 696-8048

Canada:
 Brampton, Ontario
 Tel: 905-456-2033
 Fax: (905) 456-1015