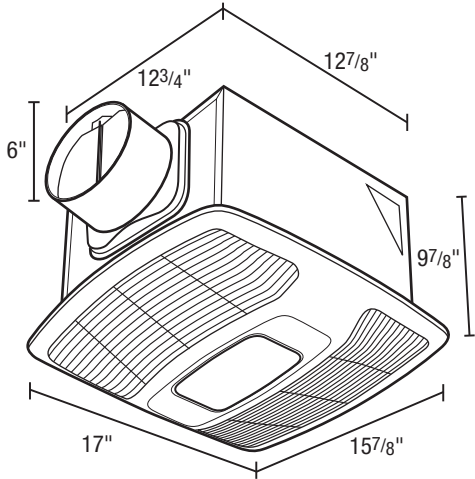




**SPECIFICATIONS**  
**EF130S**  
EXHAUST FAN

**2100 HVI CERTIFIED** **130 CFM / <0.3 Sones @ 0.10" SP.**  
**112 CFM @ 0.25 SP. (Boost)**



- **Grill**  
White, polymeric grill secured in place with torsion springs; easily removed if necessary, dimensions - 17" x 15 7/8".
- **Blower Wheel**  
Balanced polymeric dual inlet blower wheel secured in place using a hex nut.
- **Motor**  
Enclosed 4 pole high efficiency, permanently split capacitor motor (PSC); life time lubrication, suitable for continuous operation. Rated 115/120 volts, 60 Hz.
- **Fan Housing**  
23 gauge galvanized steel housing. Fan housing dimensions: 12 7/8" x 12 3/4" x 9 7/8".
- **Duct Collar**  
6" round, zinc plated metal collar adapter. 6" spring loaded and gasketed aluminum backdraft damper.
- **Electrical Connections**  
0.5" electrical knockouts provided. Easy wiring access via either internal or external wiring compartment cover.
- **Lighting**  
Electronic Quick Start Ballast – rated 26 Watt. Includes 26 watt, Quad 4 pin PL lamp. 4 watt night light (night light bulb not included).

Acceptable for use over tub or shower when installed in a GFCI protected branch circuit.



- **Unit Mounting**  
The housing will mount through drywall thickness up to 3/4", with a rough-in opening of 13 1/8" x 13". The housing will mount either between 16" or 24" on center joists, using the 2 supplied housing mounting brackets. The housing mounting brackets can be adapted for overhead mounting (hardware not provided). The unit is provided with an optionally installed ceiling flange to ensure proper building infiltration rates are maintained and that no air leaks occur between the fan housing and ceiling cutout.

| EXPANDED PERFORMANCE  |                                  |     |      |     |        |     |      |               |               |                   |                |
|-----------------------|----------------------------------|-----|------|-----|--------|-----|------|---------------|---------------|-------------------|----------------|
|                       | Static Pressure (inches of w.g.) |     |      |     |        |     |      | Sones @ .1 SP | Fan Speed RPM | Maximum Fan Watts | Full Load Amps |
|                       | 0                                | 0.1 | 0.15 | 0.2 | 0.25*  | 0.3 | 0.35 |               |               |                   |                |
| <b>Air Flow - CFM</b> | 149                              | 130 | 119  | 107 | 91/112 | 79  | 62   | <0.3          | 783           | 37.0              | 0.7            |

\* Boost speed provides 112 CFM @ .25 Static Pressure, 0.6 sones

| <b>PROJECT</b>    |              |     |         |     |       |      | <b>ARCHITECT</b>    |     |                              |             |  |
|-------------------|--------------|-----|---------|-----|-------|------|---------------------|-----|------------------------------|-------------|--|
| <b>LOCATION</b>   |              |     |         |     |       |      | <b>ENGINEER</b>     |     |                              |             |  |
| <b>CONTRACTOR</b> |              |     |         |     |       |      | <b>SUBMITTED BY</b> |     |                              | <b>DATE</b> |  |
| FAN NUMBER        | MODEL NUMBER | CFM | IN W.G. | RPM | WATTS | AMPS | SONES               | QTY | OPTIONAL EQUIPMENT & REMARKS |             |  |
|                   |              |     |         |     |       |      |                     |     |                              |             |  |



**Air King:** 820 Lincoln Avenue  
West Chester, Pennsylvania 19380-4466  
Tel: (610) 692-7400 • 877-304-3785  
Fax: (610) 696-8048