



SPECIFICATIONS
ESAPADA
 RANGE HOODS

	270 CFM/4.0 Sones (Vertical) @ 0.10" S.P.
	150 CFM/1.5 Sones (Vertical) @ 0.10" S.P.
	270 CFM/4.0 Sones (Horizontal) @ 0.10" SP.
	150 CFM/1.1 Sones (Horizontal) @ 0.10" SP.

• **Dimensions**

Overall bottom projection - 22"
 Height - 7 1/2", Widths - 30", 36"

• **Hood Body**

Stainless Steel: 24 gauge, grade 430 stainless steel.

• **Motor**

2 speed, thermally protected, permanently lubricated motor. Rated 120 volts, 60 hz. with two electronically balanced blower wheels

• **Controls**

Wall mounted dual rocker switch with plate, white finish. Fits into a triple gang box.

• **Lighting**

Includes 2 - 6.5 Watt GU10 base LED lamps (included)

• **Ducting Options**

Horizontal ducting: 3 1/4" x 10" (duct adapter and damper included).
 Vertical ducting: 3 1/4" x 10" (duct adapter and damper included).
 Ductless*: top vent (charcoal filter not included)

• **Mounting**

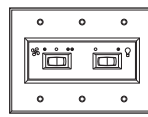
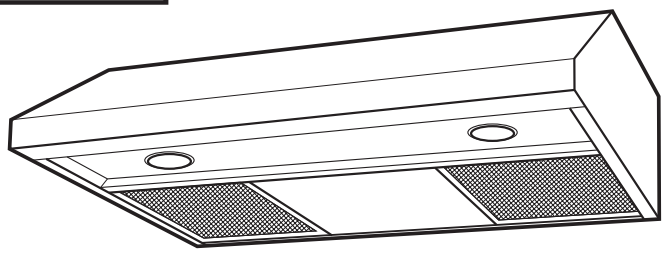
Wall mounted. Install 20" to 30" from cooking surface.

• **Filters**

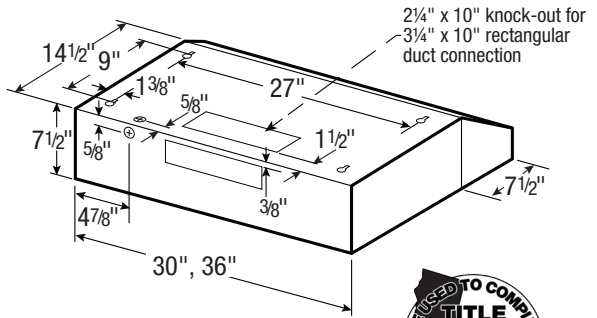
Grease Filter: GF-01 (included), Charcoal Filter: CF-01 (not included).

• **Available Finishes**

Stainless Steel



Included Wall Control



Compliant with ADA
 (Americans with Disabilities Act)



EXPANDED PERFORMANCE										
Air Flow - CFM	Static Pressure (inches of w.g.)						Sones @ .1 SP	Fan Speed RPM	Power Watts	Amps
	0	0.1	0.125	0.15	0.2	0.25				
Horz Ducting High Speed	311	270	261	251	225	188	4.0	1653	73.0	1.5
Horz Ducting Low Speed	163	150	144	137	66	-	1.5	1229	41.0	1.5
Vert Ducting High Speed	310	270	261	251	225	192	4.0	1653	73.0	1.5
Vert Ducting Low Speed	159	150	148	142	114	44	1.5	1189	41.3	1.5

PROJECT							ARCHITECT			
LOCATION							ENGINEER			
CONTRACTOR							SUBMITTED BY			DATE
FAN NUMBER	MODEL NUMBER	CFM	IN W.C.	RPM	WATTS	AMPS	SONES	QTY	OPTIONAL EQUIPMENT & REMARKS	



Air King: 820 Lincoln Avenue
 West Chester, Pennsylvania 19380-4466
 Tel: (610) 692-7400 • 877-304-3785
 Fax: (610) 696-8048

Canada:
 Brampton, Ontario
 Tel: 905-456-2033
 Fax: (905) 456-1015

* The ENERGY STAR Program for Residential Ventilating Fans has no provision for qualification of ductless rangehoods (recirculating not ventilating), as a result the ENERGY STAR program applies to ducted rangehoods only. Specifications subject to change without notice. Updated 2-18