



SPECIFICATIONS
ESAPDQ
 RANGE HOODS

	270 CFM/4.0 Sones (Vertical) @ 0.10" S.P.
	150 CFM/1.5 Sones (Vertical) @ 0.10" S.P.
	270 CFM/4.0 Sones (Horizontal) @ 0.10" SP.
	150 CFM/1.5 Sones (Horizontal) @ 0.10" SP.

Dimensions

Overall bottom projection - 22"
 Height -71/2"
 Widths - 30", 36"

Hood Body

Stainless Steel: 24 gauge, grade 430 stainless steel.

Motor

2 speed, thermally protected, permanently lubricated motor. Rated 120 volts, 60 hz. with two electronically balanced blower wheels

Lighting

Includes 2 - 18 Watt GU24 base self ballasted lamps (included)

Ducting Options

Horizontal ducting: 3/4"x10" (duct adapter and damper included).
 Vertical ducting: 3/4"x10" (duct adapter and damper included).
 Ductless*: top vent (charcoal filter not included)

Mounting

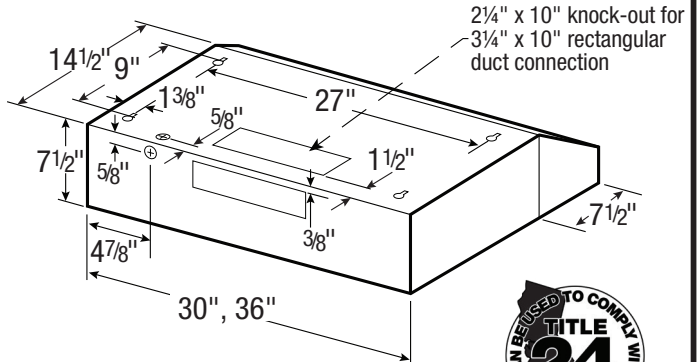
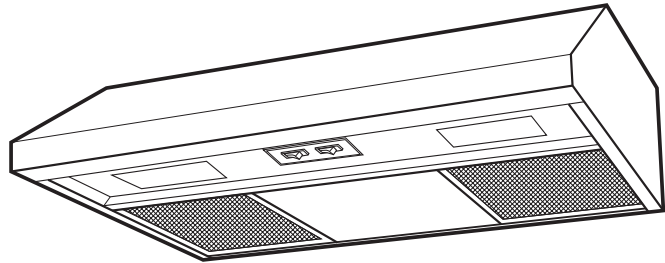
Wall mounted. Install 20" to 30" from cooking surface.

Filters

Grease Filter: GF-01 (included).
 Charcoal Filter: CF-01 (not included).

Available Finishes

Stainless Steel



EXPANDED PERFORMANCE										
Air Flow - CFM	Static Pressure (inches of w.g.)						Sones @ .1 SP	Fan Speed RPM	Power Watts	Amps
	0	0.1	0.125	0.15	0.2	0.25				
Horz Ducting High Speed	311	270	261	251	225	188	4.0	1653	73.0	1.5
Horz Ducting Low Speed	163	150	144	137	66	-	1.5	1229	41.0	1.5
Vert Ducting High Speed	310	270	261	251	225	192	4.0	1653	73.0	1.5
Vert Ducting Low Speed	159	150	148	142	114	44	1.5	1189	41.3	1.5

PROJECT							ARCHITECT			
LOCATION							ENGINEER			
CONTRACTOR							SUBMITTED BY			DATE
FAN NUMBER	MODEL NUMBER	CFM	IN W.C.	RPM	WATTS	AMPS	SONES	QTY	OPTIONAL EQUIPMENT & REMARKS	



Air King: 820 Lincoln Avenue
 West Chester, Pennsylvania 19380-4466
 Tel: (610) 692-7400 • 877-304-3785
 Fax: (610) 696-8048

* The ENERGY STAR Program for Residential Ventilating Fans has no provision for qualification of ductless rangehoods (recirculating not ventilating), as a result the ENERGY STAR program applies to ducted rangehoods only. Specifications subject to change without notice. Updated 11-15