


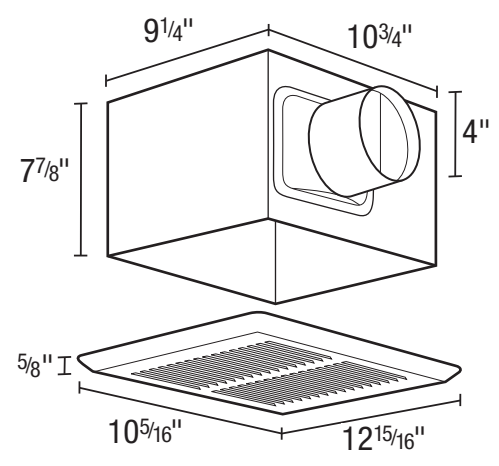


SPECIFICATIONS  
**FRAK90H**  
 EXHAUST FAN


**90 CFM/1.5 Sones @ 0.10" SP.**  
**73 CFM @ 0.25" SP.**

- **Grill**  
Cold rolled steel, powder coated white.
- **Blower Wheel**  
One piece polymeric centrifugal blower wheel, 5.22" diameter, 2.90" wide, with 30 paddles.
- **Motor**  
Heavy duty, permanently split capacitor, 4 pole motor, life time lubrication, thermally protected, suitable for continuous operation. Rated 120 volts.  
Contractor Pack (Motor/BladeGrill) Model: FAK90T\*
- **Fan Housing**  
24 gauge galvanized steel housing, dimensions 10<sup>3</sup>/<sub>4</sub>" x 9<sup>1</sup>/<sub>4</sub>" x 7<sup>7</sup>/<sub>8</sub>".  
Contractor Pack Model: AKFH2H\*
- **Humidity Sensor**  
Integrated humidity sensor automatically turns fan on until the desired humidity level is reached. Humidity set points up to 80%.
- **Duct Collar**  
Metal collar for 4" duct connection, comes complete with built in back draft damper.
- **Ventilating Area**  
For rooms up to 115 sq. ft.
- **Unit Mounting**  
FRAK90H is centered between joists (with 16" centers) using hanging brackets. The housing will mount through drywall thickness up to 3/4", with a rough-in opening of 10<sup>3</sup>/<sub>4</sub>" x 9<sup>1</sup>/<sub>4</sub>".

\* Sold in packs of 4. All three parts (housing, damper, motor/blade/grill) must be purchased and used together to make a complete unit.



Acceptable for use over tub or shower when installed in a GFCI protected branch circuit.



**CAL Green**

- **Damper**  
Blanket - Non-asbestos, ceramic blanket  
Fusible Link - Replaceable, 165°F standard  
Classification - CUL Listed 555C. California State Marshall classification for 1 hour fire damper rating. California State Marshall listing number 3226-1721:0109.  
Contractor Pack Model: AKFD2\*

EXPANDED PERFORMANCE												
		Static Pressure (inches of w.g.)						Sones @ .1 SP	Fan Speed RPM	Maximum Fan Watts	Amps	
		0	0.05	0.1	0.125	0.15	0.2					0.25
Air Flow - CFM		101	94	90	88	86	80	73	1.5	1250	24.2	0.30

<b>PROJECT</b>	<b>ARCHITECT</b>
<b>LOCATION</b>	<b>ENGINEER</b>
<b>CONTRACTOR</b>	<b>SUBMITTED BY</b>
	<b>DATE</b>

FAN NUMBER	MODEL NUMBER	CFM	IN W.G.	RPM	WATTS	AMPS	SONES	QTY	OPTIONAL EQUIPMENT & REMARKS



**Air King:** 820 Lincoln Avenue  
 West Chester, Pennsylvania 19380-4466  
 Tel: (610) 692-7400 • 877-304-3785  
 Fax: (610) 696-8048