



**SPECIFICATIONS**

**IL6E**

**EXHAUST FANS**



**IL6E: 240 CFM @ 0.2" SP, 52.0 Watts**

• **Motor**

Enclosed 2 pole, life time lubrication, ball bearing motor. Suitable for continuous operation. Maximum air temperature 140° F. Suitable for use with fan speed controller. 115 Volts, 60Hz.

• **Blower Wheel**

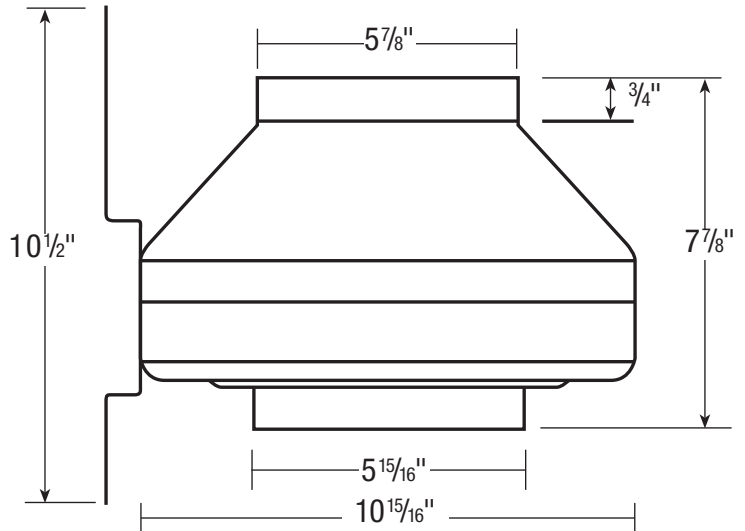
Backward inclined, balanced polymeric single inlet blower wheel.

• **Electrical Connections**

**Power Unit:** 1/2" electrical knockouts provided with internal terminal block.

• **Unit Mounting**

**Power Unit:** Metal fan mounting bracket included with the unit.



**EXPANDED PERFORMANCE**

Air Flow - CFM	Static Pressure (inches of w.g.)									Fan Speed RPM	Power Watts	Amps
	0	0.1	0.125	0.2	0.25	0.3	0.375	0.4	0.6			
<b>IL6E</b>	273	257	253	240	230	219	203	197	150	2954	52.0	

Please note: The Home Ventilation Institute (HVI) does not currently have a sound test standard for remote mounted fans. As a result sound levels (sones) are not listed. In most cases, a remote fan will be quieter than one mounted within the living area.

<b>PROJECT</b>				<b>ARCHITECT</b>					
<b>LOCATION</b>				<b>ENGINEER</b>					
<b>CONTRACTOR</b>				<b>SUBMITTED BY</b>			<b>DATE</b>		
FAN NUMBER	MODEL NUMBER	CFM	IN W.G.	RPM	WATTS	AMPS	SONES	QTY	OPTIONAL EQUIPMENT & REMARKS



**U.S.:** 820 Lincoln Avenue  
 West Chester, Pennsylvania 19380-4466  
 Tel: (610) 692-7400 • 877-304-3785  
 Fax: (610) 696-8048

**Canada:**  
 Brampton, Ontario  
 Tel: 905-456-2033  
 Fax: (905) 456-1015