

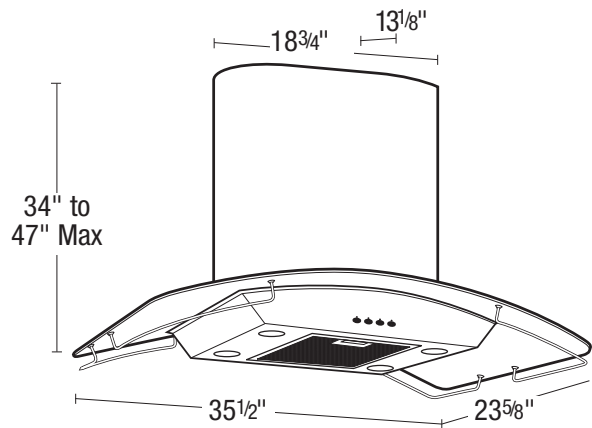


**SPECIFICATIONS**  
**IBIZA™**  
 ISLAND RANGE HOODS

**2100 HVI CERTIFIED**    **570 CFM/12.5 SONES @ 0.10" SP.**

- **Dimensions**  
 Overall bottom projection - 23<sup>5</sup>/<sub>8</sub>"  
 Height (less chimney) - 12<sup>1</sup>/<sub>2</sub>"  
 Available widths: 35<sup>1</sup>/<sub>2</sub>"
- **Hood Body**  
 Brushed stainless steel with tempered glass.
- **Motor**  
 3 speed, permanently split capacitor motor. Rated 120 volts, 60 hz.
- **Lighting**  
 Four - GU10 base, MR16, 50 watt halogen lights.
- **Ducting Options**  
 Vertical ducting: 6" round duct adapter complete with polymeric back draft damper ensuring quiet operation.  
 Ductless: Requires charcoal filter (not included).
- **Blower Wheel**  
 Dual inlet, electronically balanced polymeric centrifugal blower wheel, 5<sup>3</sup>/<sub>4</sub>" width 59 paddles.
- **Mounting**  
 Ceiling mounted with included mounting bracket. Install 20" to 30" from cooking surface.
- **Filters**  
 Grease Filter: BCGF-01 (included).  
 Charcoal Filter: BCCF-01 (not included).
- **Available Finishes**  
 Stainless Steel.

Barcelona®  
Collection



| <b>EXPANDED PERFORMANCE</b> |   |     |      |     |      |     |              |                  |              |      |
|-----------------------------|---|-----|------|-----|------|-----|--------------|------------------|--------------|------|
|                             | <i>Static Pressure (inches of w.g.)</i> |     |      |     |      |     | <i>Sones</i> | <i>Fan Speed</i> | <i>Power</i> |      |
|                             | 0                                       | 0.1 | 0.25 | 0.5 | 0.75 | 1.0 | @ .1 SP      | RPM              | Watts        | Amps |
| <b>Air Flow - CFM</b>       | 589                                     | 570 | 549  | 524 | 504  | 479 | 12.5         | 2560             | 502.0        | 2.8  |

| <b>PROJECT</b>    |              |     |         |     |       |      | <b>ARCHITECT</b>    |     |                              |             |
|-------------------|--------------|-----|---------|-----|-------|------|---------------------|-----|------------------------------|-------------|
| <b>LOCATION</b>   |              |     |         |     |       |      | <b>ENGINEER</b>     |     |                              |             |
| <b>CONTRACTOR</b> |              |     |         |     |       |      | <b>SUBMITTED BY</b> |     |                              | <b>DATE</b> |
| FAN NUMBER        | MODEL NUMBER | CFM | IN W.C. | RPM | WATTS | AMPS | SONES               | QTY | OPTIONAL EQUIPMENT & REMARKS |             |
|                   |              |     |         |     |       |      |                     |     |                              |             |



**Air King:** 820 Lincoln Avenue  
 West Chester, Pennsylvania 19380-4466  
 Tel: (610) 692-7400 • 877-304-3785  
 Fax: (610) 696-8048

**Canada:**  
 Brampton, Ontario  
 Tel: 905-456-2033  
 Fax: (905) 456-1015