



SPECIFICATIONS

L600
POWER PACK



High Speed 600 CFM/4.0 Sones @ 0.10" SP.
Medium Speed 400 CFM/2.5 Sones @ 0.10" SP.
Low Speed 200 CFM/0.3 Sones @ 0.03" SP.

Dimensions

Overall bottom projection - 11"
Height - 11"
Width - 28" (for 30" canopy)

Body

Galvanized steel body with stainless steel fascia. Install at least 24" above the cooking surface.

Blower

3 speed, thermally protected, permanently lubricated, split capacitor, 120V 60 Hz. with two electronically balanced blower wheels.

Lighting

Uses 2 - 50 Watt GU10 base Halogen lamps (included).

Ducting

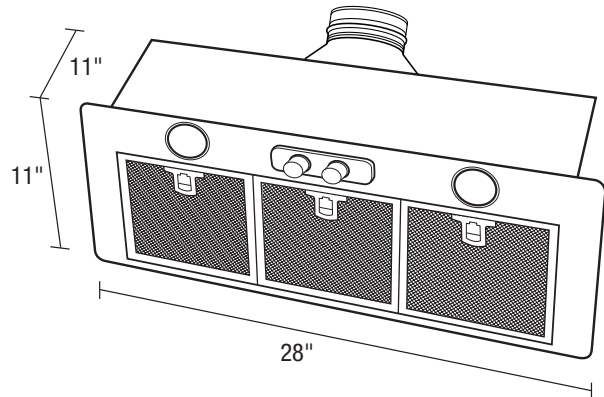
Vertical ducting: 10" round ducting with all metal model OA10VD outlet adapter and back draft damper.

Filters

Aluminum grease filters (included).

Cut Out Opening Size

Width 26 7/8"
Depth - 10"



EXPANDED PERFORMANCE

| Air Flow - CFM | Static Pressure (inches of w.g.) | | | | | | Sones @ .1 SP | Fan Speed RPM | Power Watts | Amps |
|----------------|----------------------------------|-----|------|------|-----|-------|---------------|---------------|-------------|------|
| | 0 | 0.1 | 0.15 | 0.25 | 0.3 | 0.375 | | | | |
| High Speed | 629 | 600 | 583 | 540 | 516 | 475 | 4.0 | 1491 | 181 | 2.0 |
| Medium Speed | 415 | 400 | 391 | 371 | 356 | 325 | 2.5 | 1334 | 132 | 2.0 |
| Low Speed | 210 | 167 | 146 | 112 | 93 | - | 0.3 | 666 | 59.5 | 2.0 |

| PROJECT | | | | | | | ARCHITECT | | | | |
|-------------------|--------------|-----|---------|-----|-------|------|---------------------|-----|------------------------------|-------------|--|
| LOCATION | | | | | | | ENGINEER | | | | |
| CONTRACTOR | | | | | | | SUBMITTED BY | | | DATE | |
| FAN NUMBER | MODEL NUMBER | CFM | IN W.C. | RPM | WATTS | AMPS | SONES | QTY | OPTIONAL EQUIPMENT & REMARKS | | |
| | | | | | | | | | | | |



Air King: 820 Lincoln Avenue
West Chester, Pennsylvania 19380-4466
Tel: (610) 692-7400 • 877-304-3785
Fax: (610) 696-8048

Canada:
Brampton, Ontario
Tel: 905-456-2033
Fax: (905) 456-1015