



SPECIFICATIONS
LE300A
 POWER PACK

HVI 2100 CERTIFIED
 High Speed 300 CFM/5.0 Sones @ 0.10" SP.
 Medium Speed 200 CFM/2.0 Sones @ 0.10" SP.
 Low Speed 150 CFM/0.5 Sones @ 0.03" SP.

Continuous Performance @ 0.03" SP.
 30 CFM/<0.3 Sones, 50 CFM/<0.3 Sones
 70 CFM/<0.3 Sones, 90 CFM/<0.3 Sones

Dimensions

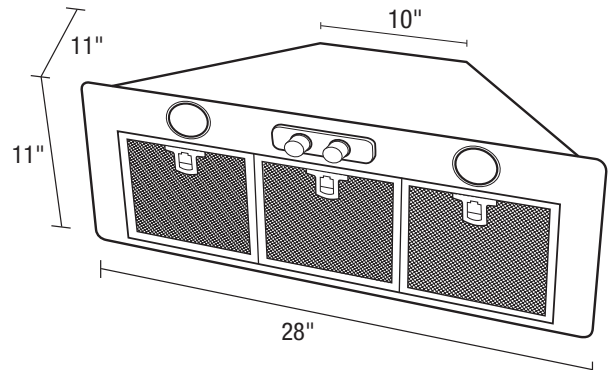
Overall bottom projection - 11"
 Height - 11"
 Width - 28" (for 30" canopy)

Body

Galvanized steel body with stainless steel fascia. Install at least 24" above the cooking surface.

Adjustable Capacity Motor

4 capacity settings on low speed allow the fan to be set to the required exhaust rate for continuous ventilation. Low speed set points include: 30 50 70 or 90 CFM
 High speed rapidly clears the air of moisture, odors or other contaminants. Ideal for compliance with ASHRAE 62.2, LEED and other programs. Suitable for continuous operation, thermally protected, permanently lubricated, split capacitor, 120V 60 Hz. with two electronically balanced blower wheels.
 Internal On/Off switch allows override of continuous ventilation operation.



**BARELY AUDIBLE
 CONTINUOUS SPEED OPERATION**

Lighting

Uses 2 - 7 Watt GU10 base LED lamps (included).

Ducting

Vertical ducting: 6" round ducting with all metal outlet adapter and back draft damper.

Filters

Aluminum grease filters (included).

Cut Out Opening Size

Width 26 7/8"
 Depth - 10"



EXPANDED PERFORMANCE										
Air Flow - CFM	Static Pressure (inches of w.g.)						Sones @ .1 SP	Fan Speed RPM	Power Watts	Amps
	0	0.1	0.15	0.25	0.3	0.375				
High Speed	315	300	292	271	259	238	5.0	1490	88.5	1.1
Medium Speed	207	200	196	185	178	163	2.0	1335	64.6	1.1
Low Speed	153	142	137	125	119	-	0.5	819	39.2	1.1

PROJECT							ARCHITECT			
LOCATION							ENGINEER			
CONTRACTOR							SUBMITTED BY			DATE
FAN NUMBER	MODEL NUMBER	CFM	IN W.C.	RPM	WATTS	AMPS	SONES	QTY	OPTIONAL EQUIPMENT & REMARKS	



Air King: 820 Lincoln Avenue
 West Chester, Pennsylvania 19380-4466
 Tel: (610) 692-7400 • 877-304-3785
 Fax: (610) 696-8048

Canada:
 Brampton, Ontario
 Tel: 905-456-2033
 Fax: (905) 456-1015

Specifications subject to change without notice.