



SPECIFICATIONS
LE300
POWER PACK


High Speed 300 CFM/5.0 Sones @ 0.10" SP.
Medium Speed 200 CFM/2.0 Sones @ 0.10" SP.
Low Speed 150 CFM/0.5 Sones @ 0.03" SP.

• **Dimensions**

Overall bottom projection - 11"
Height - 11"
Width - 28" (for 30" canopy)

• **Body**

Galvanized steel body with stainless steel fascia. Install at least 24" above the cooking surface.

• **Blower**

3 speed, thermally protected, permanently lubricated, split capacitor, 120V 60 Hz. with two electronically balanced blower wheels.

• **Lighting**

Uses 2 - 6.5 Watt GU10 base LED lamps (included).

• **Ducting**

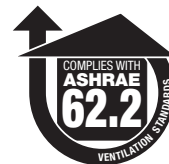
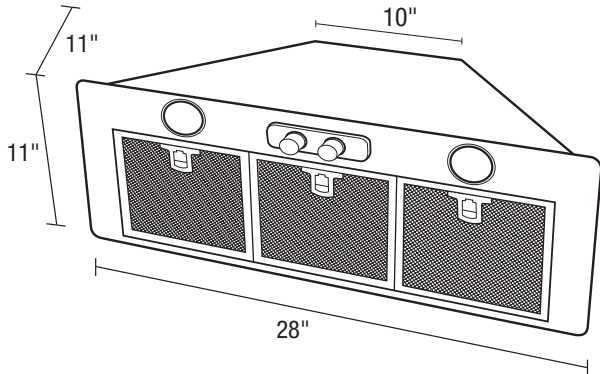
Vertical ducting: 6" round ducting with all metal outlet adapter and back draft damper.

• **Filters**

Aluminum grease filters (included).

• **Cut Out Opening Size**

Width 26 7/8"
Depth - 10"



EXPANDED PERFORMANCE										
<i>Air Flow - CFM</i>	<i>Static Pressure (inches of w.g.)</i>						<i>Sones @ .1 SP</i>	<i>Fan Speed RPM</i>	<i>Power Watts</i>	<i>Amps</i>
	<i>0</i>	<i>0.1</i>	<i>0.15</i>	<i>0.25</i>	<i>0.3</i>	<i>0.375</i>				
High Speed	315	300	292	271	259	238	5.0	1490	88.5	1.1
Medium Speed	207	200	196	185	178	163	2.0	1335	64.6	1.1
Low Speed	153	142	137	125	119	-	0.5	819	39.2	1.1

PROJECT							ARCHITECT			
LOCATION							ENGINEER			
CONTRACTOR							SUBMITTED BY			DATE
FAN NUMBER	MODEL NUMBER	CFM	IN W.C.	RPM	WATTS	AMPS	SONES	QTY	OPTIONAL EQUIPMENT & REMARKS	



Air King: 820 Lincoln Avenue
West Chester, Pennsylvania 19380-4466
Tel: (610) 692-7400 • 877-304-3785
Fax: (610) 696-8048

Canada:
Brampton, Ontario
Tel: 905-456-2033
Fax: (905) 456-1015