



SPECIFICATIONS  
**LIN28M**  
 POWER UNIT LINER

<b>LIN28m-300, 300 CFM/4.5 Sones @ 0.10" SP.</b> <b>LIN28m-400, 400 CFM/8.0 Sones @ 0.10" SP.</b> <b>LIN28m-600, 600 CFM/5.5 Sones @ 0.10" SP.</b>	<b>LIN28md-300, 300 CFM/4.5 Sones @ 0.10" SP.</b> <b>LIN28md-400, 400 CFM/8.0 Sones @ 0.10" SP.</b> <b>LIN28md-600, 600 CFM/5.5 Sones @ 0.10" SP.</b>
--	---

**Hood**

Galvanized metal body with all exposed areas grade 430 stainless steel. Approved for installation into covered outdoor kitchen areas.

**Thermostat (LIN28m-600, LIN28md-600 models only)**

Thermostat detects when the heat level rises to an excessive amount and automatically turns the hood on.

**Blower Wheel**

3 speed motor with electronically balanced polymeric centrifugal blower wheel. Rated 120 volts, 60 hz.

**Lighting**

2 - PAR16 type A screw-in base, 45 watt maximum Halogen lamps (included).

**Ducting Options**

Vertical outlet only. Vertical or Horizontal ducting transition achieved through vertical or horizontal duct adapter (vertical adapter included) specified for size of motor.

**Filters**

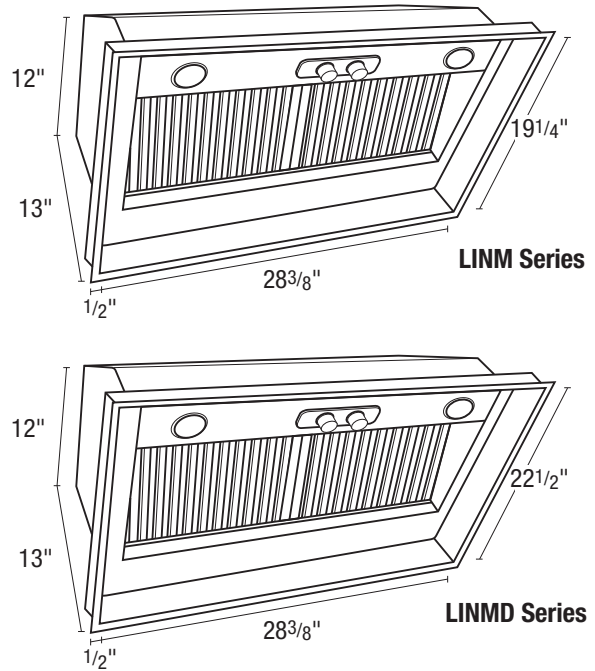
Grease Baffles: Dishwasher safe, Stainless Steel baffles (included).

**Available Finishes**

Brushed Stainless Steel - #4 finish

**Opening Size**

LIN28m: 28<sup>3</sup>/<sub>8</sub>" x 19<sup>1</sup>/<sub>4</sub>" (Fits cabinets 30" wide)  
 LIN28md: 28<sup>3</sup>/<sub>8</sub>" x 22<sup>1</sup>/<sub>2</sub>" (Fits cabinets 30" wide)



NOTE: 1/2" wide trim flange around the entire perimeter of the face plate

**EXPANDED PERFORMANCE**

Air Flow - CFM	Static Pressure (inches of w.g.)						Sones @ .1 SP	Fan Speed RPM	Blower Watts	Full Load Amps
	0	0.1	0.15	0.25	0.3	0.375				
<b>300 CFM Blower</b>	315	300	292	271	259	238	4.5	1490	89.9	2.0
<b>400 CFM Blower</b>	425	400	387	358	340	308	8.0	1711	214.0	3.6
<b>600 CFM Blower</b>	638	600	581	537	510	458	5.5	1492	164.0	1.75

<b>PROJECT</b>							<b>ARCHITECT</b>				
<b>LOCATION</b>							<b>ENGINEER</b>				
<b>CONTRACTOR</b>							<b>SUBMITTED BY</b>			<b>DATE</b>	
FAN NUMBER	MODEL NUMBER	CFM	IN W.C.	RPM	WATTS	AMPS	SONES	QTY	OPTIONAL EQUIPMENT & REMARKS		



**Air King:** 820 Lincoln Avenue  
 West Chester, Pennsylvania 19380-4466  
 Tel: (610) 692-7400 • 877-304-3785  
 Fax: (610) 696-8048