

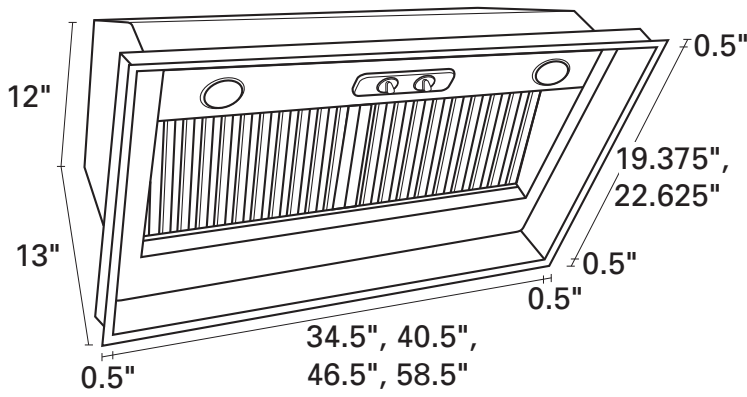


SPECIFICATIONS
LIN
POWER UNIT LINER

LIN34m 600 CFM/5.5 Sones @ 0.10" SP.
LIN40m 600 CFM/5.5 Sones @ 0.10" SP.
LIN46m 1200 CFM/15.0 Sones @ 0.10" SP.
LIN58m 1200 CFM/15.0 Sones @ 0.10" SP.

Professional Series Liner

- **Hood**
Metal body with all exposed areas stainless steel.
- **Lighting**
2 - PAR16 medium screw base, 45 watt maximum Halogen lamps (included) (model LIN58 includes 4).
- **Ducting Options**
Vertical ducting through ducting transition specified for size of motor (included).
Horizontal ducting through ducting transition specified for size of motor (not included).
- **Opening Size**
LIN34: 34.5" x 19.375" (Fits cabinets 36" wide)
LIN40: 40.5" x 19.375" (Fits cabinets 42" wide)
LIN46: 46.5" x 22.625" (Fits cabinets 48" wide)
LIN58: 58.5" x 22.625" (Fits cabinets 60" wide)
- **Filters**
Grease Baffles: Dishwasher safe, Stainless Steel baffles (included).
- **Available Finishes**
Stainless Steel
- **UPC Information**
LIN34: 083162-92570-1
LIN40: 083162-92572-5
LIN46: 083162-92574-9
LIN58: 083162-92576-3



NOTE: 0.5" wide trim flange around the entire perimeter of the face plate

EXPANDED PERFORMANCE											
<i>Air Flow - CFM</i>	<i>Static Pressure (inches of w.g.)</i>								<i>Sones @ .1 SP</i>	<i>Fan Speed RPM</i>	<i>Power Watts</i>
	0	0.1	0.25	0.375	0.5	0.625	1.0	1.25			
LIN34	638	600	537	458	342	143	-	-	5.5	1492	164
LIN40	638	600	537	458	342	143	-	-	5.5	1492	164
LIN46	1222	1200	1168	1142	1117	1090	1004	933	15.0	2617	945
LIN58	1222	1200	1168	1142	1117	1090	1004	933	15.0	2617	945

PROJECT							ARCHITECT				
LOCATION							ENGINEER				
CONTRACTOR							SUBMITTED BY				DATE
FAN NUMBER	MODEL NUMBER	CFM	IN W.C.	RPM	WATTS	AMPS	SONES	QTY	OPTIONAL EQUIPMENT & REMARKS		



U.S.: 820 Lincoln Avenue
West Chester, Pennsylvania 19380-4466
Tel: (610) 692-7400 • 877-304-3785
Fax: (610) 696-8048

Canada: 8 Edvac Drive
Brampton, Ontario L6S 5P2
Tel: (905) 456-2033
Fax: (905) 456-1015