



SPECIFICATIONS
MALLORCA™
 ISLAND RANGE HOODS

600 CFM/14.0 SONES @ 0.10" SP.

• **Dimensions**

Overall bottom projection - 23⁵/₈"
 Height (less chimney) - 9¹/₂"
 Available widths: 35¹/₂"

• **Hood Body**

Brushed stainless steel.

• **Motor**

3 speed, permanently split capacitor motor. Rated 120 volts, 60 hz.

• **Lighting**

Two - GU10 base, MR16, 50 watt halogen lights.

• **Ducting Options**

Vertical ducting: 6" round duct adapter complete with polymeric back draft damper ensuring quiet operation.
 Ductless: Requires charcoal filter (not included).

• **Blower Wheel**

Dual inlet, electronically balanced polymeric centrifugal blower wheel, 5³/₄" width 59 paddles.

• **Mounting**

Ceiling mounted with included mounting bracket. Install 20" to 30" from cooking surface.

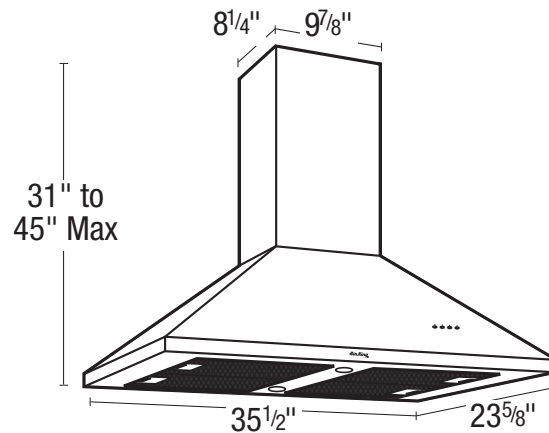
• **Filters**

Grease Filter: BCGF-01 (included).
 Charcoal Filter: BCCF-01 (not included).

• **Available Finishes**

Stainless Steel.

Barcelona®
Collection



EXPANDED PERFORMANCE

	<i>Static Pressure (inches of w.g.)</i>						<i>Sones @ .1 SP</i>	<i>Fan Speed RPM</i>	<i>Power Watts</i>	<i>Amps</i>
	<i>0</i>	<i>0.1</i>	<i>0.125</i>	<i>0.25</i>	<i>0.375</i>	<i>0.5</i>				
Air Flow - CFM	603	600	594	578	557	531	14.0	2560	551.0	2.8

PROJECT							ARCHITECT				
LOCATION							ENGINEER				
CONTRACTOR							SUBMITTED BY			DATE	
FAN NUMBER	MODEL NUMBER	CFM	IN W.C.	RPM	WATTS	AMPS	SONES	QTY	OPTIONAL EQUIPMENT & REMARKS		



Air King: 820 Lincoln Avenue
 West Chester, Pennsylvania 19380-4466
 Tel: (610) 692-7400 • 877-304-3785
 Fax: (610) 696-8048